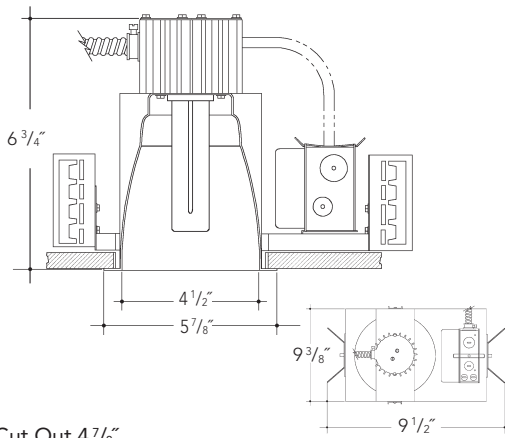


DIMENSIONS



Ceiling Cut Out 4 7/8"

FEATURES

Adjustable height electrogalvanized plated steel mounting ears with cutouts for various mounting methods. Standard bars (included) are innovative and incorporate rigid formed cross sections, joist positioning tabs, integral nails, auxiliary nailholes, T-Bar slots and holes for locking bars to T-Bar using #8 self-tapping screws (supplied by others). Bars extend 14"-24". Ears will also accept Caddy Bar #517B for fast installation in T-Bar ceilings, bars extend 27".

Electronic ballast, Class P, 50/60 HZ-120-277, Programmed Start, thermally protected, 98% Power Factor, 1.00 Ballast Factor, <10% THD, Class A sound rated. Minimum starting temperature -18°C/0°F.

Heavy gauge electrogalvanized steel junction box, prewired and grounded with easy access from below, listed for through branch circuit wiring.

Aluminum heat sink socket cup with Zinc plated steel hardware. Reflector keyslot installation for fast assembly. *UL Listed* socket.

Heavy gauge spun aluminum low iridescent reflector with self trimming white painted flange. Keyslots to secure reflector. Polished Flange available.

Aluminum frame with Integral Plaster Ring.

*Fixture will accept Quad or Triple Tube lamps.

Features



Manufactured and Listed to UL 1598, ETL and CSA standards.
Suitable for Damp Locations.
Wet location under covered ceiling.

ORDERING INFORMATION

EXAMPLE: A4VF113E1-2-4100-SCL

Lamps and Wattage Quad and Triple Tube	Housing	Ballast	Reflector	Finish	Baffle	Options
1x13	A4VF113	E1-2	4100	SCL	BL	F
1x18	A4VF118	E3	Baffled	SGC	WH	PF
		DL	4150	ECL		EM
		DAX1	Wall Wash	WHT		GSK
		DAX2	4101			
		DA7				

Ballast Options

Electronic 120-277 volt is standard
E1-2 - Electronic (120-277V)
E3 - Electronic (347V)

Dimming Ballast Options

DL - Lutron Eco System (120-277V)
DAX1 - Advance Mark X (120V)
DAX2 - Advance Mark X (277V)
DA7 - Advance Mark VII (120-277V)

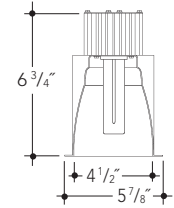
Options Descriptions

F - Fused
PF - Polished Flange
EM - Emergency Battery
GSK - Neoprene Foam Gasketing

REFLECTOR KIT

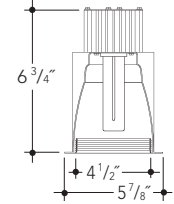
OPEN

1 LT	4" Aperture
4100	Open
Finish Options	
SCL	Specular Clear "Alzak"
SGC	Soft Glow Clear
ECL	Etch Clear
WHT	White Reflector
Options	
PF	Polished Flange



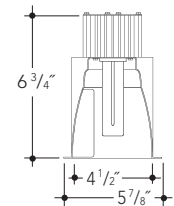
OPEN BAFFLED

1 LT	4" Aperture
4150	Open Baffled
Finish Options	
Specify reflector finish option - see above, then add baffle finish color	
BL	Black Baffle
WH	White Baffle



WALL WASH

1 LT	4" Aperture
4101	Wall Wash
Finish Options	
SCL	Specular Clear "Alzak"
Options	
PF	Polished Flange



Vantage reserves the right to change components, finishes or design details in any manner which does not alter the installed appearance or reduce performance and intended function.

▲ See Options pages for other options and finishes.
Vantage recommends the use of Philips or Sylvania lamps.