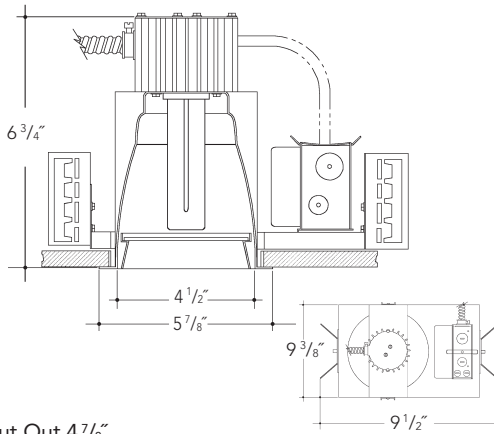


DIMENSIONS



Ceiling Cut Out 4 7/8"

FEATURES

Adjustable height electrogalvanized plated steel mounting ears with cutouts for various mounting methods. Standard bars (included) are innovative and incorporate rigid formed cross sections, joist positioning tabs, integral nails, auxiliary nailholes, T-Bar slots and holes for locking bars to T-Bar using #8 self-tapping screws (supplied by others). Bars extend 14"-24". Ears will also accept Caddy Bar #517B for fast installation in T-Bar ceilings, bars extend 27".

Electronic ballast, Class P, 50/60 HZ-120-277, Programmed Start, thermally protected, 98% Power Factor, 1.00 Ballast Factor, <10% THD, Class A sound rated. Minimum starting temperature -18°C/0°F.

Heavy gauge electrogalvanized steel junction box, prewired and grounded with easy access from below, listed for through branch circuit wiring.

Aluminum heat sink socket cup with Zinc plated steel hardware. Reflector keyslot installation for fast assembly. *UL Listed* socket.

Heavy gauge spun aluminum deep low iridescent reflector with self trimming flanged splay/lens holder with white painted flange. Keyslots to secure reflector. Polished Flange available.

Aluminum frame with integral plaster ring.

*Fixture will accept Quad lamps.

Features



Manufactured and Listed to UL 1598, ETL and CSA standards.
Suitable for Damp Locations.
Wet location under covered ceiling.

ORDERING INFORMATION

EXAMPLE: A4VF113E1-2-4111-SCL

Lamps and Wattage	Housing	Ballast	Reflector	Finish	Options
Quad and Triple Tube 1x13	A4VF113	E1-2 E3 DA7	4111 4114	SCL SGC ECL WHT	F PF EM TR DGSK

Ballast Options

Electronic 120-277 volt is standard
E1-2 - Electronic (120-277V)
E3 - Electronic (347V)

Dimming Ballast Options

DA7 - Advance Mark VII (120-277V)

Options Descriptions

F - Fused
PF - Polished Flange
EM - Emergency Battery
TR - Tamper Resistant
DGSK - Silicone-Sealed Lens & Gasketing

REFLECTOR KIT

LENSED

1 LT

4" Aperture

- 4111 Tempered Clear
- 4114 Tempered Prismatic

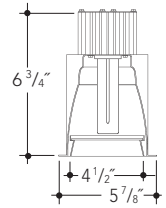
Reflector standard Clear "Alzak".
Other options consult factory.

Splay/Lens Holder Finish Options

- SCL Specular Clear "Alzak"
- SGC Soft Glow Clear
- ECL Etch Clear
- WHT White

Options

- PF Polished Flange



Vantage reserves the right to change components, finishes or design details in any manner which does not alter the installed appearance or reduce performance and intended function.

▲ See Options pages for other options and finishes.
Vantage recommends the use of Philips or Sylvania lamps.