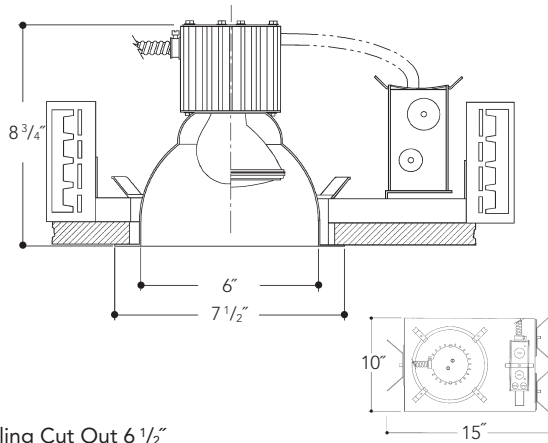


DIMENSIONS



Ceiling Cut Out 6 1/2"

FEATURES

Adjustable height electrogalvanized plated steel mounting ears with cutouts for various mounting methods. Standard bars (included) are innovative and incorporate rigid formed cross sections, joist positioning tabs, integral nails, auxiliary nailholes, T-Bar slots and holes for locking bars to T-Bar using #8 self-tapping screws (supplied by others). Bars extend 14"-24". Ears will also accept Caddy Bar #517B for fast installation in T-Bar ceilings, bars extend 27".

Heavy gauge electrogalvanized steel junction box, prewired and grounded. Listed for through branch circuit wiring. Thermal cutout provided.

Heavy gauge spun aluminum reflector with self trimming white painted flange. Polished Flange available.

Extruded aluminum heat sink socket cup with Zinc plated steel hardware and spring clips for fast assembly. *UL Listed* medium base porcelain socket, with nickel plated brass screw shell.

Electrogalvanized plated steel frame.

Features



Manufactured and Listed to UL 1598, ETL and CSA standards.
Suitable for Damp Locations.
Wet location under covered ceiling.

ORDERING INFORMATION

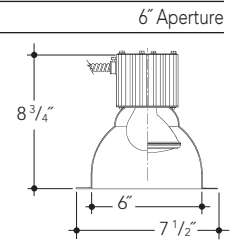
EXAMPLE: A6INC100-6000-SCL

Lamps and Wattage	Housing	Reflector	Finish	Baffle	Options
100 PAR38* (MAX)	A6INC	6000	SCL	BL	R
100 PAR30*	A6INC-GU24	Baffled	SGC	WH	PF
75 PAR16		6052	ECL		PR
* Long Neck Only		Wall Wash	WHT		DWW
		6102			GSK
					277V SD
					347V SD

REFLECTOR KIT

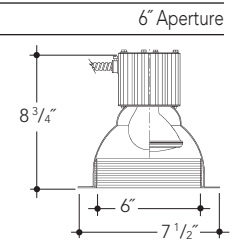
OPEN

- 6000 Open
- Finish Options**
- SCL Specular Clear "Alzak"
- SGC Soft Glow Clear
- ECL Etch Clear
- WHT White Reflector
- Options**
- PF Polished Flange



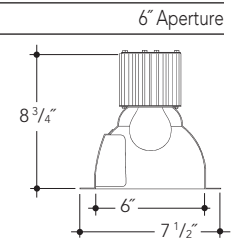
OPEN BAFFLED

- 6052 Open Baffled
- Finish Options**
- Specify reflector finish option - see above, then add baffle finish color
- BL Black Baffle
- WH White Baffle



WALL WASH

- 6102 Wall Wash
- Finish Options**
- SCL Specular Clear "Alzak"
- SGC Soft Glow Clear
- ECL Etch Clear
- WHT White Reflector
- Options**
- DWW Double Wall Wash
- PF Polished Flange



PAR LAMPS NOT AVAILABLE FOR WALL WASH

Options Descriptions

- R - Remodeler
- PF - Polished Flange
- PR - Plaster Ring
- GSK - Neoprene Foam Gasketing
- 277V SD - Step Down Transformer
- 347V SD - Step Down Transformer

Vantage reserves the right to change components, finishes or design details in any manner which does not alter the installed appearance or reduce performance and intended function.

▲ See Options pages for other options and finishes. Suitable for use with LED lamps.