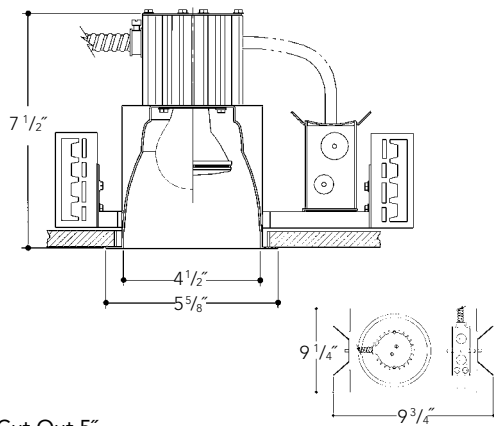


DIMENSIONS



Ceiling Cut Out 5"

FEATURES

Adjustable height electrogalvanized plated steel mounting ears with cutouts for various mounting methods. Standard bars (included) are innovative and incorporate rigid formed cross sections, joist positioning tabs, integral nails, auxiliary nailholes, T-Bar slots and holes for locking bars to T-Bar using #8 self-tapping screws (supplied by others). Bars extend 14"-24". Ears will also accept Caddy Bar #517B for fast installation in T-Bar ceilings, bars extend 27".

Heavy gauge electrogalvanized steel junction box, prewired and grounded. Listed for through branch circuit wiring. Thermal cutout provided.

Extruded aluminum heat sink socket cup with Zinc plated steel hardware set screws for fast assembly. *UL Listed* medium base porcelain socket, with nickel plated brass screw shell.

Heavy gauge spun aluminum low iridescent reflector with self trimming white painted flange. Keyslots to secure reflector. Polished Flange available.

Aluminum frame with Integral Plaster Ring.

Features



Manufactured and Listed to UL 1598, ETL and CSA standards.
Suitable for Damp Locations.
Wet location under covered ceiling.

REFLECTOR KIT

OPEN

6" Height 4" Aperture

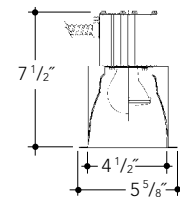
4000 Open

Finish Options

- SCL Specular Clear "Alzak"
- SGC Soft Glow Clear
- ECL Etch Clear
- WHT White Reflector

Options

PF Polished Flange



OPEN BAFFLED

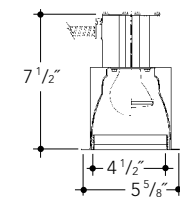
6" Height 4" Aperture

4050 Open Baffled

Finish Options

Specify reflector finish option - see above, then add baffle finish color

- BL Black Baffle
- WH White Baffle



WALL WASH

6" Height 4" Aperture

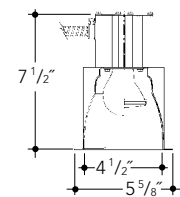
4001 Wall Wash

Finish Options

SCL Specular Clear "Alzak"

Options

PF Polished Flange



ORDERING INFORMATION

EXAMPLE: A4INC100-4000-SCL

Lamps and Wattage	Housing	Reflector	Finish	Baffle	Options
100 A19 (MAX)	A4INC	4000	SCL	BL	PF
75 PAR16	A4INC-GU24	Baffled	SGC	WH	GSK
39 PAR20	PA4INC	4050	ECL		277V SD
	PA4INC-GU24	Wall Wash	WHT		
		4001			

Options Descriptions

- PF - Polished Flange
- GSK - Neoprene Foam Gasketing
- 277V SD - Step Down Transformer

Vantage reserves the right to change components, finishes or design details in any manner which does not alter the installed appearance or reduce performance and intended function.

▲ See Options pages for other options and finishes. Suitable for use with LED lamps.