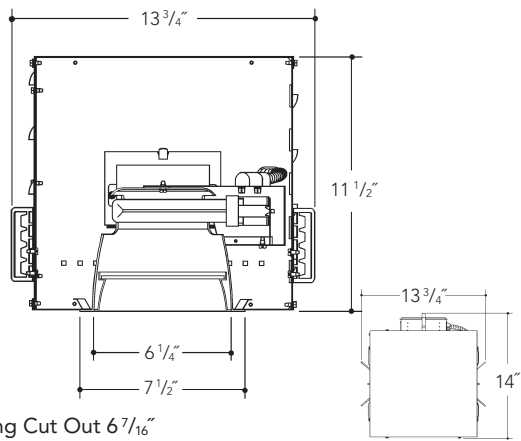


DIMENSIONS



Ceiling Cut Out 6 7/16"

FEATURES

Adjustable height electrogalvanized plated steel mounting ears with cutouts for various mounting methods. Standard bars (included) are innovative and incorporate rigid formed cross sections, joist positioning tabs, integral nails, auxiliary nailholes, T-Bar slots and holes for locking bars to T-Bar using #8 self-tapping screws (supplied by others). Bars extend 14"-24". Ears will also accept Caddy Bar #517B for fast installation in T-Bar ceilings, bars extend 27".

Electronic ballast, Class P, 50/60 HZ-120-277, Programmed Start, thermally protected, 98% Power Factor, 1.00 Ballast Factor, <10% THD, Class A sound rated. Minimum starting temperature -18°C/0°F. *UL Listed* component.

Heavy gauge electrogalvanized steel junction box, prewired and grounded with easy access from below, listed for through branch circuit wiring.

Aluminum socket box with quick assembly set screws *UL Listed* socket.

IC-Rated formed, vented aluminum housing.

Heavy gauge spun aluminum low iridescent reflector with self trimming white painted flange. Polished Flange available.

*Fixture will accept Quad or Triple Tube lamps.

Features



Manufactured and Listed to UL 1598, ETL and CSA standards.
Suitable for Damp Locations.
Wet location under covered ceiling.

ORDERING INFORMATION

EXAMPLE: AIC6HF113E1-2-6611-SCL

Lamps and Wattage	Housing	Ballast	Reflector	Finish	Options
Quad and Triple Tube					
1x13	AIC6HF113	E1-2	6611	SCL	F
1x18 DTT	AIC6HF118	E3	6614	SGC	PF
2x13	AIC6HF213	DL	6616	ECL	EM
2x18 DTT	AIC6HF218	DAX1	6619	WHT	TR
2x26 DTT	AIC6HF226	DAX2	Baffled	Baffle	DGSK
TRT 1 Lamp Only	TRT 1 Lamp	DA7	6621	BL	
1x18 TRT	AIC6HF118		6624	WH	
1x26, 1x32, 1x42 TRT	AIC6HF126-42		6626		

Ballast Options

Electronic 120-277 volt is standard
E1-2 - Electronic (120-277V)
E3 - Electronic (347V)

Dimming Ballast Options

DL - Lutron Eco System (120-277V)
DAX1 - Advance Mark X (120V)
DAX2 - Advance Mark X (277V)
DA7 - Advance Mark VII (120-277V)

Options Descriptions

F - Fused
PF - Polished Flange
EM - Emergency Battery
TR - Tamper Resistant
DGSK - Silicone-Sealed Lens & Gasketing

REFLECTOR KIT

LENSED

IC-Rated 6" Aperture

- 6611 Tempered Clear
- 6614 Tempered Prismatic
- 6616 Fresnel
- 6619 Drop Opal

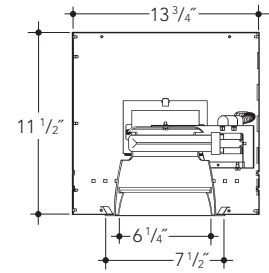
Reflector standard Clear "Alzak".
Other options consult factory.

Splay/Lens Holder Finish Options

- SCL Specular Clear "Alzak"
- SGC Soft Glow Clear
- ECL Etch Clear
- WHT White

Options

- PF Polished Flange



LENSED BAFFLED

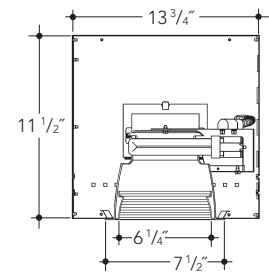
IC-Rated 6" Aperture

- 6621 Tempered Clear
- 6624 Tempered Prismatic
- 6626 Fresnel

Reflector standard Clear "Alzak".
Other options consult factory.

Baffled Finish Options

- BL Black Baffle
- WH White Baffle



Vantage reserves the right to change components, finishes or design details in any manner which does not alter the installed appearance or reduce performance and intended function.

▲ See Options pages for other options and finishes.
Vantage recommends the use of Philips or Sylvania lamps.