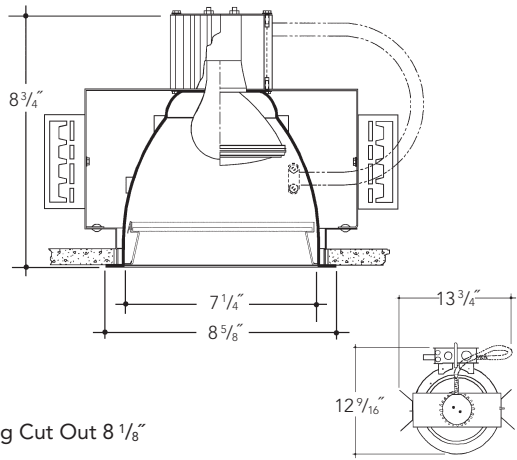


**DIMENSIONS**



Ceiling Cut Out 8 1/8"

**FEATURES**

All aluminum construction with stainless steel and brass hardware for MRI facilities. Mounting frame with integral plaster ring and adjustable height mounting brackets with cutouts for various mounting methods. Mounting bars (included) suitable for use in MRI. Brackets will accept C-Channel or other mounting bars. (supplied by others)

Junction box, prewired and grounded with easy access from below. Listed for through branch circuit wiring. *UL Listed*. Thermal cut-out provided.

Aluminum heat sink socket cup with stainless steel and brass hardware. Keyslots in reflector for easy connection to socket cup. *UL Listed* medium base porcelain socket, with nickel plated brass screw shell.

Heavy gauge spun aluminum reflector with self trimming flanged splay/lens holder and white painted flange. Polished flange available. Safety chain provided. All components non-magnetic.

RFI Filters furnished by others.

**Features**



Manufactured and Listed to UL 1598, ETL and CSA standards.  
Suitable for Damp Locations.  
Wet location under covered ceiling.

**ORDERING INFORMATION**

**EXAMPLE: A8INCAL-AC-A8011-SCL**

Lamps and Wattage	Housing	Reflector	Finish	Options
150 A21 (MAX)	A8INCAL-AC	A8011	SCL	PF
	AC Current	A8014	SGC	TR
	A8INCAL-DC	Baffled	ECL	DGSK
	DC Current	A8021	WHT	
		A8024	Baffle	
			BL	
			WH	

**REFLECTOR KIT**

**LENSED**

Non-Magnetic, MRI 8" Aperture

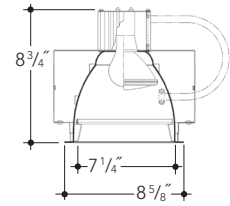
- A8011 Tempered Clear
  - A8014 Tempered Prismatic
- Reflector standard Clear "Alzak".  
Other options consult factory.

**Splay/Lens Holder Finish Options**

- SCL Specular Clear "Alzak"
- SGC Soft Glow Clear
- ECL Etch Clear
- WHT White

**Options**

- PF Polished Flange



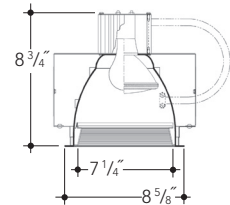
**LENSED BAFFLED**

Non-Magnetic, MRI 8" Aperture

- A8021 Tempered Clear
  - A8024 Tempered Prismatic
- Reflector standard Clear "Alzak".  
Other options consult factory.

**Baffled Finish Options**

- BL Black Baffle
- WH White Baffle



**Options Descriptions**

- PF - Polished Flange
- TR - Tamper Resistant
- DGSK - Silicone-Sealed Lens & Gasketing

Vantage reserves the right to change components, finishes or design details in any manner which does not alter the installed appearance or reduce performance and intended function.

**▲ See Options pages for other options and finishes.**  
**Vantage recommends the use of Philips or Sylvania lamps.**