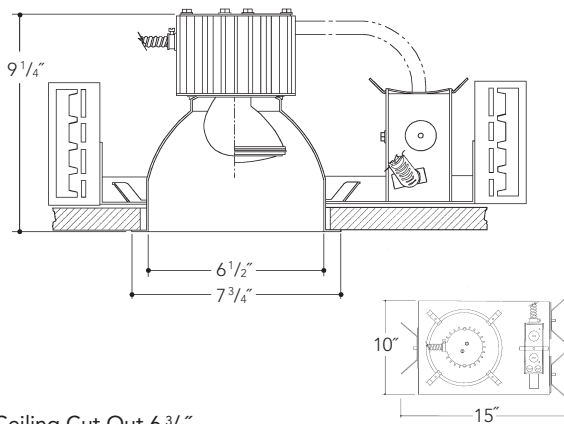


DIMENSIONS



Ceiling Cut Out 6 3/4"

FEATURES

Adjustable height electrogalvanized plated steel mounting ears with cutouts for various mounting methods. Standard bars (included) are innovative and incorporate rigid formed cross sections, joist positioning tabs, integral nails, auxiliary nailholes, T-Bar slots and holes for locking bars to T-Bar using #8 self-tapping screws (supplied by others). Bars extend 14"-24". Ears will also accept Caddy Bar #517B for fast installation in T-Bar ceilings, bars extend 27".

Heavy gauge electrogalvanized steel junction box, prewired and grounded. Listed for through branch circuit wiring. Thermal cutout provided.

Heavy gauge spun aluminum shallow reflector with self trimming white painted flange. Polished Flange available.

Extruded aluminum heat sink socket cup with Zinc plated steel hardware and spring clips for fast assembly. *UL Listed* medium base porcelain socket, with nickel plated brass screw shell.

Electrogalvanized plated steel frame.

Features



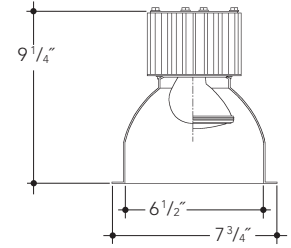
Manufactured and Listed to UL 1598, ETL and CSA standards.
Suitable for Damp Locations.
Wet location under covered ceiling.

REFLECTOR KIT

OPEN

Shallow, PAR38-30 7" Aperture

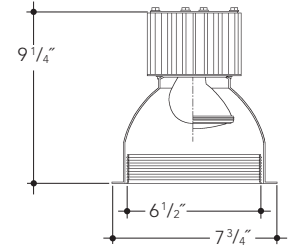
- 7300 Open
- Finish Options**
- SCL Specular Clear "Alzak"
- SGC Soft Glow Clear
- ECL Etch Clear
- WHT White Reflector
- Options**
- PF Polished Flange



OPEN BAFFLED

Shallow, PAR38-30 7" Aperture

- 7350 Open Baffle
- Finish Options**
- Specify reflector finish option - see above, then add baffle finish color
- BL Black Baffle
- WH White Baffle



ORDERING INFORMATION

EXAMPLE: A7INC100-7300-SCL

Lamps and Wattage	Housing	Reflector	Finish	Baffle	Options
150 PAR38 (MAX)	A7INC	7300	SCL	BL	R
150 A21	A7INC-GU24	Baffled	SGC	WH	PF
120 BR40		7350	ECL		PR
100 PAR30			WHT		GSK
					277V SD
					347V SD

Options Descriptions

- R - Remodeler
- PF - Polished Flange
- PR - Plaster Ring
- GSK - Neoprene Foam Gasketing
- 277V SD - Step Down Transformer
- 347V SD - Step Down Transformer

Vantage reserves the right to change components, finishes or design details in any manner which does not alter the installed appearance or reduce performance and intended function.

▲ See Options pages for other options and finishes. Suitable for use with LED lamps.