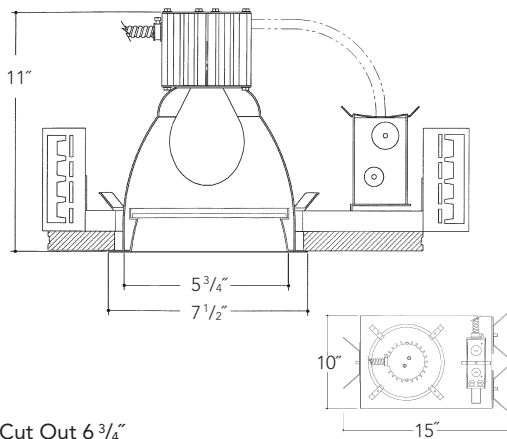


**DIMENSIONS**



Ceiling Cut Out 6 3/4"

**FEATURES**

Adjustable height electrogalvanized plated steel mounting ears with cutouts for various mounting methods. Standard bars (included) are innovative and incorporate rigid formed cross sections, joist positioning tabs, integral nails, auxiliary nailholes, T-Bar slots and holes for locking bars to T-Bar using #8 self-tapping screws (supplied by others). Bars extend 14"-24". Ears will also accept Caddy Bar #517B for fast installation in T-Bar ceilings, bars extend 27".


Heavy gauge electrogalvanized steel junction box, prewired and grounded. Listed for through branch circuit wiring. Thermal cutout provided.

Heavy gauge spun aluminum reflector with self trimming flanged splay/lens holder and white painted flange. Polished Flange available. Safety chain provided.

Extruded aluminum heat sink socket cup with Zinc plated steel hardware and spring steel clips for fast assembly. *UL Listed* medium base porcelain socket, with nickel plated brass screw shell.

Electrogalvanized plated steel frame.

**Features**

 Manufactured and Listed to UL 1598, ETL and CSA standards. Suitable for Damp Locations. Wet location under covered ceiling.

**REFLECTOR KIT**

**LENSED**

- 7011 Tempered Clear
- 7014 Tempered Prismatic
- 7016 Fresnel
- 7019 Drop Opal

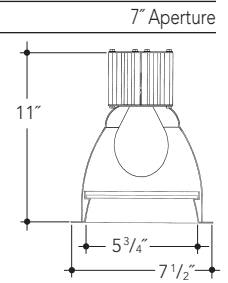
Reflector standard Clear "Alzak". Other options consult factory.

**Splay/Lens Holder Finish Options**

- SCL Specular Clear "Alzak"
- SGC Soft Glow Clear
- ECL Etch Clear
- WHT White

**Options**

- PF Polished Flange



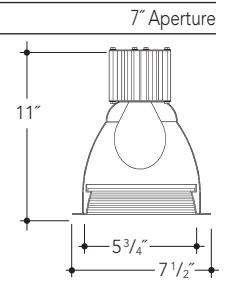
**LENSED BAFFLED**

- 7021 Tempered Clear
- 7024 Tempered Prismatic
- 7026 Fresnel
- 7029 Drop Opal

Reflector standard Clear "Alzak". Other options consult factory.

**Baffled Finish Options**

- BL Black Baffle
- WH White Baffle

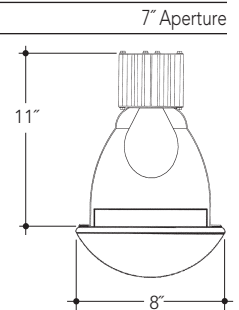


**SHOWER LIGHT**

- 7015 Shower Light

Reflector standard Clear "Alzak". Other options consult factory.

Nonconductive trim for shower application.



**ORDERING INFORMATION**

EXAMPLE: A7INC150-7011-SCL

Lamps and Wattage	Housing	Reflector	Finish	Options
150 A21 (MAX)	A7INC A7INC-GU24	7011	SCL	R
		7014	SGC	PF
	7016	ECL	PR	
	7019	WHT	TR	
	Baffled			DGSK
	7021	Baffle		277V SD
	7024	BL		347V SD
	7026	WH		
	7029			
	Shower Light			
	7015			

**Options Descriptions**

- R - Remodeler
- PF - Polished Flange
- PR - Plaster Ring
- TR - Tamper Resistant
- DGSK - Silicone-Sealed Lens & Gasketing
- 277V SD - Step Down Transformer
- 347V SD - Step Down Transformer

Vantage reserves the right to change components, finishes or design details in any manner which does not alter the installed appearance or reduce performance and intended function.

▲ See Options pages for other options and finishes. Suitable for use with LED lamps.