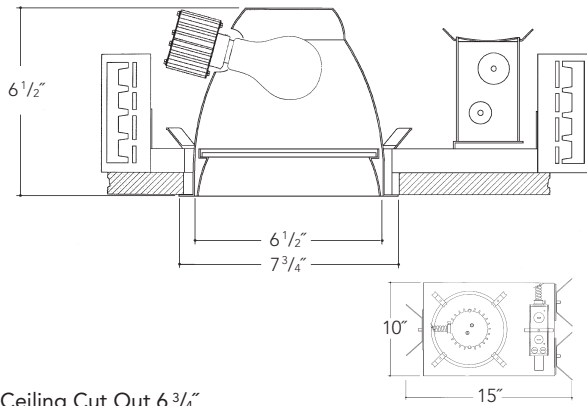


DIMENSIONS



Ceiling Cut Out 6 3/4"

FEATURES

Adjustable height electrogalvanized plated steel mounting ears with cutouts for various mounting methods. Standard bars (included) are innovative and incorporate rigid formed cross sections, joist positioning tabs, integral nails, auxiliary nailholes, T-Bar slots and holes for locking bars to T-Bar using #8 self-tapping screws (supplied by others). Bars extend 14"-24". Ears will also accept Caddy Bar #517B for fast installation in T-Bar ceilings, bars extend 27".

Heavy gauge electrogalvanized steel junction box, prewired and grounded. Listed for through branch circuit wiring. Thermal cutout provided.

Heavy gauge spun aluminum horizontal reflector with self trimming flanged splay/lens holder and white painted flange. Polished Flange available. Safety chain provided.

Extruded aluminum heat sink socket cup with Zinc plated steel hardware for fast assembly. *UL Listed* medium base porcelain socket, with nickel plated brass screw shell.

Electrogalvanized plated steel frame.

Features



Manufactured and Listed to UL 1598, ETL and CSA standards.
Suitable for Damp Locations.
Wet location under covered ceiling.

ORDERING INFORMATION

EXAMPLE: A7INC-HOR100-7661-SCL

Lamps and Wattage	Housing	Reflector	Finish	Options
150 A23 (MAX)	A7INC-HOR	7661	SCL	R
150 A21	A7INC-HOR-GU24	7664	SGC	PF
100 A19		7666	ECL	PR
		Baffled	WHT	TR
		7671	Baffle	DGSK
		7674	BL	277V SD
		7676	WH	347V SD

REFLECTOR KIT

LENSED

Horizontal 7" Aperture

- 7661 Tempered Clear
- 7664 Tempered Prismatic
- 7666 Fresnel

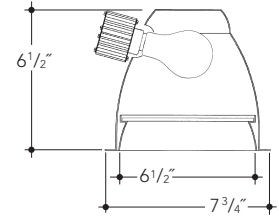
Reflector standard Clear "Alzak".
Other options consult factory.

Splay/Lens Holder Finish Options

- SCL Specular Clear "Alzak"
- SGC Soft Glow Clear
- ECL Etch Clear
- WHT White

Options

- PF Polished Flange



LENSED BAFFLED

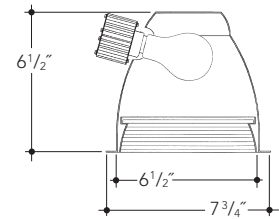
Horizontal 7" Aperture

- 7671 Tempered Clear
- 7674 Tempered Prismatic
- 7676 Fresnel

Reflector standard Clear "Alzak".
Other options consult factory.

Baffled Finish Options

- BL Black Baffle
- WH White Baffle



Options Descriptions

- R - Remodeler
- PF - Polished Flange
- PR - Plaster Ring
- TR - Tamper Resistant

- DGSK - Silicone-Sealed Lens & Gasketing
- 277V SD - Step Down Transformer
- 347V SD - Step Down Transformer

Vantage reserves the right to change components, finishes or design details in any manner which does not alter the installed appearance or reduce performance and intended function.

▲ See Options pages for other options and finishes.
Suitable for use with LED lamps.