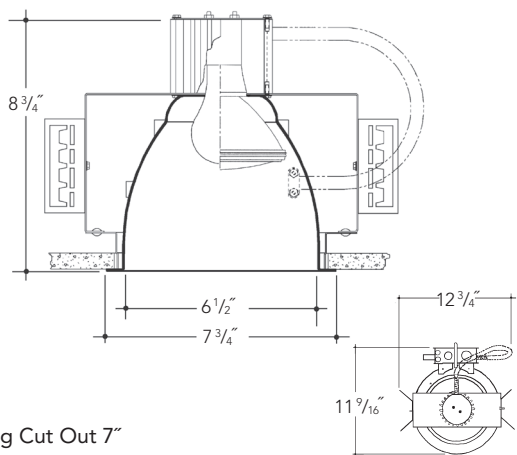


DIMENSIONS



Ceiling Cut Out 7"

FEATURES

All aluminum construction with stainless steel and brass hardware for MRI facilities. Mounting frame with integral plaster ring and adjustable height mounting brackets with cutouts for various mounting methods. Mounting bars (included) suitable for use in MRI. Brackets will accept C-Channel or other mounting bars. (supplied by others)

Junction box, prewired and grounded with easy access from below. Listed for through branch circuit wiring. *UL Listed*. Thermal cut-out provided.

Aluminum heat sink socket cup with stainless steel and brass hardware. Keyslots in reflector for easy connection to socket cup. *UL Listed* medium base porcelain socket, with nickel plated brass screw shell.

Heavy gauge spun aluminum reflector with self trimming flanged splay/lens holder and white painted flange. Polished flange available. Safety chain provided. All components non-magnetic.

RFI Filters furnished by others.

Features



Manufactured and Listed to UL 1598, ETL and CSA standards.
Suitable for Damp Locations.
Wet location under covered ceiling.

REFLECTOR KIT

OPEN

Non-Magnetic, MRI 7" Aperture

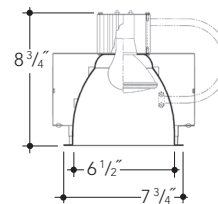
A7000 Open

Finish Options

- SCL Specular Clear "Alzak"
- SGC Soft Glow Clear
- ECL Etch Clear
- WHT White Reflector

Options

PF Polished Flange



OPEN BAFFLED

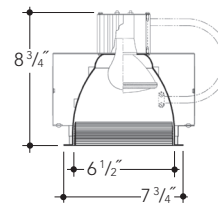
Non-Magnetic, MRI 7" Aperture

A7050 Open Baffle

Finish Options

Specify reflector finish option - see above, then add baffle finish color

- BL Black Baffle
- WH White Baffle



ORDERING INFORMATION

EXAMPLE: A7INCAL-AC-A7000-SCL

Lamps and Wattage	Housing	Reflector	Finish	Baffle	Options
150 A23 (MAX)	A7INCAL-AC	A7000	SCL	BL	PF
	AC Current	Baffled	SGC	WH	DGSK
	A7INCAL-DC	A7050	ECL		
	DC Current		WHT		

Options Descriptions

- PF - Polished Flange
- GSK - Neoprene Foam Gasketing

Vantage reserves the right to change components, finishes or design details in any manner which does not alter the installed appearance or reduce performance and intended function.

▲ See Options pages for other options and finishes.
Vantage recommends the use of Philips or Sylvania lamps.