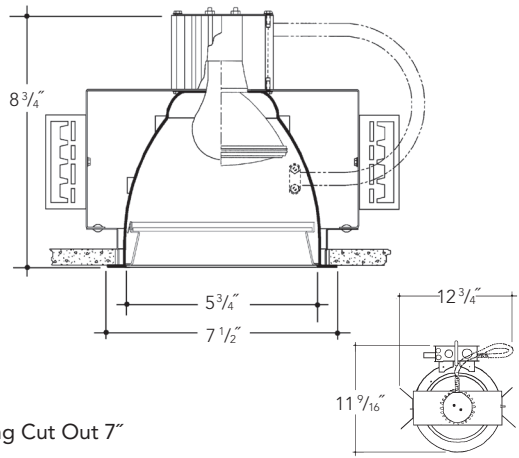


DIMENSIONS



Ceiling Cut Out 7"

FEATURES

All aluminum construction with stainless steel and brass hardware for MRI facilities. Mounting frame with integral plaster ring and adjustable height mounting brackets with cutouts for various mounting methods. Mounting bars (included) suitable for use in MRI. Brackets will accept C-Channel or other mounting bars. (supplied by others)

Junction box, prewired and grounded with easy access from below. Listed for through branch circuit wiring. *UL Listed*. Thermal cut-out provided.

Aluminum heat sink socket cup with stainless steel and brass hardware. Keyslots in reflector for easy connection to socket cup. *UL Listed* medium base porcelain socket, with nickel plated brass screw shell.

Heavy gauge spun aluminum reflector with self trimming flanged splay/lens holder and white painted flange. Polished flange available. Safety chain provided. All components non-magnetic.

RFI Filters furnished by others.

Features



Manufactured and Listed to UL 1598, ETL and CSA standards.
Suitable for Damp Locations.
Wet location under covered ceiling.

ORDERING INFORMATION

EXAMPLE: A7INCAL-AC-A7011-SCL

Lamps and Wattage	Housing	Reflector	Finish	Options
150 A23 (MAX)	A7INCAL-AC	A7011	SCL	PF
	AC Current	A7014	SGC	TR
	A7INCAL-DC	A7016	ECL	DGSK
	DC Current	Baffled	WHT	
		A7021	Baffle	
		A7024	BL	
		A7026	WH	

REFLECTOR KIT

LENSED

Non-Magnetic, MRI

7" Aperture

- A7011 Tempered Clear
- A7014 Tempered Prismatic
- A7016 Fresnel

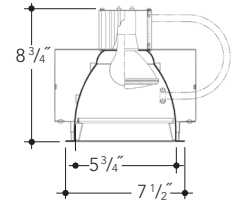
Reflector standard Clear "Alzak".
Other options consult factory.

Splay/Lens Holder Finish Options

- SCL Specular Clear "Alzak"
- SGC Soft Glow Clear
- ECL Etch Clear
- WHT White

Options

- PF Polished Flange



LENSED BAFFLED

Non-Magnetic, MRI

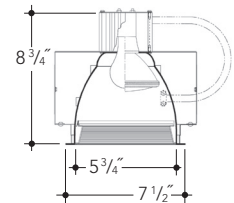
7" Aperture

- A7021 Tempered Clear
- A7024 Tempered Prismatic
- A7026 Fresnel

Reflector standard Clear "Alzak".
Other options consult factory.

Baffled Finish Options

- BL Black Baffle
- WH White Baffle



Options Descriptions

- PF - Polished Flange
- TR - Tamper Resistant
- DGSK - Silicone-Sealed Lens & Gasketing

Vantage reserves the right to change components, finishes or design details in any manner which does not alter the installed appearance or reduce performance and intended function.

▲ See Options pages for other options and finishes.
Vantage recommends the use of Philips or Sylvania lamps.