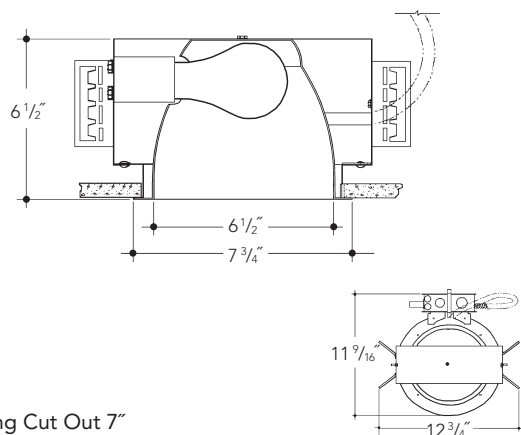


**DIMENSIONS**



Ceiling Cut Out 7"

**FEATURES**

All aluminum construction with stainless steel and brass hardware for MRI facilities. Mounting frame with integral plaster ring and adjustable height mounting brackets with cutouts for various mounting methods. Mounting bars (included) suitable for use in MRI. Brackets will accept C-Channel or other mounting bars. (supplied by others)

Junction box, prewired and grounded with easy access from below. Listed for through branch circuit wiring. *UL Listed*. Thermal cut-out provided.

Aluminum heat sink socket cup with stainless steel and brass hardware. Keyslots in reflector for easy connection to socket cup. *UL Listed* medium base porcelain socket, with nickel plated brass screw shell.

Heavy gauge spun aluminum reflector with self trimming flanged splay/lens holder and white painted flange. Polished flange available. Safety chain provided. All components non-magnetic.

RFI Filters furnished by others.

**Features**



Manufactured and Listed to UL 1598, ETL and CSA standards.  
Suitable for Damp Locations.  
Wet location under covered ceiling.

**ORDERING INFORMATION**

**EXAMPLE: A7INCAL-HOR-AC-7602-SCL**

| Lamps and Wattage | Housing        | Reflector | Finish | Baffle | Options |
|-------------------|----------------|-----------|--------|--------|---------|
| 150 A23 (MAX)     | A7INCAL-HOR-AC | 7602      | SCL    | BL     | PF      |
|                   | AC Current     | Baffled   | SGC    | WH     | GSK     |
|                   | A7INCAL-HOR-DC | 7652      | ECL    |        |         |
|                   | DC Current     |           | WHT    |        |         |

**REFLECTOR KIT**

**OPEN**

Horizontal, Non-Magnetic, MRI 7" Aperture

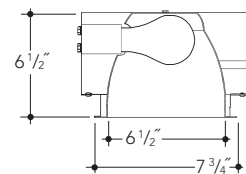
7602 Open

**Finish Options**

- SCL Specular Clear "Alzak"
- SGC Soft Glow Clear
- ECL Etch Clear
- WHT White Reflector

**Options**

- PF Polished Flange



**OPEN BAFFLED**

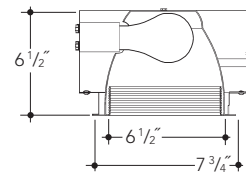
Horizontal, Non-Magnetic, MRI 7" Aperture

7652 Open Baffled

**Finish Options**

Specify reflector finish option - see above, then add baffle finish color

- BL Black Baffle
- WH White Baffle



**Options Descriptions**

- PF - Polished Flange
- GSK - Neoprene Foam Gasketing

Vantage reserves the right to change components, finishes or design details in any manner which does not alter the installed appearance or reduce performance and intended function.

▲ See Options pages for other options and finishes.  
Vantage recommends the use of Philips or Sylvania lamps.