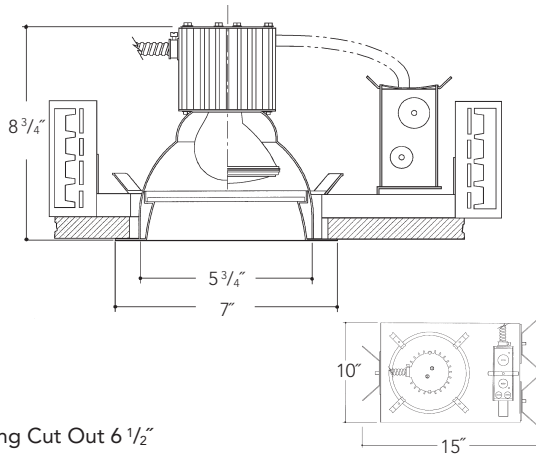


DIMENSIONS



Ceiling Cut Out 6 1/2"

FEATURES

Adjustable height electrogalvanized plated steel mounting ears with cutouts for various mounting methods. Standard bars (included) are innovative and incorporate rigid formed cross sections, joist positioning tabs, integral nails, auxiliary nailholes, T-Bar slots and holes for locking bars to T-Bar using #8 self-tapping screws (supplied by others). Bars extend 14"-24". Ears will also accept Caddy Bar #517B for fast installation in T-Bar ceilings, bars extend 27".

Heavy gauge electrogalvanized steel junction box, prewired and grounded. Listed for through branch circuit wiring. Thermal cutout provided.

Heavy gauge spun aluminum reflector with self trimming flanged splay/lens holder and white painted flange. Polished Flange available. Safety chain provided.

Extruded aluminum heat sink socket cup with Zinc plated steel hardware and spring steel clips for fast assembly. *UL Listed* medium base porcelain socket, with nickel plated brass screw shell.

Electrogalvanized plated steel frame.

Features



Manufactured and Listed to UL 1598, ETL and CSA standards.
Suitable for Damp Locations.
Wet location under covered ceiling.

ORDERING INFORMATION

EXAMPLE: A6INC100-6011-SCL

| Lamps and Wattage | Housing | Reflector | Finish | Options |
|-------------------|------------|-----------|--------|---------|
| 100 (MAX) | A6INC | 6011 | SCL | R |
| A19, PAR20/30/38 | A6INC-GU24 | 6014 | SGC | PF |
| | | 6016 | ECL | PR |
| | | Baffled | WHT | TR |
| | | 6021 | Baffle | DGSK |
| | | 6024 | BL | 277V SD |
| | | 6026 | WH | 347V SD |

REFLECTOR KIT

LENSED

- 6011 Tempered Clear
- 6014 Tempered Prismatic
- 6016 Fresnel

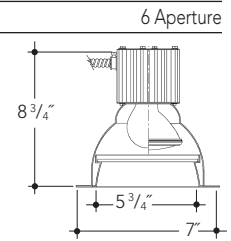
Reflector standard Clear "Alzak".
Other options consult factory.

Splay/Lens Holder Finish Options

- SCL Specular Clear "Alzak"
- SGC Soft Glow Clear
- ECL Etch Clear
- WHT White

Options

- PF Polished Flange



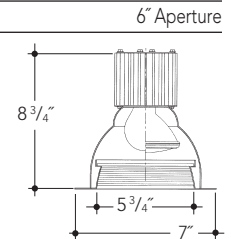
LENSED BAFFLED

- 6021 Tempered Clear
- 6024 Tempered Prismatic
- 6026 Fresnel

Reflector standard Clear "Alzak".
Other options consult factory.

Baffled Finish Options

- BL Black Baffle
- WH White Baffle



Options Descriptions

- R - Remodeler
- PF - Polished Flange
- PR - Plaster Ring
- TR - Tamper Resistant
- DGSK - Silicone-Sealed Lens & Gasketing
- 277V SD - Step Down Transformer
- 347V SD - Step Down Transformer

Vantage reserves the right to change components, finishes or design details in any manner which does not alter the installed appearance or reduce performance and intended function.

▲ See Options pages for other options and finishes.
Suitable for use with LED lamps.