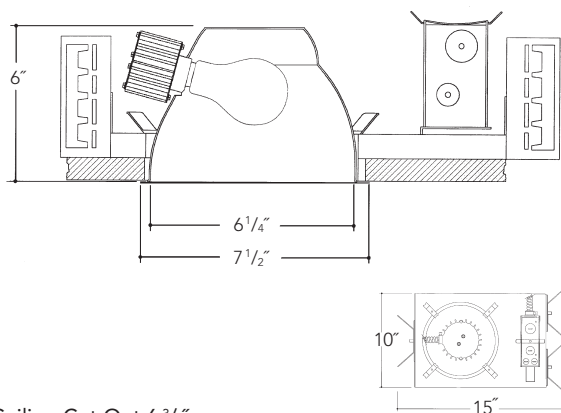


Project Name: _____ Type: _____

DIMENSIONS



Ceiling Cut Out 6 3/4"

FEATURES

Adjustable height electrogalvanized plated steel mounting ears with cutouts for various mounting methods. Standard bars (included) are innovative and incorporate rigid formed cross sections, joist positioning tabs, integral nails, auxiliary nailholes, T-Bar slots and holes for locking bars to T-Bar using #8 self-tapping screws (supplied by others). Bars extend 14"-24". Ears will also accept Caddy Bar #517B for fast installation in T-Bar ceilings, bars extend 27".

Heavy gauge electrogalvanized steel junction box, prewired and grounded. Listed for through branch circuit wiring. Thermal cutout provided.

Heavy gauge spun aluminum horizontal reflector with self trimming white painted flange. Polished Flange available.

Aluminum socket housing with Zinc plated steel hardware for fast assembly. *UL Listed* medium base porcelain socket, with nickel plated brass screw shell.

Electrogalvanized plated steel frame.

Features



Manufactured and Listed to UL 1598, ETL and CSA standards.
Suitable for Damp Locations.
Wet location under covered ceiling.

ORDERING INFORMATION

EXAMPLE: A6INCHOR100-6602-SCL

Lamps and Wattage	Housing	Reflector	Finish	Baffle	Options
100 A19 (MAX)	A6INCHOR A6INCHOR-GU24	6602 Baffled 6652	SCL SGC ECL WHT	BL WH	R PF PR GSK 277V SD 347V SD

REFLECTOR KIT

OPEN

Horizontal		6" Aperture
6602	Open	
Finish Options		
SCL	Specular Clear "Alzak"	
SGC	Soft Glow Clear	
ECL	Etch Clear	
WHT	White Reflector	
Options		
PF	Polished Flange	

OPEN BAFFLED

Horizontal		6" Aperture
6652	Open Baffled	
Finish Options		
Specify reflector finish option - see above, then add baffle finish color		
BL	Black Baffle	
WH	White Baffle	

Options Descriptions

R - Remodeler
PF - Polished Flange
PR - Plaster Ring
GSK - Neoprene Foam Gasketing
277V SD - Step Down Transformer
347V SD - Step Down Transformer

Vantage reserves the right to change components, finishes or design details in any manner which does not alter the installed appearance or reduce performance and intended function.

▲ See Options pages for other options and finishes.
Suitable for use with LED lamps.