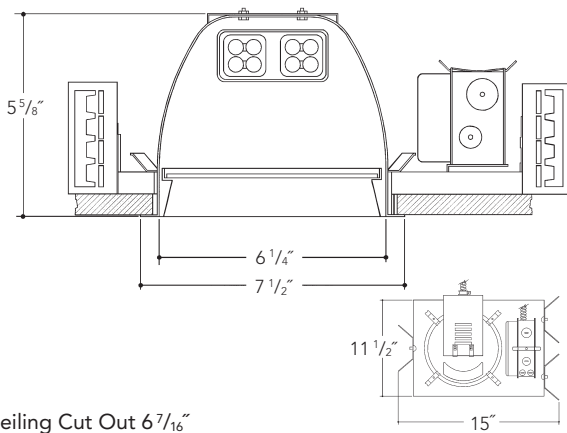


DIMENSIONS



Ceiling Cut Out 6 7/16"

FEATURES

Adjustable height electrogalvanized plated steel mounting ears with cutouts for various mounting methods. Standard bars (included) are innovative and incorporate rigid formed cross sections, joist positioning tabs, integral nails, auxiliary nailholes, T-Bar slots and holes for locking bars to T-Bar using #8 self-tapping screws (supplied by others). Bars extend 14"-24". Ears will also accept Caddy Bar #517B for fast installation in T-Bar ceilings, bars extend 27".

Electronic ballast, Class P, 50/60 HZ-120-277, Programmed Start, thermally protected, 98% Power Factor, 1.00 Ballast Factor, <10% THD, Class A sound rated. Minimum starting temperature -18°C/0°F. *UL Listed* component.

Heavy gauge electrogalvanized steel junction box, prewired and grounded with easy access from below, listed for through branch circuit wiring.

Aluminum socket box with quick assembly set screws *UL Listed* socket.

Heavy gauge spun aluminum low iridescent reflector with self trimming flanged splay/lens holder and white painted flange. Polished Flange available.

Electrogalvanized plated steel frame.

Features



Manufactured and Listed to UL 1598, ETL and CSA standards.
Suitable for Damp Locations.
Wet location under covered ceiling.

ORDERING INFORMATION

EXAMPLE: A6HF113E1-2-6611-SCL

Lamps and Wattage <i>Quad and Triple Tube</i>	Housing	Ballast	Reflector	Finish	Options
1x13	A6HF113	E1-2	6611	SCL	F
1x18 DTT	A6HF118	E3	6614	SGC	R
2x13	A6HF213	DL	6616	ECL	CP
2x18 DTT	A6HF218	DAX1	6619	WHT	PF
2x26 DTT	A6HF226	DAX2	Baffled	Baffle	EM
TRT 1 Lamp Only	TRT 1 Lamp	DA7	6621	BL	TR
1x18 TRT	A6HF118		6624	WH	DGSK
1x26, 1x32, 1x42 TRT	A6HF126-42		6626		
			6629		
			Cross Baffle		
			6665		

Ballast Options

Electronic 120-277 volt is standard
E1-2 - Electronic (120-277V)
E3 - Electronic (347V)

Dimming Ballast Options

DL - Lutron Eco System (120-277V)
DAX1 - Advance Mark X (120V)
DAX2 - Advance Mark X (277V)
DA7 - Advance Mark VII (120-277V)

REFLECTOR KIT

LENSED

- 6611 Tempered Clear
- 6614 Tempered Prismatic
- 6616 Fresnel
- 6619 Drop Opal

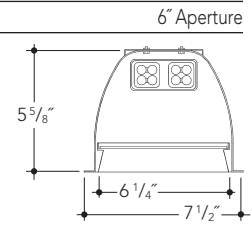
Reflector standard Clear "Alzak".
Other options consult factory.

Splay/Lens Holder Finish Options

- SCL Specular Clear "Alzak"
- SGC Soft Glow Clear
- ECL Etch Clear
- WHT White

Options

- PF Polished Flange



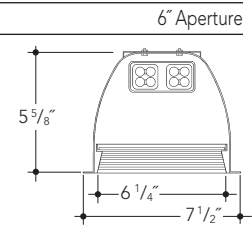
LENSED BAFFLED

- 6621 Tempered Clear
- 6624 Tempered Prismatic
- 6626 Fresnel
- 6629 Drop Opal

Reflector standard Clear "Alzak".
Other options consult factory.

Baffled Finish Options

- BL Black Baffle
- WH White Baffle



CROSS BAFFLE

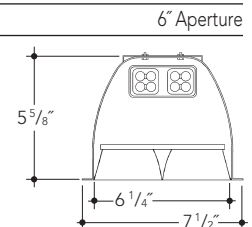
- 6665 Cross Baffle

Finish Options

- SCL Specular Clear "Alzak"
- SGC Soft Glow Clear
- ECL Etch Clear
- WHT White Reflector

Options

- PF Polished Flange



Vantage reserves the right to change components, finishes or design details in any manner which does not alter the installed appearance or reduce performance and intended function.

▲ See Options pages for other options and finishes.
Vantage recommends the use of Philips or Sylvania lamps.