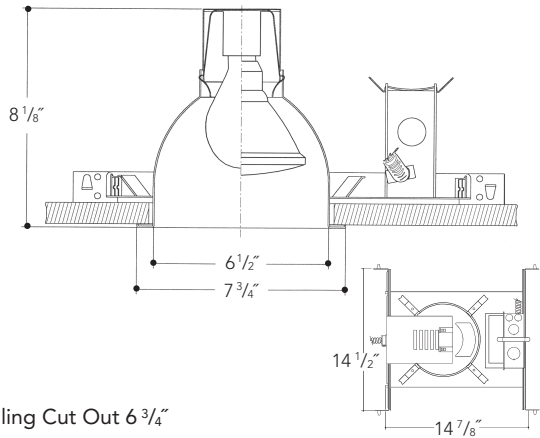


DIMENSIONS



Ceiling Cut Out 6 3/4"

FEATURES

Electrogalvanized steel frame components with spring steel reflector clips for fast assembly of reflector. Innovative, rigid bar hangers incorporate formed cross sections, joist positioning tabs, integral nails, auxiliary nailholes, T-Bar slots and holes for locking bars to T-Bar using #8 self-tapping screws (supplied by others). Bars extend 14"-24". Frame will also accept Caddy Bar #517B for fast installation in drop-in ceilings, bars extend 27".

Heavy gauge electrogalvanized steel junction box, prewired and grounded with easy access from below. Listed for through branch circuit wiring. Thermal cutout provided.

Aluminum socket cup with spring steel snap-in clips for fast assembly. *UL Listed* medium base porcelain socket, with nickel plated brass screw shell.

Heavy gauge spun aluminum shallow low iridescent reflector with self trimming white painted flange. Polished Flange available.

Features



Manufactured and Listed to UL 1598, ETL and CSA standards.
Suitable for Damp Locations.
Wet location under covered ceiling.

ORDERING INFORMATION

EXAMPLE: 7INC-7300-SCL

Lamps and Wattage	Housing	Reflector	Finish	Baffle	Options
150 A21 (MAX)	7INC	7300	SCL	BL	PF
150 PAR38	7INC-GU24	Baffled	SGC	WH	GSK
120 BR40		7350	ECL		277 SD
100 PAR30			WHT		347 SD

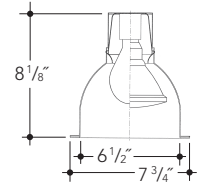
REFLECTOR KIT

OPEN

Shallow 7" Aperture

- 7300 Open
- Finish Options**
- SCL Specular Clear "Alzak"
- SGC Soft Glow Clear
- ECL Etch Clear
- WHT White Reflector

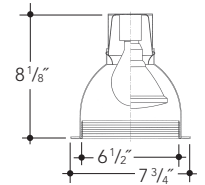
- Options**
- PF Polished Flange



OPEN BAFFLED

Shallow 7" Aperture

- 7350 Open Baffled
- Finish Options**
- Specify reflector finish option - see above, then add baffle finish color
- BL Black Baffle
- WH White Baffle



Options Descriptions

- PF - Polished Flange
- GSK - Neoprene Foam Gasketing
- 277V SD - Step Down Transformer
- 347V SD - Step Down Transformer

Vantage reserves the right to change components, finishes or design details in any manner which does not alter the installed appearance or reduce performance and intended function.

▲ See Options pages for other options and finishes. Suitable for use with LED lamps.