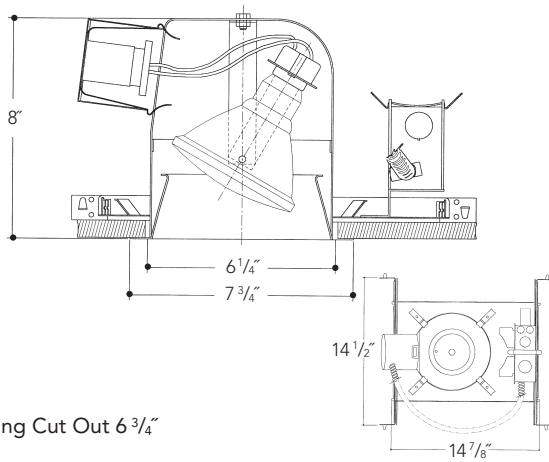


**DIMENSIONS**



Ceiling Cut Out 6 3/4"

**FEATURES**

Electrogalvanized steel frame components with spring steel reflector clips for fast assembly of reflector. Innovative, rigid bar hangers incorporate formed cross sections, joist positioning tabs, integral nails, auxiliary nailholes, T-Bar slots and holes for locking bars to T-Bar using #8 self-tapping screws (supplied by others). Bars extend 14"-24". Frame will also accept Caddy Bar #517B for fast installation in drop-in ceilings, bars extend 27".

Heavy gauge electrogalvanized steel junction box, prewired and grounded with easy access from below. Listed for through branch circuit wiring. Thermal cutout provided.

Glazed porcelain *UL Listed* socket mounted to steel yoke swivel assembly. Yoke tilt is 35° and will swivel 358°.

Heavy gauge hydroformed aluminum housing with spun aluminum aperture cone and self trimming white painted flange.

**Features**



Manufactured and Listed to UL 1598, ETL and CSA standards.  
Suitable for Damp Locations.  
Wet location under covered ceiling.

**ORDERING INFORMATION**

EXAMPLE: 7INC-7810WHT-SCL

Lamps and Wattage	Housing	Reflector	Housing	Finish	Baffle	Options
150 A21 (MAX)	7INC	7810	WHT	SCL	BL	PF
150 PAR38	7INC-GU24	Baffled		SGC	WH	GSK
120 BR40		7850				277 SD
100 PAR30						347 SD

**REFLECTOR KIT**

**OPEN**

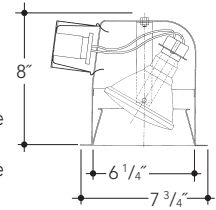
Adjustable 7" Aperture

7810 Open Adjustable

**Finish Options**

- WHT/SCL Specular Clear "Alzak" Cone with White Housing and White Flange
- WHT/SGC Soft Glow Clear Cone with White Housing and White Flange

Polished Flange Not Available.



**OPEN BAFFLED**

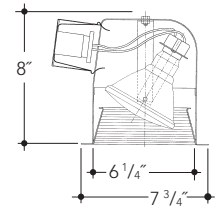
Adjustable 7" Aperture

7850 Open Baffled Adjustable

**Finish Options**

- WHT/BL White Housing with Black Baffle
- WHT/WH White Housing with White Baffle

Polished Flange Not Available.



**Options Descriptions**

- PF - Polished Flange
- GSK - Neoprene Foam Gasketing

- 277V SD - Step Down Transformer
- 347V SD - Step Down Transformer

Vantage reserves the right to change components, finishes or design details in any manner which does not alter the installed appearance or reduce performance and intended function.

▲ See Options pages for other options and finishes. Suitable for use with LED lamps.