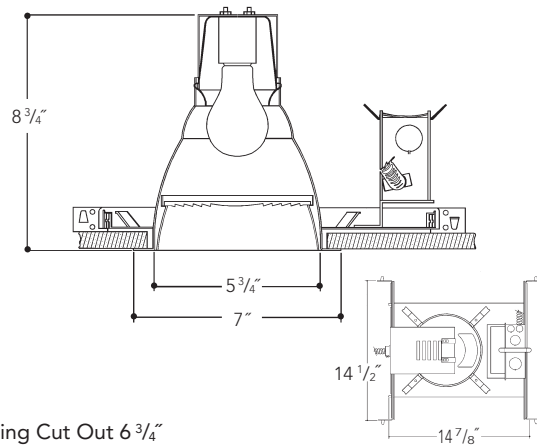


Project Name: _____ Type: _____

DIMENSIONS



Ceiling Cut Out 6 3/4"

FEATURES

Electrogalvanized steel frame components with spring steel reflector clips for fast assembly of reflector. Innovative, rigid bar hangers incorporate formed cross sections, joist positioning tabs, integral nails, auxiliary nailholes, T-Bar slots and holes for locking bars to T-Bar using #8 self-tapping screws (supplied by others). Bars extend 14"-24". Frame will also accept Caddy Bar #517B for fast installation in drop-in ceilings, bars extend 27".

Heavy gauge electrogalvanized steel junction box, prewired and grounded with easy access from below. Listed for through branch circuit wiring. Thermal cutout provided.

Aluminum socket cup with spring steel snap-in clips for fast assembly. *UL Listed* medium base porcelain socket, with nickel plated brass screw shell.

Heavy gauge spun aluminum low iridescent reflector with self trimming flanged splay/lens holder and white painted flange. Polished Flange available. Safety chain provided.

Features



Manufactured and Listed to UL 1598, ETL and CSA standards.
Suitable for Damp Locations.
Wet location under covered ceiling.

ORDERING INFORMATION

EXAMPLE: 6INC-6011-SCL

Lamps and Wattage	Housing	Reflector	Finish	Options	
100 A19 (MAX)	6INC 6INC-GU24	6011	SCL	AT	
		6014	SGC	PF	
		6016	ECL	TR	
		6019	WHT	DGSK	
		Baffled	Baffle	277 SD	
				347 SD	
			6021	BL	
			6024	WH	
			6026		
			6029		

REFLECTOR KIT

LENSED

- 6011 Tempered Clear
- 6014 Tempered Prismatic
- 6016 Fresnel
- 6019 Drop Opal

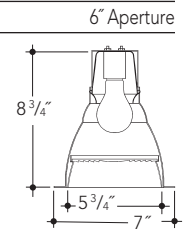
Reflector standard Clear "Alzak".
Other options consult factory.

Splay/Lens Holder Finish Options

- SCL Specular Clear "Alzak"
- SGC Soft Glow Clear
- ECL Etch Clear
- WHT White

Options

- PF Polished Flange



LENSED BAFFLED

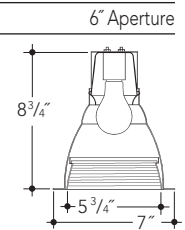
- 6021 Tempered Clear
- 6024 Tempered Prismatic
- 6026 Fresnel
- 6029 Drop Opal

Reflector standard Clear "Alzak".
Other options consult factory.

Baffled Finish Options

- BL Black Baffle
- WH White Baffle

Polished Flange Not Available



Options Descriptions

- AT - Airtight
- PF - Polished Flange
- TR - Tamper Resistant

- DGSK - Silicone-Sealed Lens & Gasketing
- 277V SD - Step Down Transformer
- 347V SD - Step Down Transformer

Vantage reserves the right to change components, finishes or design details in any manner which does not alter the installed appearance or reduce performance and intended function.

▲ See Options pages for other options and finishes.
Suitable for use with LED lamps.