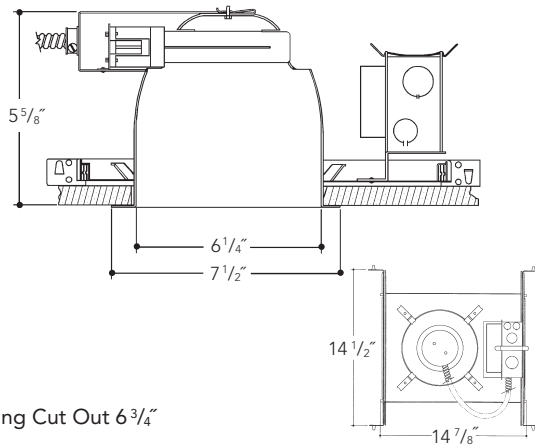


DIMENSIONS



Ceiling Cut Out 6 3/4"

FEATURES

Electrogalvanized steel frame components with spring steel reflector clips for fast assembly of reflector. Innovative, rigid bar hangers incorporate formed cross sections, joist positioning tabs, integral nails, auxiliary nailholes, T-Bar slots and holes for locking bars to T-Bar using #8 self-tapping screws (supplied by others). Bars extend 14"-24". Frame will also accept Caddy Bar #517B for fast installation in drop-in ceilings, bars extend 27".

Electronic ballast, Class P, 50/60 HZ-120-277, Programmed Start, thermally protected, 98% Power Factor, 1.00 Ballast Factor, <10% THD, Class A sound rated. Minimum starting temperature -18°C/0°F. UL Listed component.

Heavy gauge electrogalvanized steel junction box, prewired and grounded with easy access from below. Listed for through branch circuit wiring.

Aluminum socket housing with quick assembly hardware for fast assembly. UL Listed socket and electrical connectors.

Heavy gauge spun aluminum low iridescent reflector with self trimming white painted flange. Polished Flange available.

Features



Manufactured and Listed to UL 1598, ETL and CSA standards.
Suitable for Damp Locations.
Wet location under covered ceiling.

ORDERING INFORMATION

EXAMPLE: 6HF113E1-2-6600-SCL

Lamps and Wattage Quad and Triple Tube	Housing	Ballast	Reflector	Finish	Baffle	Options
1x13	6HF113	E1-2	6600	SCL	BL	F
1x18 DTT	6HF118	E3	Baffled	SGC	WH	PF
2x13	6HF213	DL	6650	ECL		EM
2x18 DTT	6HF218	DAX1	Wall Wash	WHT		EMI
2x26 DTT	6HF226	DAX2	6700			GSK
TRT 1 Lamp Only						
1x18 TRT	6HF118	DA7				
1x26, 1x32, 1x42 TRT	6HF126-42					

Ballast Options

Electronic 120-277 volt is standard
E1-2 - Electronic (120-277V)
E3 - Electronic (347V)

Dimming Ballast Options

DL - Lutron Eco System (120-277V)
DAX1 - Advance Mark X (120V)
DAX2 - Advance Mark X (277V)
DA7 - Advance Mark VII (120-277V)

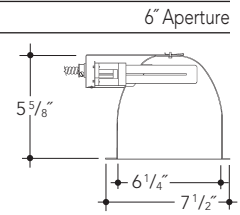
REFLECTOR KIT

OPEN

- 6600 Open
- Finish Options**
- SCL Specular Clear "Alzak"
- SGC Soft Glow Clear
- ECL Etch Clear
- WHT White Reflector

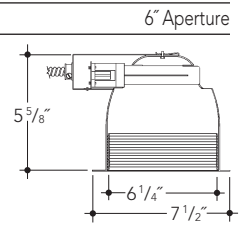
Options

- PF Polished Flange



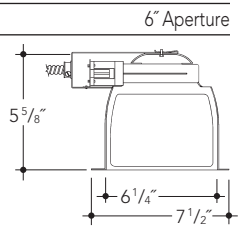
OPEN BAFFLED

- 6650 Open Baffled
- Finish Options**
- Specify reflector finish option - see above, then add baffle finish color
- BL Black Baffle
- WH White Baffle



WALL WASH

- 6700 Wall Wash
- Finish Options**
- SCL Specular Clear "Alzak"
- Options**
- PF Polished Flange



Vantage reserves the right to change components, finishes or design details in any manner which does not alter the installed appearance or reduce performance and intended function.

▲ See Options pages for other options and finishes.
Vantage recommends the use of Philips or Sylvania lamps.