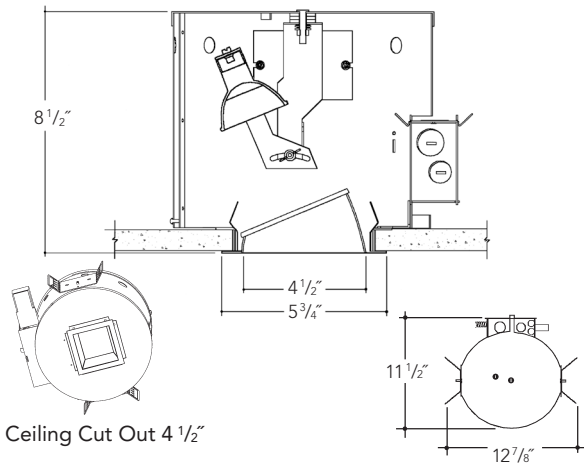


DIMENSIONS



Ceiling Cut Out 4 1/2"

FEATURES

Adjustable height electrogalvanized plated steel mounting ears with cutouts for various mounting methods. Standard bars (included) are innovative and incorporate rigid formed cross sections, joint positioning tabs, integral nails, auxiliary nailholes, T-Bar slots and holes for locking bars to T-Bar using #8 self-tapping screws (supplied by others). Bars extend 14"-24". Ears will also accept Caddy Bar #517B for fast installation in T-Bar ceilings, bars extend 27".

Heavy gauge electrogalvanized steel junction box, prewired and grounded with easy access from below. Listed for through branch circuit wiring.

UL Listed socket with 450°C high temperature leads. Lamp holder designed to accept several different types of lens accessories, clear tempered lens standard. (See Options)

Electronic 75VA 120V or 277V primary, 12V secondary. Removable from below. UL Listed component.

Positive locking, adjustable yolk assembly 45° vertical and 350° horizontal adjustment.

Steel housing wrap with interlocking seams for strength and vents for cool operation. Aluminum housing cap also transfers heat for maximum lamp life. Top relampable.

Square "Alzak" aperture trim, angle cut, die formed, mitered corners, self trimming flange and positive spring retention clips.

Features



Manufactured and Listed to UL 1598, ETL and CSA standards.
Suitable for Damp Locations.
Wet location under covered ceiling.

ORDERING INFORMATION

EXAMPLE: VGS44ADJLV1-VGS4430-SCL

Lamps and Wattage	Housing	Reflector	Finish	Options
MR16 75 (MAX)	VGS44ADJLV1 VGS44ADJLV2	VGS4430 Lensed VGS443711 VGS443714 VGS4437FRO	SCL SGC ECL WHT	PF TR GSK DGSK

Voltage Descriptions

1 - 120 Volts
2 - 277 Volts

Options Descriptions

PF - Polished Flange
TR - Tamper Resistant
GSK - Neoprene Foam Gasketing
DGSK - Silicone-Sealed Lens & Gasketing

REFLECTOR KIT

OPEN

Low Voltage, Adjustable 4" Aperture

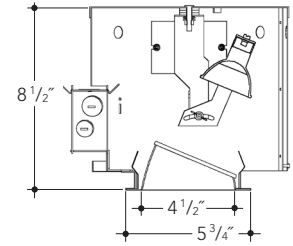
VGS4430 4" x 4" Low Voltage

Finish Options

- SCL Specular Clear "Alzak"
- SGC Soft Glow Clear
- ECL Etch Clear
- WHT White Reflector

Options

- PF Polished Flange



LENSED

Low Voltage, Adjustable 4" Aperture

- VGS443711 Tempered Clear
- VGS443714 Tempered Prismatic
- VGS4437FRO Frosted

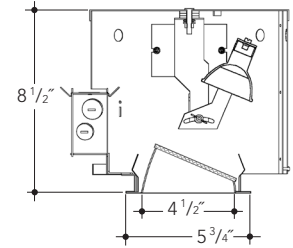
Reflector standard Clear "Alzak".
Other options consult factory.

Splay/Lens Holder Finish Options

- SCL Specular Clear "Alzak"
- SGC Soft Glow Clear
- ECL Etch Clear
- WHT White

Options

- PF Polished Flange



Vantage reserves the right to change components, finishes or design details in any manner which does not alter the installed appearance or reduce performance and intended function.

**▲ See Options pages for other options and finishes.
Vantage recommends the use of Philips or Sylvania lamps.**