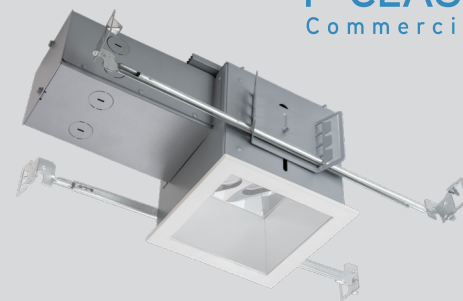


Part #	Prepared By
Project	Notes
Type	
Date	



4"x 4" Square, F-Class Commercial

Open, LED Downlight, 750-5000 Lumens



Description

F-Class Commercial downlights are designed to provide premium features at a commercial value. The Open square reflector provides a medium distribution and sharp light cutoff. Standard 0-10V 10% dimming driver; optional drivers available.

Features & Construction

ELECTRICAL SYSTEM

- 750 - 5000 lumens
- 2700K - 5000K CCT
- 80 CRI with 3 SDCM color consistency (+90 CRI optional)
- Standard 0-10V 10% dimming driver; optional drivers available
- 120 - 277V
- Minimum 50,000 hour lifetime at L70
- -20°C to 30°C Ambient Operating Temperature Range

OPTICS

- Reflectors available in Alzak® and painted finishes
- Distribution is free of streaks, striations and hotspots
- Medium distribution
- 45° Cutoff

FRAME & MOUNTING

- Adjustable mounting ears and junction box included
- Mounting ears accept standard hanger bars 14" - 24" (included)
- Knock outs for through wiring
- US cold-rolled steel housing

Listings

- ETL certified to UL 1598 and UL8750 requirements
- Tested according to LM-79 and LM-80 standards
- Suitable for damp locations; Wet location under covered ceiling
- Buy American Act

Warranty & Notes

- 5-year limited warranty on LED module and driver
- www.vantageltg.com/product-warranty
- Photometric tests performed by an accredited NVLP facility and in accordance to IESNA LM-79-2008 testing procedures
- Insulation cannot be in direct contact with luminaire

Lumens

Nominal Lumens	Delivered Lumens	Wattage	Lumens Per Watt
750	654	9.4	69.57
1100	959	15.4	62.27
1500	1308	21.6	60.56
2000	1744	27.2	64.12
3000	2616	36.42	71.83
4000	3488	45.6	76.49
5000	4360	58.5	74.53

All measured at 3500K with a standard medium distribution
*Actual Wattage/Lumens may vary.

Ordering Information

EXAMPLE: V440FCSQU-0735K-FCSQ44-SGC-HCR

Series	Voltage	Lumens	Kelvin (CCT)	Reflector	Reflector Finish	Options*
V440FCSQ	U - 120V-277V 1 - 120V 2 - 277V *Must provide voltage when optional drivers are selected.	07 - 750 11 - 1100 15 - 1500 20 - 2000 30 - 3000 40 - 4000 50 - 5000	27K - 2700K 30K - 3000K 35K - 3500K 40K - 4000K 50K - 5000K	FCSQ44 Medium Beam Open Reflector	SCL Specular Clear SGC Soft Glow Clear WHT White Matte *All trims supplied standard with white painted flange.	SDM ZDM TDM HCR PF REM

*Options Notes

- SDM - 0-10V 10% dimming driver (standard)
- ZDM - 0-10V 1% dimming driver.
- TDM - Triac (Forward Phase, 120V only) dimming driver.
- HCR - High CRI, 90+ minimum. Not available in 5000 Kelvin.
- PF - Polished Flange
- REM - Emergency battery back-up. Remote test button & indicator light.

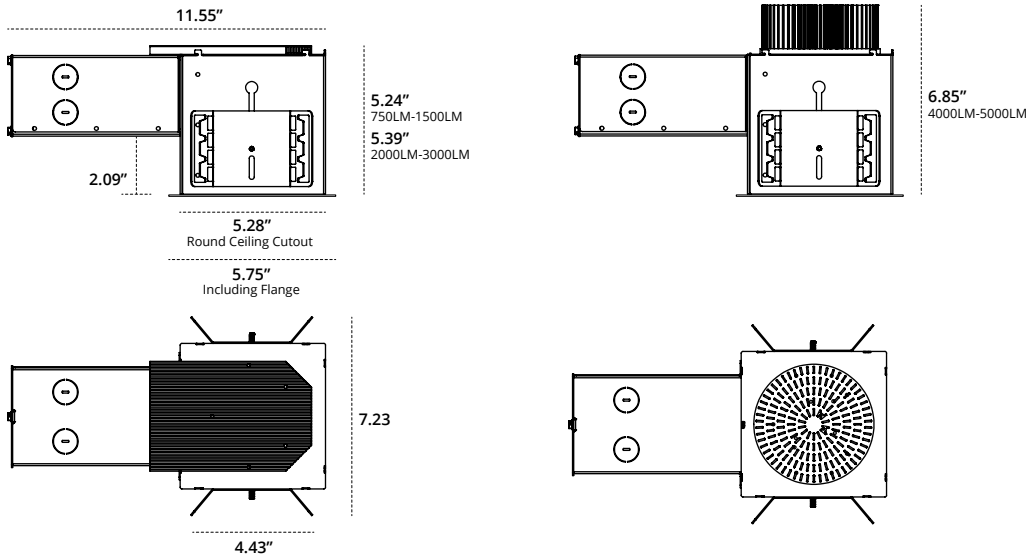
4"x 4" Square, F-Class Commercial

Open, LED Downlight, 750-5000 Lumens

F-CLASS
Commercial

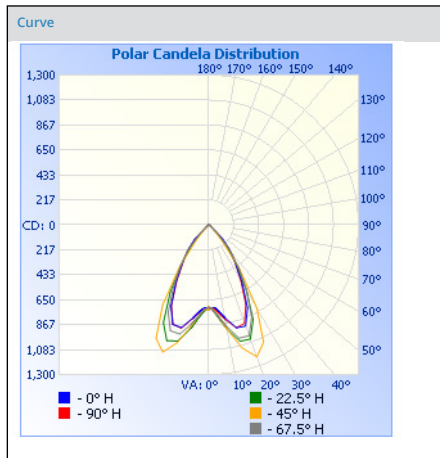
Dimensional Data

New Construction



MEDIUM - MD 3035K

Model	V44OFCRSQ-3035K-FCSQ44-SCL
Lumens	2616
Efficacy	71.83
SC	0.984



Cone of Light			
Beam Angle (°)	Center Beam fc	Beam Width	Beam Width
1.7	249	1.8	1.8
3.3	56.0	3.6	3.6
5.0	28.7	5.4	5.4
6.7	16.0	7.2	7.2
8.3	10.4	9.0	8.9
10.0	7.19	10.8	10.8

Candela Table	
Degrees Vertical	Candela
0.0	719
1.0	719
3.0	720
5.0	731
7.0	763
9.0	802
10.0	821
15.0	925
20.0	933
25.0	795
30.0	577
35.0	398
40.0	281
45.0	168
50.0	36
55.0	22
60.0	13
65.0	7
70.0	4
75.0	4
80.0	4
85.0	3
90.0	3

Zonal Lumen Summary		
Zone	Lumens	% Luminaire
0-30	761.5	64.9
0-40	1031.6	87.9
0-60	1138.1	97
60-90	13.9	1.2
70-100	11.3	1
90-120	9.4	0.8
90-180	21.4	1.8
0-180	1173.4	100

MULTIPLIER

CRI	Multiplier	Kelvin	Multiplier	Reflector Finish	Multiplier
80	1	2700K	0.939	SCL	1
90	0.81	3000K	0.975	SGC	0.95
		3500K	1	WHT	0.87
		4000K	1.035		
		5000K	1.098		

Vantage reserves the right to change components, finishes or design details in any manner which does not alter the installed appearance or reduce performance and intended function.