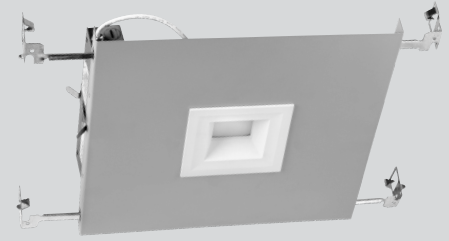


Part #	Prepared By
Project	Notes
Type	
Date	



# 4" x 4" C-Class, LED Downlight

## Lensed Square, 700-2000 lumens



### Description

C-Class small-aperture downlights provide efficient performance and a modern aesthetic at a value. New Construction, IC-Rated and Remodeler housing options available. Square C-Class downlights fit in round ceiling cutouts for easy installation.

### Features & Construction

#### ELECTRICAL SYSTEM

- 700 - 2000 lumens
- 2700K - 4000K CCT
- 80 CRI with 3 SDCM color consistency (+90 CRI optional)
- Standard 0-10V 10% dimming driver; optional drivers available
- 120 - 277V
- Minimum 50,000 hour lifetime at L70
- -20°C to 30°C Ambient Operating Temperature Range

#### OPTICS

- Medium Distribution
- Frosted Polycarbonate Regress Lens
- White Matte or Black Matte finish

#### FRAME & MOUNTING

- Stainless steel spring torsion retaining ears
- Advanced Quick Connect for easy installation
- Driver/junction box listed for through branch wiring
- Uses round ceiling cutout for easy alignment
- Optional New Construction Frame with T-Bars
- Optional IC-Rated Frame with T-Bars

### Listings

- ETL certified to UL 1598 and UL8750 requirements
- Tested according to LM-79 and LM-80 standards
- Suitable for damp locations; Wet location under covered ceiling

### Warranty & Notes

- 5-year limited warranty on LED module and driver
- [www.vantageltg.com/product-warranty](http://www.vantageltg.com/product-warranty)
- Photometric tests performed by an accredited NVLP facility and in accordance to IESNA LM-79-2008 testing procedures
- Insulation cannot be in contact with non-IC versions

### Lumens

Nominal Lumens	Delivered Lumens	Wattage	Lumens Per Watt
700	577	7.7	74.94
1300	1071	20.76	51.59
2000	1647	22.2	74.19

All measured at 3500K with a standard medium distribution  
\*Actual Wattage/Lumens may vary.

### Ordering Information

EXAMPLE: SQ44LEDECU-0735K-CSQ4411FR-WHT-NCFAQ-HCR

Series	Voltage	Lumens	Kelvin (CCT)	Reflector	Flange Finish	Frame	Options*
SQ44LEDEC	1 - 120V 2 - 277V 3 - 347V*  *Step-down transformer	07 - 700 13 - 1300 20 - 2000	27K - 2700K 30K - 3000K 35K - 3500K 40K - 4000K	CSQ4411FR Frosted Regressed Polycarbonate Lens  *All trims supplied standard with white painted flange.	WHT White Matte  BLK Black	NCFAQ New Construction Frame w/ Advanced Quick-Connect  NCFIC New Construction Frame w/ IC Box  RMDL Remodeler	EM HCR TDM XDM ZDM DL-2 LDE1 LDE5 PEQ0

#### \*Options Notes

- EM - Remote Emergency Battery Back-Up
- HCR - High CRI, 90+
- TDM - Triac (Forward-Phase) Dimming
- XDM - 0-10V 0.1% Dimming
- ZDM - 0-10V 1% Dimming
- DL-2 - Lutron 2-Wire HI-Lume Dimming
- LDE1 - Lutron EcoSystem Digital Fade-to-Black 1% Dimming
- LDE5 - Lutron 5-Series EcoSystem 5% Dimming
- PEQ0 - Lutron EcoSystem Fade-to-Black 0.1% Dimming

Vantage reserves the right to change components, finishes or design details in any manner which does not alter the installed appearance or reduce performance and intended function.

# 4"x 4" C-Class, LED Downlight

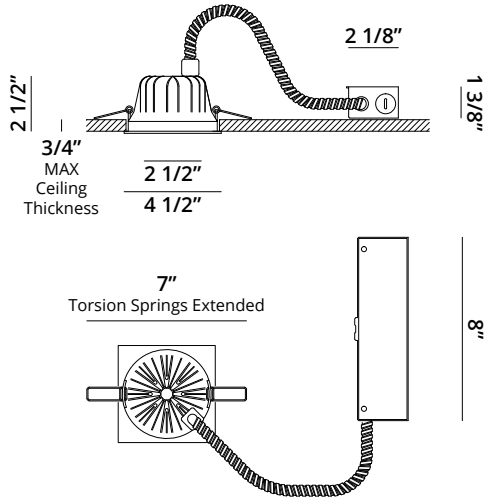
## Lensed Square, 700-2000 lumens



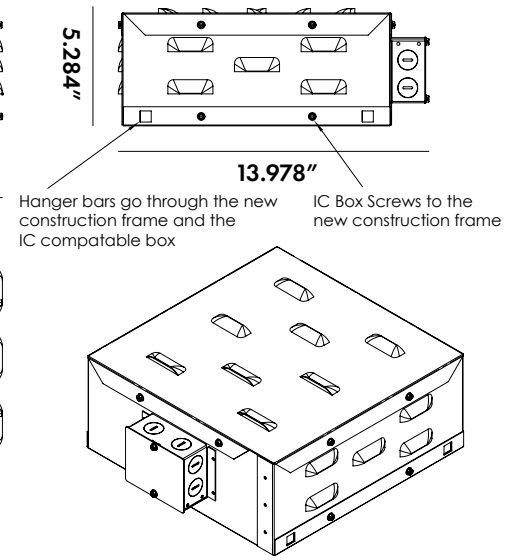
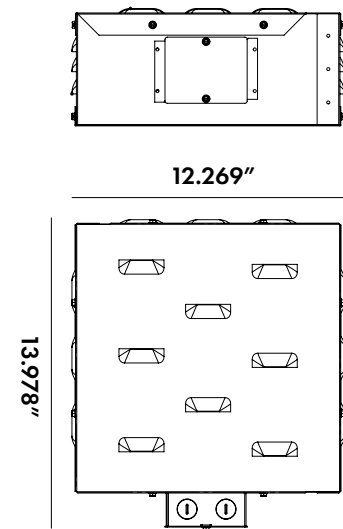
### Dimensional Data

RMDL  
(standard)

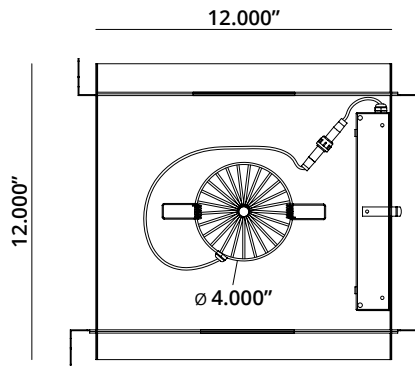
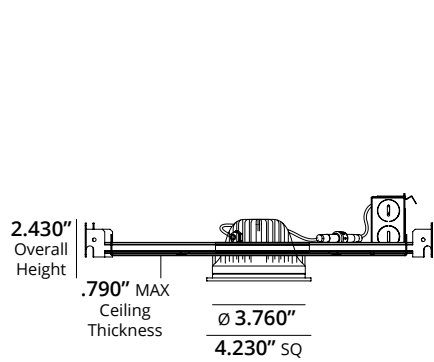
Ceiling Cut Out 3 3/4"



NCFIC  
(IC-RATED)



NCFAC  
(new construction frame)

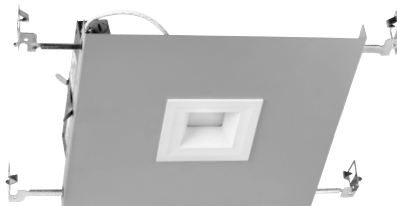


Ceiling Cut Out 3 7/8"

RMDL  
(standard)



NCFAC  
(new construction frame)



\*New construction frame sold separately

NCFIC  
(IC-RATED)



\*IC-RATED box sold separately

Vantage reserves the right to change components, finishes or design details in any manner which does not alter the installed appearance or reduce performance and intended function.

# 4"x 4" C-Class, LED Downlight

## Lensed Square, 700-2000 lumens



### Photometry

#### MEDIUM - MD 64° 1335K

**Model**  
SQ44LEDEC-1335K-MD

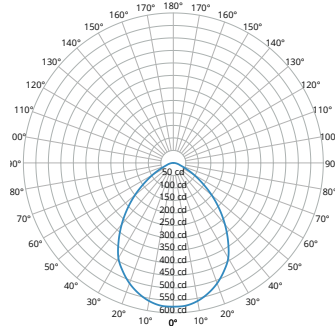
**Lumens**  
1,071

**Watts**  
20.76

**Efficacy**  
51.59

**SC**  
1.14

**Candela Curve**



**Cone of Light**

Mounting Height AFF	FC at Center on Floor	Beam Diameter
8.0'	9 fc	14.4'
10.0'	6 fc	18.0'
12.0'	4 fc	21.6'
14.0'	3 fc	25.2'
16.0'	2 fc	28.8'
20.0'	1 fc	36.0'
24.0'	1 fc	43.1'
30.0'	1 fc	53.9'

**Candela Table**

	0.00°
0.00°	575
5.00°	573
10.00°	561
15.00°	540
20.00°	513
30.00°	439
40.00°	321
50.00°	201
60.00°	96
70.00°	33
80.00°	14
90.00°	0

**Zonal Lumen Summary**

Zone	Lumens	% Luminaire
0° - 30°	433	40%
0° - 40°	671	63%
0° - 60°	993	93%
60° - 90°	78	7%
0° - 20°	215	20%
20° - 50°	654	61%
50° - 70°	176	16%
70° - 90°	25	2%
0° - 90°	1,071	100%
90° - 180°	0	0%
<b>Total</b>	<b>1,071</b>	<b>100%</b>

**Spacing Criterion**

Height	Spacing	Light Level*
8 ft	9.1 ft	~ 9 fc
10 ft	11.4 ft	~ 6 fc
12 ft	13.7 ft	~ 4 fc
8 ft	6.8 ft	~ 16 fc
10 ft	8.5 ft	~ 10 fc
12 ft	10.3 ft	~ 7 fc
8 ft	4.6 ft	~ 36 fc
10 ft	5.7 ft	~ 23 fc
12 ft	6.8 ft	~ 16 fc

\* approximate direct light level at floor based on spacing criterion overlap.