

Part #	Prepared By
Project	Notes
Type	
Date	



# 6" C-Class, LED Adjustable Lensed Round, 700-3000 lumens



## Description

C-Class small-aperture downlights provide efficient performance and a modern aesthetic at a value. New Construction, IC-Rated and Remodeler housing options available. Lensed C-Class adjustable downlights provide 30° vertical and 360° horizontal adjustment ranges.

## Features & Construction

### ELECTRICAL SYSTEM

- 700 - 3000 lumens
- 2700K - 4000K CCT
- 80 CRI with 3 SDCM color consistency (+90 CRI optional)
- Standard 0-10V 10% dimming driver; optional drivers available
- 120 - 277V
- Minimum 50,000 hour lifetime at L70
- -20°C to 30°C Ambient Operating Temperature Range

### OPTICS

- Narrow, Medium, Wide & Flood distributions
- Frosted Polycarbonate Flush Lens
- 30° vertical, 360° horizontal adjustability

### FRAME & MOUNTING

- Stainless steel spring torsion retaining ears
- Advanced Quick Connect for easy installation
- Driver/junction box listed for through branch wiring
- Optional New Construction Frame with T-Bars
- Optional IC-Rated Frame with T-Bars

## Listings

- ETL certified to UL 1598 and UL8750 requirements
- Tested according to LM-79 and LM-80 standards
- Suitable for damp locations; Wet location under covered ceiling
- Buy American Act

## Warranty & Notes

- 5-year limited warranty on LED module and driver
- [www.vantageltg.com/product-warranty](http://www.vantageltg.com/product-warranty)
- Photometric tests performed by an accredited NVLP facility and in accordance to IESNA LM-79-2008 testing procedures
- Insulation cannot be in contact with non-IC versions.

## Lumens

Nominal Lumens	Delivered Lumens	Wattage	Wattage
700	584	7.7	75.84
1300	1084	14.4	75.28
2000	1668	22.2	75.14
3000	2502	30.8	81.23

All measured at 3500K with a standard medium distribution  
\*Actual Wattage/Lumens may vary.

## Ordering Information

EXAMPLE: A6VECLEADAJU-0735K-C601-SGC-MD-WHT-NCFAQ-HCR

Series	Voltage	Lumens	Kelvin (CCT)	Reflector	Reflector Finish	Distribution	Flange Finish	Frame	Options*
A6VECLEADAJ	1 - 120V 2 - 277V 3 - 347V*  *Step-down transformer	07 - 700 13 - 1300 20 - 2000 30 - 3000	27K - 2700K 30K - 3000K 35K - 3500K 40K - 4000K	C601 Frosted Flush Polycarbonate Lens  *All trims supplied standard with white painted flange.	SGC Soft Glow Clear	NW - Narrow 25° MD - Medium 36° WE - Wide 48°	WHT White Matte  BLK Black	NCFAQ New Construction Frame w/ Advanced Quick-Connect  NCFIC New Construction Frame w/ IC Box  RMDL Remodeler	EM HCR TDM XDM ZDM DL-2 LDE1 LDE5 PEQ0

### \*Options Notes

- EM - Remote Emergency Battery Back-Up
- HCR - High CRI, 90+
- TDM - Triac (Forward-Phase) Dimming
- XDM - 0-10V 0.1% Dimming
- ZDM - 0-10V 1% Dimming
- DL-2 - Lutron 2-Wire Hi-Lume Dimming
- LDE1 - Lutron EcoSystem Digital Fade-to-Black 1% Dimming
- LDE5 - Lutron 5-Series EcoSystem 5% Dimming
- PEQ0 - Lutron EcoSystem Fade-to-Black 0.1% Dimming



Narrow - NW



Medium - NW  
Wide - WE

Vantage reserves the right to change components, finishes or design details in any manner which does not alter the installed appearance or reduce performance and intended function.

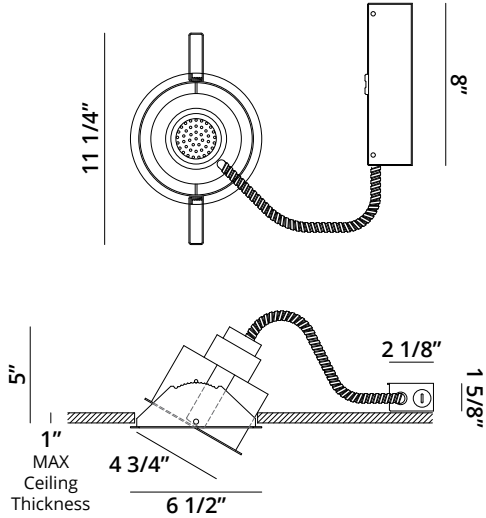
# 6" C-Class, LED Adjustable Lensed Round, 700-3000 lumens



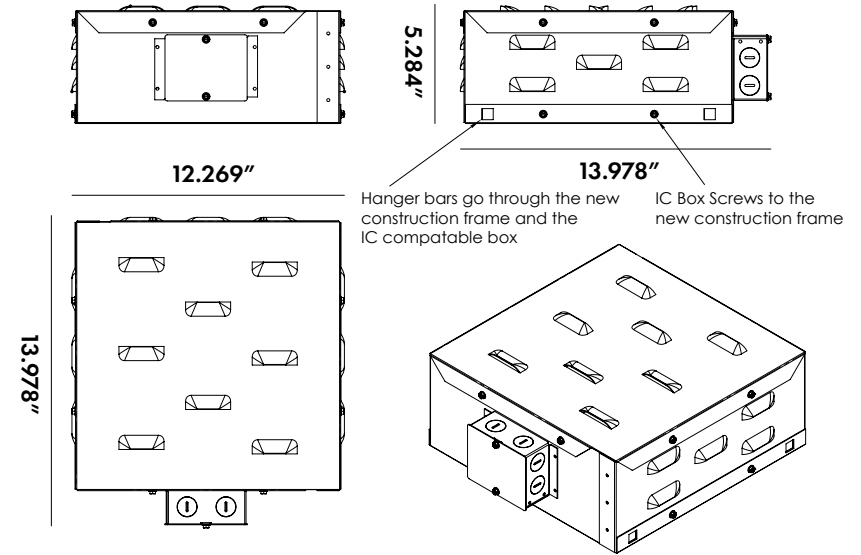
## Dimensional Data

RMDL  
(standard)

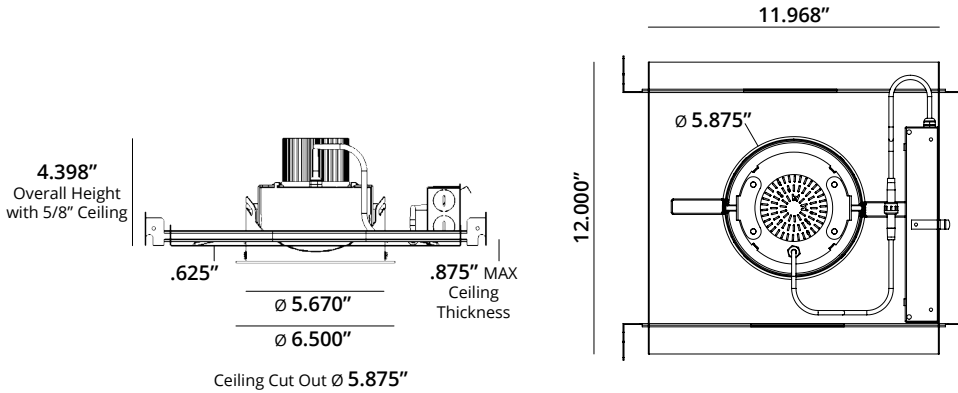
Ceiling Cut Out 6"



NCFIC  
(IC-RATED)



NCFAQ  
(new construction frame)



RMDL  
(standard)



NCFAQ  
(new construction frame)



\*New construction frame  
sold seperately

NCFIC  
(IC-RATED)



\*IC-RATED box  
sold seperately

Vantage reserves the right to change components, finishes or design details in any manner which does not alter the installed appearance or reduce performance and intended function.

# 6" C-Class, LED Adjustable

## Lensed Round, 700-3000 lumens



### Photometry

#### NARROW - NW 25° 1330K

**Model**  
A6VECLELADJ1-1330K-NW

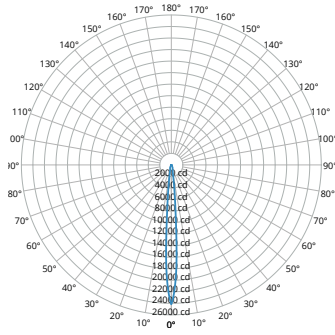
**Lumens**  
1,124

**Watts**  
14.4

**Efficacy**  
78.06

**SC**  
0.14

**Candela Curve**



**Cone of Light**

Mounting Height AFF	FC at Center on Floor	Beam Diameter
8.0 '	377 fc	1.1 '
10.0 '	241 fc	1.4 '
12.0 '	168 fc	1.7 '
14.0 '	123 fc	2.0 '
16.0 '	94 fc	2.3 '
20.0 '	60 fc	2.9 '
24.0 '	42 fc	3.4 '
30.0 '	27 fc	4.3 '

**Candela Table**

	0.00°
0.00°	24,143
5.00°	8,582
10.00°	1,734
15.00°	831
20.00°	647
30.00°	167
40.00°	18
50.00°	2
60.00°	0
70.00°	0
80.00°	0
90.00°	0

**Zonal Lumen Summary**

Zone	Lumens	% Luminaire
0° - 30°	1,077	96%
0° - 40°	1,117	99%
0° - 60°	1,124	100%
60° - 90°	0	0%
0° - 20°	883	79%
20° - 50°	241	21%
50° - 70°	0	0%
70° - 90°	0	0%
0° - 90°	1,124	100%
90° - 180°	0	0%
<b>Total</b>	<b>1,124</b>	<b>100%</b>

**Spacing Criterion**

Height	Spacing	Light Level*
8 ft	1.1 ft	~ 377 fc
10 ft	1.4 ft	~ 241 fc
12 ft	1.7 ft	~ 168 fc
8 ft	0.8 ft	~ 671 fc
10 ft	1.1 ft	~ 429 fc
12 ft	1.3 ft	~ 298 fc
8 ft	0.6 ft	~ 1509 fc
10 ft	0.7 ft	~ 966 fc
12 ft	0.8 ft	~ 671 fc

\* approximate direct light level at floor based on spacing criterion overlap

#### MEDIUM - MD 36° 1330K

**Model**  
A6VECLELADJ1-1330K-MD

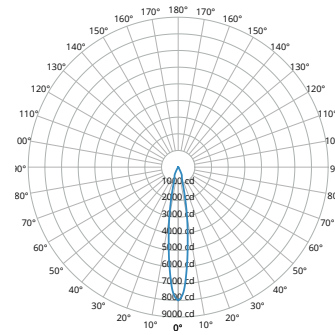
**Lumens**  
1,084

**Watts**  
14.4

**Efficacy**  
75.28

**SC**  
0.27

**Candela Curve**



**Cone of Light**

Mounting Height AFF	FC at Center on Floor	Beam Diameter
8.0 '	125 fc	2.3 '
10.0 '	80 fc	2.9 '
12.0 '	56 fc	3.5 '
14.0 '	41 fc	4.1 '
16.0 '	31 fc	4.7 '
20.0 '	20 fc	5.8 '
24.0 '	14 fc	7.0 '
30.0 '	9 fc	8.8 '

**Candela Table**

	0.00°
0.00°	8,001
5.00°	5,989
10.00°	3,079
15.00°	1,135
20.00°	645
30.00°	162
40.00°	25
50.00°	7
60.00°	0
70.00°	0
80.00°	0
90.00°	0

**Zonal Lumen Summary**

Zone	Lumens	% Luminaire
0° - 30°	1,030	95%
0° - 40°	1,072	99%
0° - 60°	1,084	100%
60° - 90°	0	0%
0° - 20°	835	77%
20° - 50°	247	23%
50° - 70°	2	0%
70° - 90°	0	0%
0° - 90°	1,084	100%
90° - 180°	0	0%
<b>Total</b>	<b>1,084</b>	<b>100%</b>

**Spacing Criterion**

Height	Spacing	Light Level*
8 ft	2.2 ft	~ 125 fc
10 ft	2.7 ft	~ 80 fc
12 ft	3.2 ft	~ 56 fc
8 ft	1.6 ft	~ 222 fc
10 ft	2.0 ft	~ 142 fc
12 ft	2.4 ft	~ 99 fc
8 ft	1.1 ft	~ 500 fc
10 ft	1.4 ft	~ 320 fc
12 ft	1.6 ft	~ 222 fc

\* approximate direct light level at floor based on spacing criterion overlap

#### WIDE - WE 48° 1330K

**Model**  
A6VECLELADJ1-1330K-WE

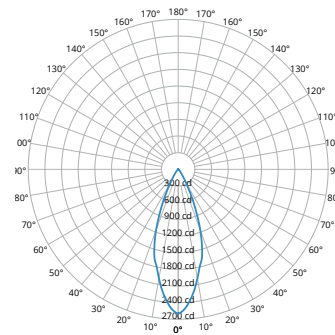
**Lumens**  
1,067

**Watts**  
14.4

**Efficacy**  
74.10

**SC**  
0.6

**Candela Curve**



**Cone of Light**

Mounting Height AFF	FC at Center on Floor	Beam Diameter
8.0 '	41 fc	5.3 '
10.0 '	26 fc	6.7 '
12.0 '	18 fc	8.0 '
14.0 '	13 fc	9.3 '
16.0 '	10 fc	10.7 '
20.0 '	6 fc	13.3 '
24.0 '	5 fc	16.0 '
30.0 '	3 fc	20.0 '

**Candela Table**

	0.00°
0.00°	2,597
5.00°	2,379
10.00°	1,994
15.00°	1,650
20.00°	1,162
30.00°	281
40.00°	63
50.00°	19
60.00°	7
70.00°	1
80.00°	0
90.00°	0

**Zonal Lumen Summary**

Zone	Lumens	% Luminaire
0° - 30°	940	88%
0° - 40°	1,026	96%
0° - 60°	1,063	100%
60° - 90°	4	0%
0° - 20°	651	61%
20° - 50°	402	38%
50° - 70°	14	1%
70° - 90°	0	0%
0° - 90°	1,067	100%
90° - 180°	0	0%
<b>Total</b>	<b>1,067</b>	<b>100%</b>

**Spacing Criterion**

Height	Spacing	Light Level*
8 ft	4.8 ft	~ 41 fc
10 ft	6.0 ft	~ 26 fc
12 ft	7.2 ft	~ 18 fc
8 ft	3.6 ft	~ 72 fc
10 ft	4.5 ft	~ 46 fc
12 ft	5.4 ft	~ 32 fc
8 ft	2.4 ft	~ 162 fc
10 ft	3.0 ft	~ 104 fc
12 ft	3.6 ft	~ 72 fc

\* approximate direct light level at floor based on spacing criterion overlap