

# V-health®

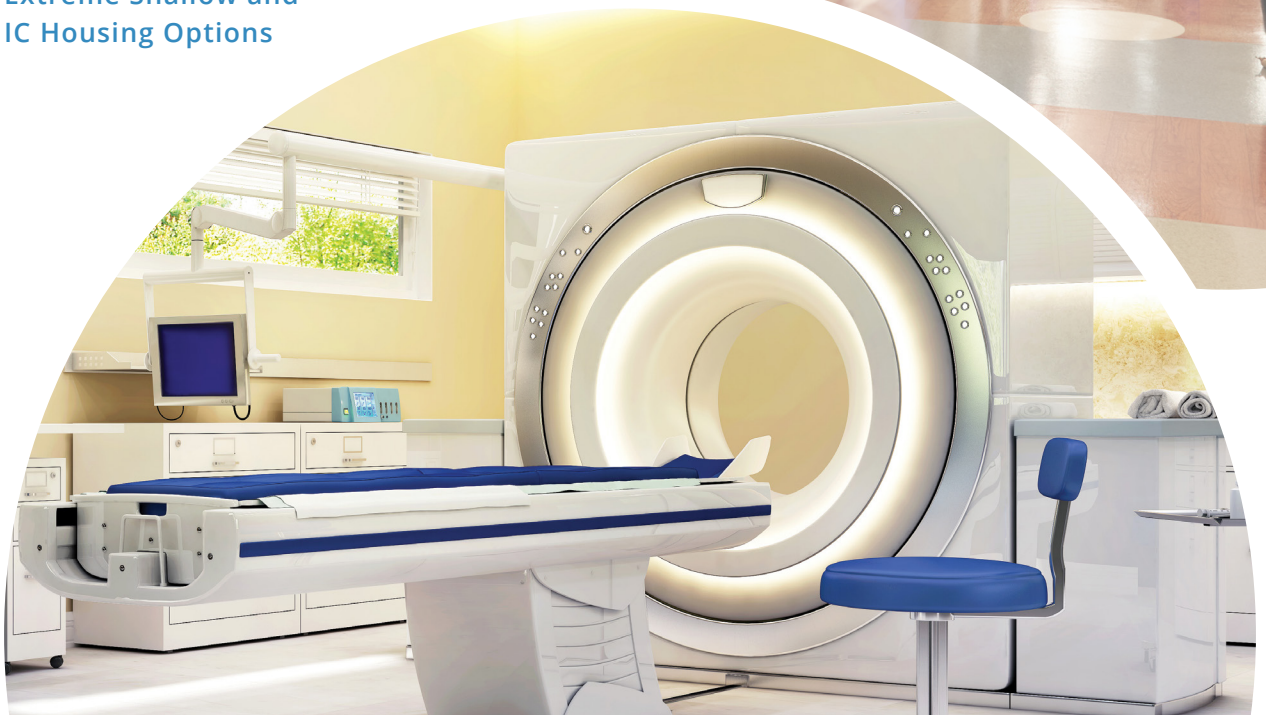
L I G H T I N G

BY VANTAGE LIGHTING



750-7000 Lumens  
4", 6" & 8" Architectural  
& MRI Downlights

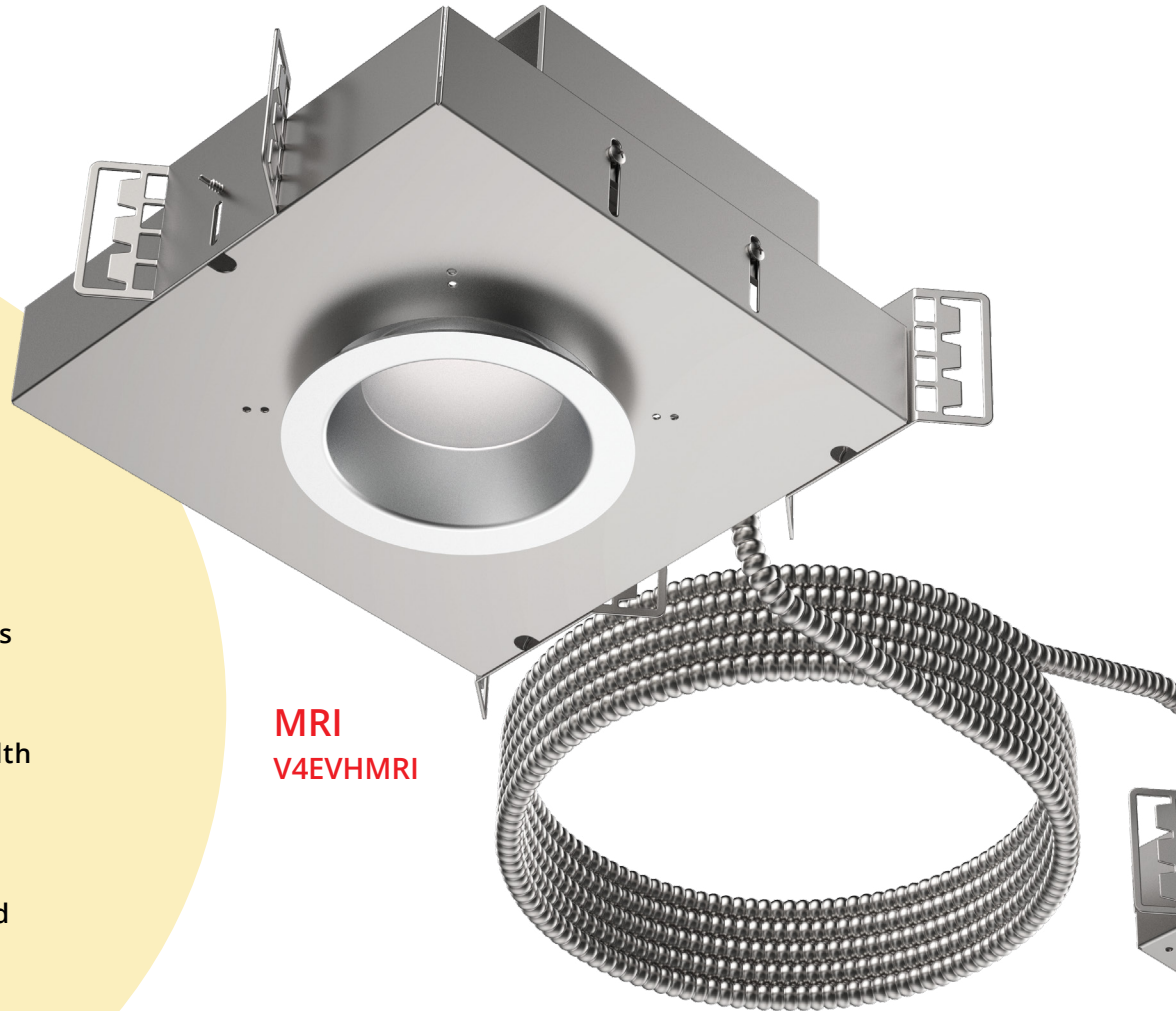
Extreme Shallow and  
IC Housing Options



## Recessed LED

Shallow prescriptions  
for the modern  
healthcare facility

Combining industry-leading 700-7000 lumen output, BioSync™ Color, precision BeamShaper™ optics, specification-grade reflectors and trims, smooth dimming down to black, and antimicrobial finishes, VHealth by Vantage Lighting offers a broad collection of compact, high-reliability recessed LED lighting solutions engineered and tuned to meet visual, biophilic and circadian lighting needs in healthcare environments.



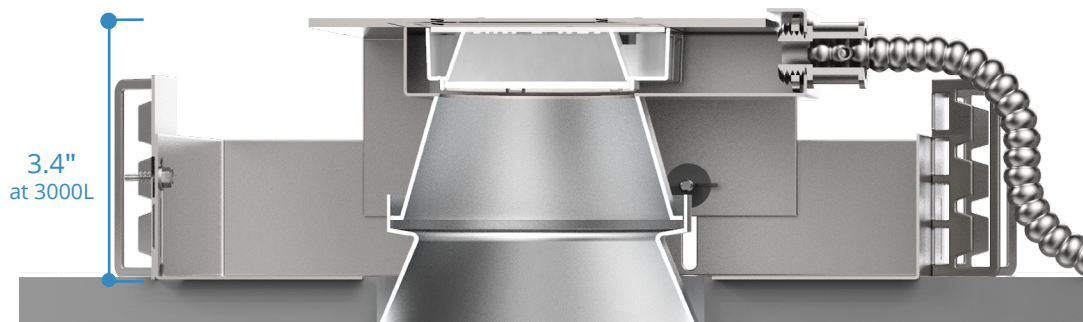
**MRI**  
**V4EVHMRI**

### Laser-cut, non-ferrous MRI Precision-engineered Frame

For high-quality construction at reduced costs while simultaneously minimizing material wastes and associated environmental impact

## Shallow Dimensions.

Starting at merely 3.4" deep, the VHealth family offers the shallowest, high-lumen, recessed LED solution for MRI applications on the market. Meeting shallow plenum requirements and avoiding the numerous building, communication, and medical systems above the ceiling plane are now as simple as specifying VHealth. Also available are IC-rated configurations up to 5000 lumens.



\* Fixture depth = 3.6" at 4000L and 5000L outputs

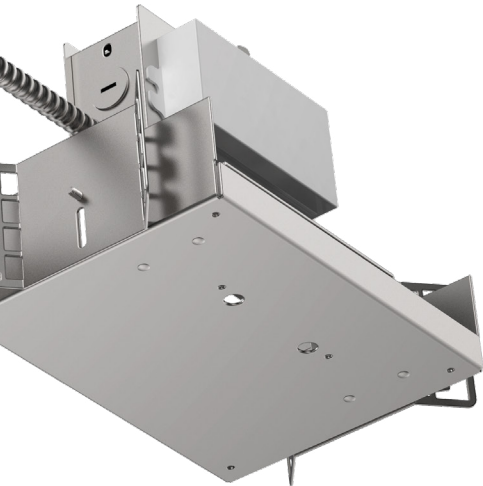


## Advanced Aluminum and Graphite Cooling Technology

For superior thermal management and long system rated life of 50,000 hours at 70% of initial lumen output ( $L_{70} \geq 50,000$ )

## High-Flux LED Engine, 750-7000 Lumens

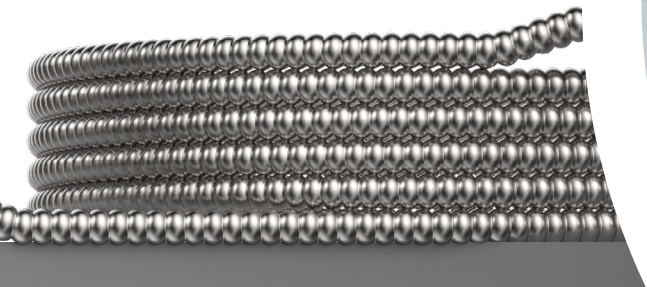
Delivers up to 107 LPW module efficacy and tight color control within 3-step MacAdam Ellipses, ensuring efficient and quality lighting solutions for both standard and high-ceiling applications



## Standard High-Performance LED Driver†

Provides 0-10V dimming down to 1%, for a reliable, flicker-free lighting control in a wide range of architectural settings

† Shown here is a remote driver available with MRI units; each is supplied with a standard 15' whip. For longer fixture-to-driver distances, consult factory.



## Proprietary BeamShaper® Optics

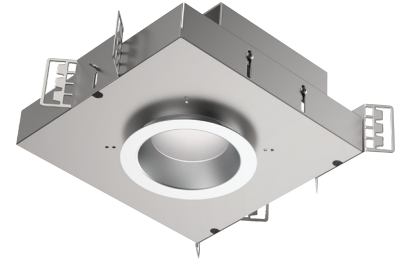
For maximum design flexibility, with 20-80° beam angles available at 20° increments

## Spec-grade Reflector and Trim Finishes

Enable matching ceiling finishes with ease, while the standard anti-microbial finish helps ensure a more sanitary space

## Available EMI Filters

Vantage Lighting offers EMI Filters to add ease to the project requirements. Purchase MRI Lighting and EMI filters from one place. Offering a 2 Port and 4 Port EMI filter helps reduce cost when multiple MRI lights are needed for the space.



## Round

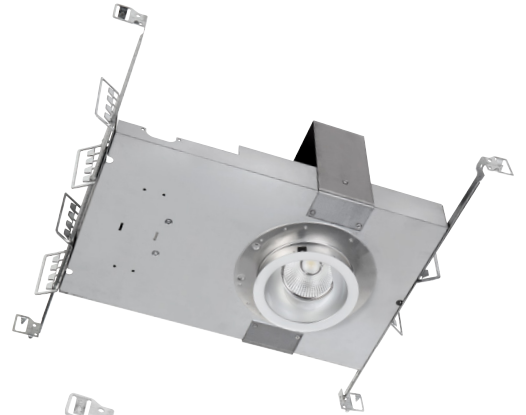
### 4" Round

V4OVH-Open  
V4EVH-Lensed  
VIC4OVH-IC-Rated, Open  
VIC4EVH-IC-Rated, Lensed  
V4OVHMRI-MRI, Open  
V4EVHMRI-MRI, Lensed  
VIC4OVHMRI-MRI, IC-Rated Open  
VIC4EVHMRI-MRI, IC-Rated Lensed



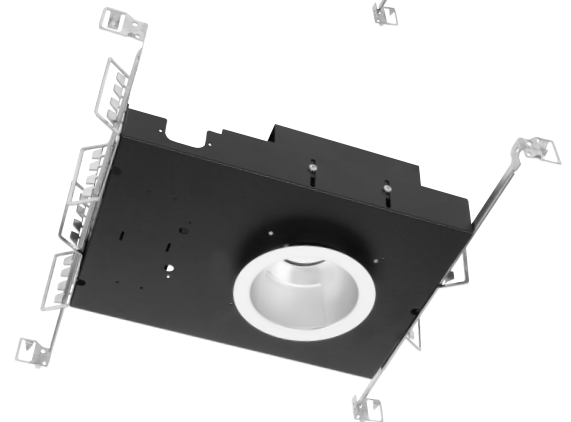
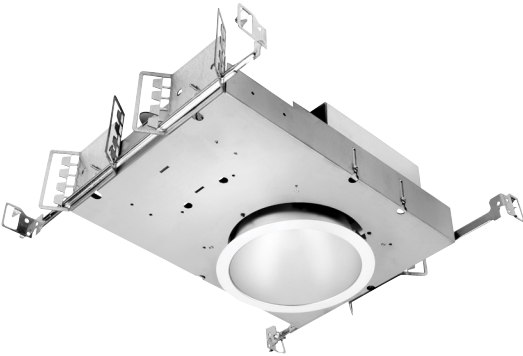
### 4" & 6" Adjustable

V4OVHADJ-Open  
V6OVHADJ-Open  
V8OVHADJ-Open



### 6" Round

V6OVH-Open  
V6EVH-Lensed  
V6WOVH-Wide Beam, Open  
VIC6OVH-IC-Rated, Open  
VIC6EVH-IC-Rated, Lensed  
VIC6WOVH-IC-Rated, Wide Beam  
V6OVHMRI-MRI, Open  
V6EVHMRI-MRI, Lensed



### 8" Round

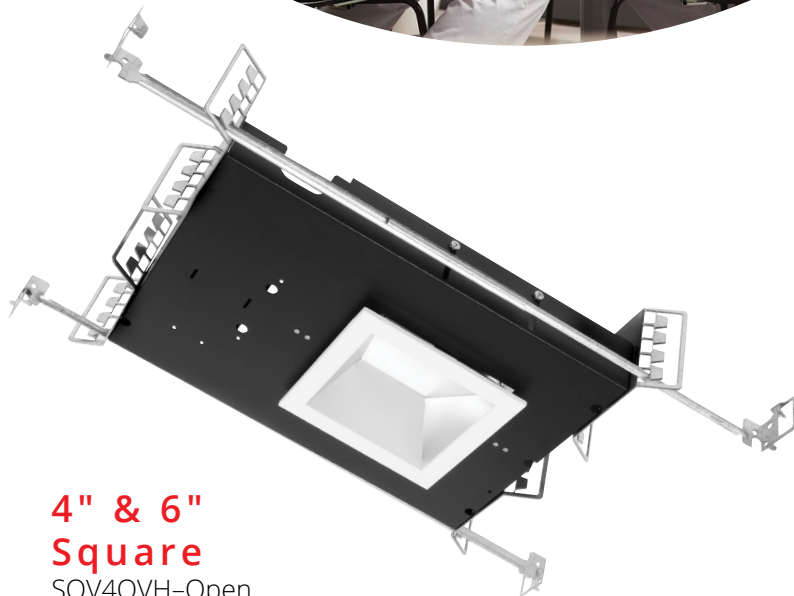
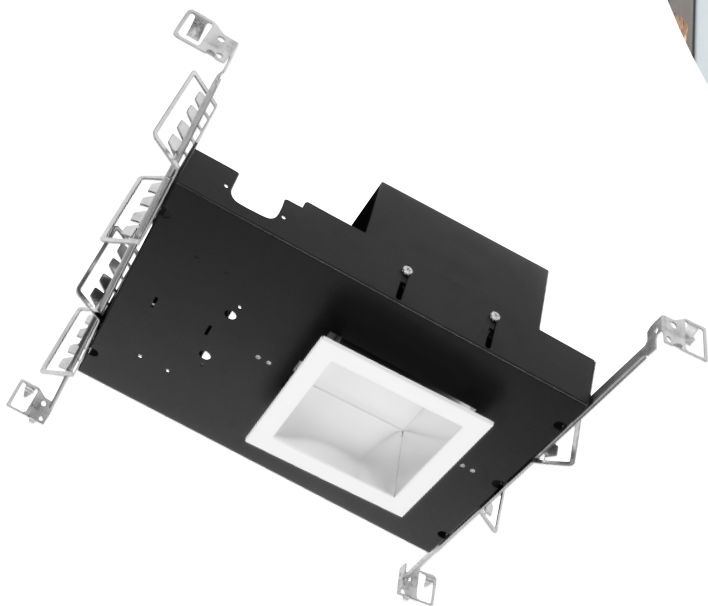
V8OVH-Open  
V8EVH-Lensed  
V8WOVH-Wide Beam, Open  
VIC8OVH-IC-Rated, Open  
VIC8EVH-IC-Rated, Lensed  
VIC8WOVH-IC-Rated, Wide  
V8OVHMRI-MRI, Open  
V8EVHMRI-MRI, Lensed



### 4", 6" & 8" Wall Wash

V4OVHWW-Open  
VIC4OVHWW-IC-Rated  
V4OVHWWMRI-MRI, Open  
VIC4OVHWWMRI-MRI,  
V6OVHWW-Open  
VIC6OVHWW-IC-Rated, Open  
V6OVHWWMRI-MRI, Open  
VIC6OVHWWMRI-MRI, Open  
V8OVHWW-Open  
VIC8OVHWW-IC-Rated, Open  
V8OVHWWMRI-MRI, Open  
VIC8OVHWWMRI-MRI, Open





## Square Wall Wash

- SQV4OVHWW-Open
- SQVIC4OVHWW-IC-Rated, Open
- SQV4OVHWWMRI-MRI, Open
- SQVIC4OVHWWMRI-MRI, IC, Open
- SQV6OVHWW-Open
- SQVIC6OVHWW-IC-Rated, Open
- SQV6OVHWWMRI-MRI, Open
- SQVIC6OVHWWMRI-MRI, IC, Open

## 4" & 6" Square

- SQV4OVH-Open
- SQV4EVH-Lensed
- SQVIC4OVH-IC-Rated, Open
- SQVIC4EVH-IC-Rated, Lensed
- SQV4OVHMRI-MRI, Open
- SQV4EVHMRI-MRI, Lensed
- SQV6OVH-Open
- SQV6EVH-Lensed
- SQVIC6OVH-IC-Rated, Open
- SQVIC6EVH-IC-Rated, Lensed
- SQV6OVHMRI-MRI, Open
- SQV6EVHMRI-MRI, Lensed



All products come with a 5-year limited warranty on LED module and driver  
 Meets 'Buy American' requirements (41 U.S.C. 8301-8305)  
 Photometric tests performed by an accredited NVLP facility and in accordance to IESNA  
 ETL certified to UL 1598 and UL8750 requirements  
 Tested according to LM-79 and LM-80 standards  
 LM-79-2008 testing procedures Suitable for Damp Locations. Wet Location under covered ceiling.  
 Indoor use only.



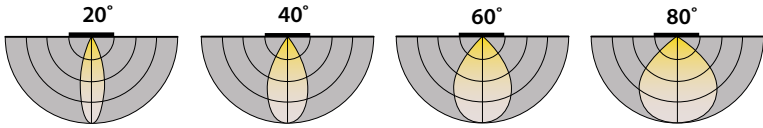


BioSync<sup>®</sup> Tunable White  
**2700K - 6500K**

BioSync<sup>®</sup> Tunable Warm White  
**1800K - 4000K**

**VHealth's BioSync<sup>®</sup> Color** is a simple and affordable tunable white lighting solution designed to bring personalized lighting to healthcare facilities through effortless color temperature adjustability between 2700K–6500K or from 1800K–4000K . The system delivers beautiful, high-quality light at 90 CRI, ensuring true color reproduction. Coupled with an intelligent dual 0-10V control, BioSync is easy to install and delivers smooth, flicker-free dimming all the way down to black. Combined, these features make BioSync the ideal healthcare lighting solution, especially for spaces where:

- there is an opportunity to implement **biophilic design principles** such as replicating indoors the dynamic qualities of daylight—its everchanging intensities and color qualities;
- there is a desire to implement beneficial **circadian lighting** to aid in **circadian entrainment**—the synchronization of our internal biological clock with the natural day and night or dark-light cycle;
- there are **critical visual tasks** performed such as examination of skin tone or tissue color.

		750	1100	1500	2000	3000	4000	5000	6000	7000	
<b>LUMEN OUTPUTS:</b>	IC RATED	●	●	●	●	●	●	●			
	NON-IC	●	●	●	●	●	●	●	●	●	
	MRI IC Rated	●	●	●	●	●	●	●			
	MRI Non-IC	●	●	●	●	●	●	●	●	●	
	Extreme Shallow IC RATED <sup>^</sup>	●	●	●	●	●	●	●			
	Extreme Shallow NON-IC*	●	●	●	●	●	●	●			
<b>CCT:</b>		<b>2700K 3000K 3500K 4000K 5000K</b>									
	BioSync™ Color	2700K - 6500K					1800K - 4000K				
<b>CRI:</b>		85+   90+									
<b>DISTRIBUTIONS:</b>		 <p>Round Adjustables beam options: 27° or 40°</p>									
<b>DIMMING:</b>		0-10V, 0.1%   0-10V, 1%   DMX   EldoLED Dim to Dark, 0% Lutron Hi-Lume® Fade-to-Black, 1%   Lutron 2-wire   Lutron 3-wire   Triac, 10%									
	MRI Dimming	0-10V, 0.1%   Lutron 2-wire   Lutron EcoSystem Fade-to-Black, 1%   Triac, 10%									
<b>LENSES:</b>		Prismatic Acrylic		Clear Glass		Prismatic Glass		Clear Polycarbonate		Frosted Polycarbonate	
<b>FINISHES:</b>		Anti-microbial Soft Glow Clear		Anti-microbial Specular Clear		Anti-microbial White Painted					

\* 6" and 8" fixtures only  
^ 8" fixtures only



181 Narragansett Park Drive  
East Providence, RI 02916  
p: (860) 564 4512

[www.vantageltg.com](http://www.vantageltg.com)

All products come with a 5-year warranty.  
Meets 'Buy American' requirements (41 U.S.C. 8301-8305)  
Manufactured and Listed to UL1598, ETL and CSA standards.  
Suitable for Damp Locations. Wet Location under covered ceiling.  
Indoor use only.

