

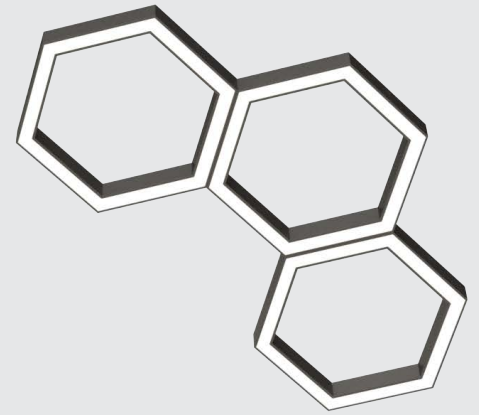
Linear Hex Connector Series

Architectural LED Linking Polygons

Upgrade your lighting experience with this unique and stylish fixture based on nature's strongest shape. The LHC Series allows customers to create their own custom patterns of polygon fixtures to create an interesting look in any space. The LHC Series can be linked together in several ways allowing for infinite design possibilities.

CONSTRUCTION

Housing is laser cut, welded, and fabricated from 22 gauge powder coated cold-rolled steel. Multiple knockouts on fixtures allow for seamless wiring between fixture sets. Specially designed 18 gauge cold-rolled steel joiner brackets make connecting fixtures frictionless.



INDIVIDUAL FIXTURE DIMENSIONS

22" W x 26" L x 3" H

BASE CONFIGURATION DIMENSIONS

46" W x 57" L x 3" H

SPECIFICATIONS

- Customizable patterns
- Pendant mounted with hanging kit options to fit most ceiling types
- Multiple Kelvin temperature options (3000K, 3500K, 4000K, 5000K)
- CRI > 80 (90 CRI available)
- >50,000 hrs of L70 LED life
- Rated for dry and damp locations
- 0-10 Volt dimmable 120-277V
- Power factor >0.90
- 5 year warranty





CATALOG# : _____
 PROJECT : _____
 TYPE : _____

LHC Series

Architectural LED
 Linking Hexagons

ORDERING GUIDE

Factory at your fingertips. Fill in the blanks to create your part number or create a custom configuration.

Sample Part Number: LHC-P-FR-22X26-Q30W-DMV-WH-35K-01-HC605WH

| SERIES | MOUNTING | DIFFUSER | WIDTH X LENGTH ¹ | WATTAGE | DRIVER | |
|--------|--------------|---------------|-----------------------------|--------------|-----------------------------------|--|
| LHC | P Pendant | FR Frosted | 22X26 (-01) | 22"W x 26"L | T30W 30 Watts, 3000 Lumens | DMV 122-277VAC 0-10V Dimming D1MV 122-277VAC 0-10V Dimming (dim to 1%) |
| | | | | | T40W 40 Watts, 4000 Lumens | |
| | | | | | T50W 50 Watts, 5000 Lumens | |
| | | | 46X57 (-03) | 46"W x 57"L | T90W 90 Watts, 9000 Lumens | |
| | | | | | T120W 120 Watts, 12000 Lumens | |
| | | | | | T150W 150 Watts, 15000 Lumens | |
| | | | 41X47 (-01) | 41"W x 47"L | J120W 120 Watts, 12,000 Lumens | |
| | | | | | J144W 144 Watts, 14,400 Lumens | |
| | | | | | J170W 170 Watts, 17,000 Lumens | |
| | | | 82X102 (-03) | 82"W x 102"L | J360W 360 Watts, 36,000 Lumens | |
| | | | | | J432W 432 Watts, 43,200 Lumens | |
| | | | | | J510W 510 Watts, 51,000 Lumens | |

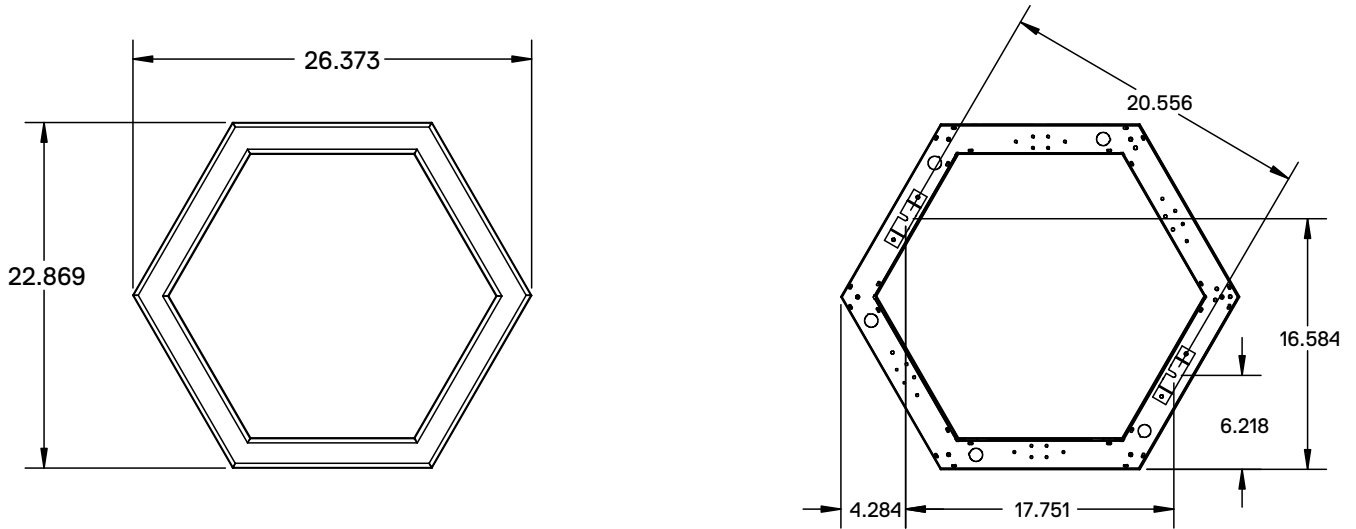
| FINISH ² | CCT ³ | CONFIGURATION | OPTIONS |
|---------------------|-------------------------|-------------------|---|
| WH White | 30K 3000K 80 CRI | -01 Individual | HC605WH Cable kit with 6' cable & 3 wires power feed cable incl. and white canopy |
| BK Black | 35K 3500K 80 CRI | -03 Set of 3 | HC612WH Cable kit with 12' cable & 3 wires power feed cable incl. and white canopy |
| SI Silver | 40K 4000K 80 CRI | | LHCHEXJNRBRKT ² Joiner bracket (included for sets of 3) |
| ** Custom Color | 50K 5000K 80 CRI | | |
| | 930K 3000K 90 CRI | | |
| | 935K 3500K 90 CRI | | |
| | 940K 4000K 90 CRI | | |

Note:

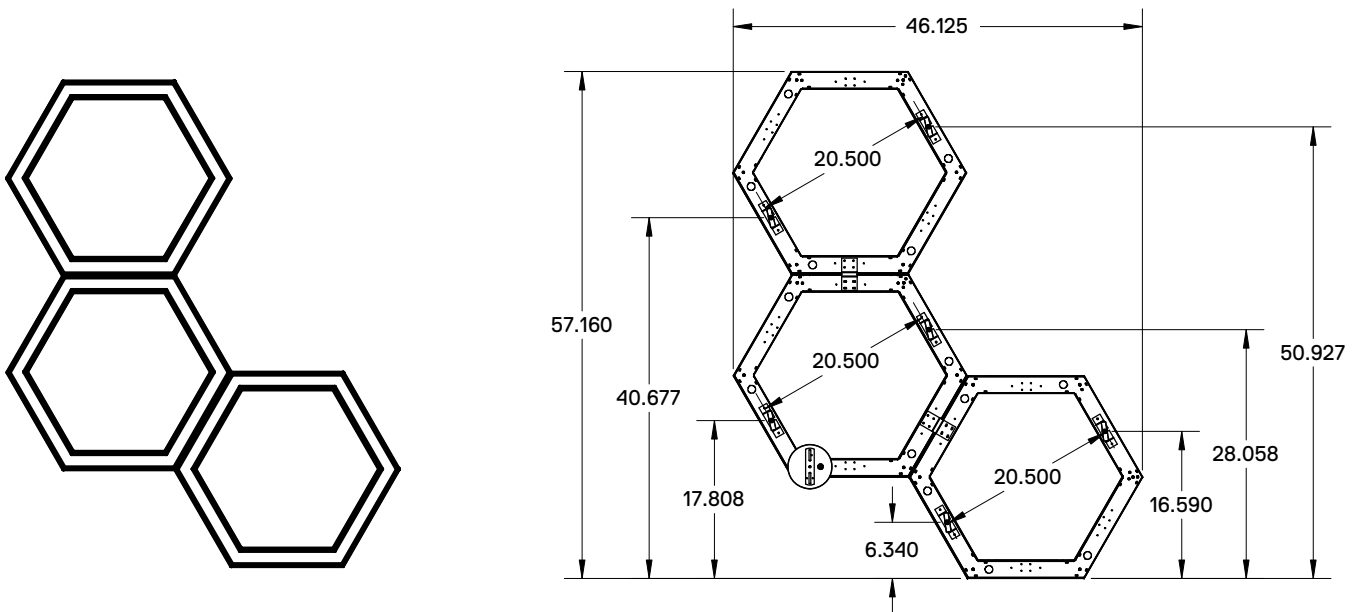
1. Individual fixture & set of 3 fixtures are measured by overall width and length.
2. Joiner brackets included in 3 fixture sets.
3. Consult the factory for 5000K in 90CRI availability.

We reserve the right to change design, materials, LED's and finish in any way that will not alter installed appearance or reduce function and performance.

PRODUCT DIMENSIONS -01 (Individual) Configuration



PRODUCT DIMENSIONS -03 (Set of 3) Configuration

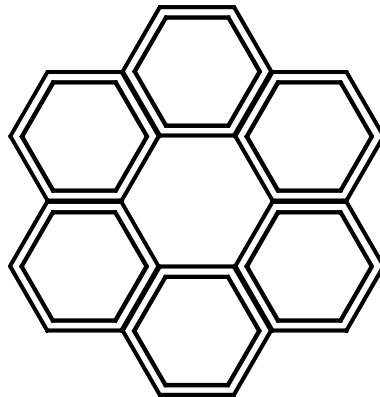
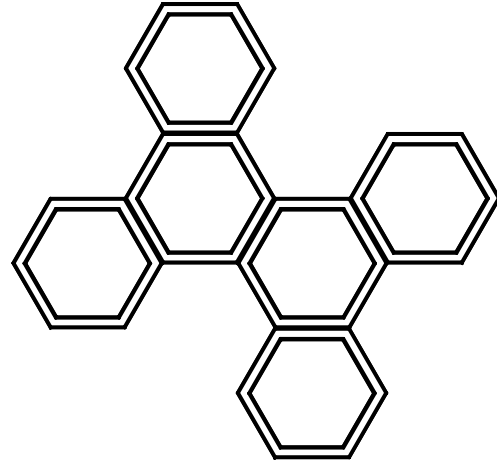
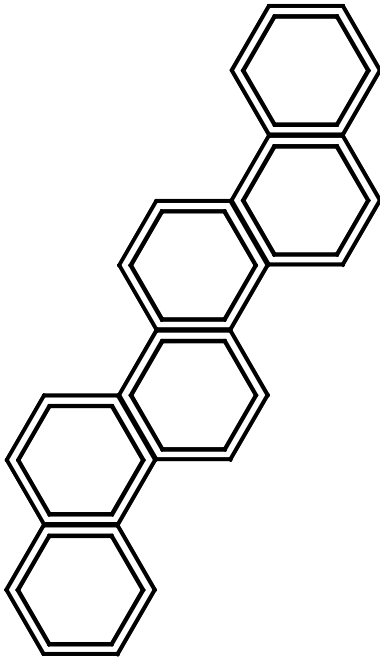


CATALOG#: _____
PROJECT: _____
TYPE: _____

LHC Series

Architectural LED
Linking Hexagons

EXAMPLE PATTERNS*



***Note: These are only a few possible patterns, please consult the factory to design your own pattern. All designs and drawings will require approval.**