

Series RIGR

Recessed Linear Mount LED Radius Indirect Glow For T-Grid Ceiling



A linear RIG Series fixture for distinctive architectural lighting plans. Ideal for corridors, lobbies, and office areas. Specially designed for direct/indirect lighting without lens and the LED arrays are hidden on the side of housing.

CONSTRUCTION

Die-formed and welded 22-gauge cold-rolled steel. Snap-on end caps conceal all hardware, to enhance the uninterrupted smooth lines of this fixture. A removable top cover allows for fast and easy surface-mount installation. Hanging kits are easily mounted from the exterior with no need to open the fixture.

TYPICAL OPTIONS & ACCESSORIES

Cord sets, whips, hanging kits, customer finish. Contact factory for more details.



DIMENSIONS

SIZE L x W x H in inches (2' to 8' in 1' increments)

8ft.-96"L x 4"W x 4"H

6ft.-72"L x 4"W x 4"H

4ft.-48"L x 4"W x 4"H

2ft.-24"L x 4"W x 4"H

FEATURES & BENEFITS

- Can be recessed or surface mounted to the ceiling or pendant hung.
- Consult factory for custom length or custom finish
- Light is continuous bringing a unique look
- Suitable for commercial or residential areas
- Suitable for dry and damp locations
- 50,000 hrs of L70 LED life
- CRI >80
- 0-10 Volt dimmable 120-277V
- Power factor 0.99
- 5 year warranty





CATALOG# : _____
 PROJECT : _____
 TYPE : _____

Series RIGR

Recessed Linear Mount LED Radius
 Indirect Glow For T-Grid Ceiling

ORDER INFORMATION

SERIES	MOUNTING	LENGTH		GEAR	WATTAGE & LUMENS*		DRIVER		FINISH ²	
RIG LED Radius Indirect Glow	R Recess for 1" T-Bar grid ceiling	24L	24"	C	24	24 Watts, 2000 Lumens	DMV	120-277 VAC 0-10V Dimming	WH	White
		48L	48"		48	48 Watts, 4000 Lumens			BK	Black
		72L	72"		72	72 Watts, 6000 Lumens			SI	Silver
		96L	96"		96	96 Watts, 8000 Lumens				

CCT/CRI ³		CONFIGURATION	
30K	3000K	Blank	Individual
	80 CRI		
35K	3500K	-B	Beginner Run
	80 CRI	-E	Ender Run
40K	4000K	-J	Joiner
	80 CRI		
50K	5000K		
	80 CRI		

*Programmable LED drivers allow custom configured wattages and corresponding lumens.

**Custom finish is for Exterior Only. Reflector is always white for proper reflectance.

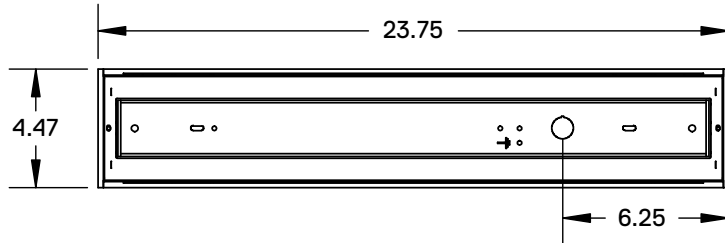
NOTE: Values shown are typical or recorded under standardized conditions at 25°C. Actual performance may vary based environment or application. Specifications are subject to change without notice. We reserve the right to change design, materials, LED's and finish in any way that will not alter installed appearance or reduce function and performance.

Series RIGR

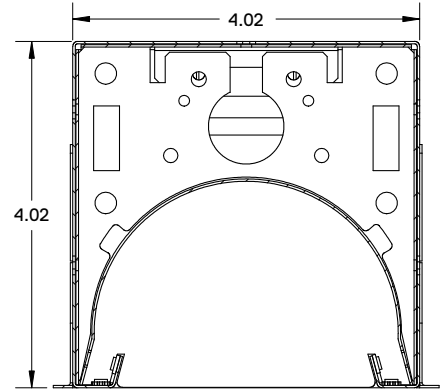
Recessed Linear Mount LED Radius
 Indirect Glow For T-Grid Ceiling

DRAWINGS & IMAGES

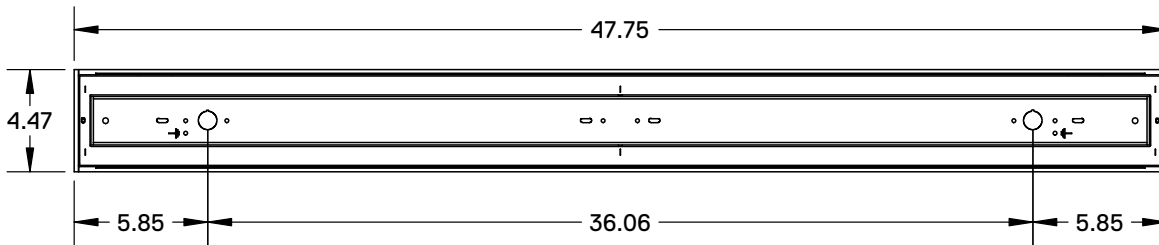
2 ft. - Back



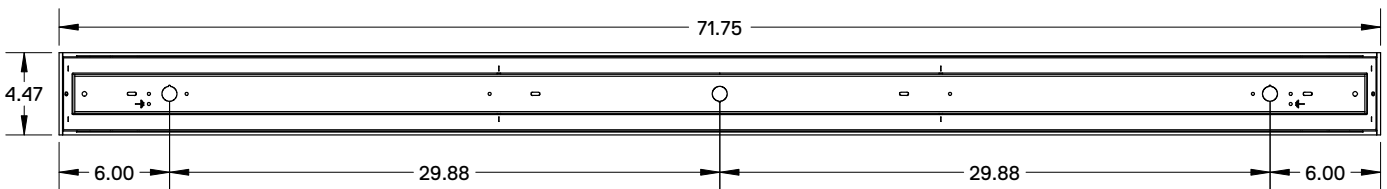
End View



4 ft. - Back



6 ft. - Back



8 ft. - Back

