



CATALOG#: _____
PROJECT: _____
TYPE: _____

Series L23W

LED Wall Mount Linear Fixture

A linear 2 x 3 fixture for distinctive architectural lighting plans. Ideal for corridors, lobbies, and office areas, 2 x 3 Series fixtures can be installed individually or in a continuous run. Specially designed for direct/indirect lighting with snap in lens to hide the LED arrays. Ideal where downlight and uplight are required.

CONSTRUCTION

Die-formed and welded 22-gauge cold rolled steel. Knockouts on ends allow continuous wire-way mounting. Housing is specially designed for direct/indirect lighting with separating power source compartments for each.

DIFFUSERS

Specially formulated LED frosted lenses with snap in feature for easy access.

TYPICAL OPTIONS & ACCESSORIES

Whips, occupancy sensors, etc.
Contact factory for more details.



DIMENSIONS

- 2ft.-24"L x 2"W x 3"H
- 4ft.-48"L x 2"W x 3"H
- 6ft.-72"L x 2"W x 3"H
- 8ft.-96"L x 2"W x 3"H

FEATURES & BENEFITS

- Wall mount kits
- Attractive source of direct or indirect lighting for use in offices, hallways, conference rooms and medical facilities
- Available in custom finish. Consult factory for details
- Suitable for dry or damp location
- 50,000 hrs of L70 LED life
- CRI >80, consult for 90 CRI options
- 120-277V
- Power Factor 0.99
- 115 lm/w
- 0-10V dimming
- 5 year warranty





CATALOG#: _____
 PROJECT: _____
 TYPE: _____

Series L23W

LED Wall Mount Linear Fixture

ORDERING GUIDE

Up or Down Light Only

SERIES	MOUNTING	DIFFUSER	LENGTH ⁷	GEAR	DISTRIBUTIONS	WATTAGE ¹			
L23	W Wall Mount	SF Snap-in frosted acrylic lens (85% transmission) Special for LEDs; only available for upright and downlight	24L 24"	T	BLANK	Downlight Only	8W 8 Watts, 900 Lumens		
					U	Uplight Only	12W 12 Watts, 1300 Lumens		
			48L 48"						16W 16 Watts, 1800 Lumens
									24W 24 Watts, 2600 Lumens
									36W 36 Watts, 4000 Lumens
									45W 45 Watts, 5000 Lumens
			72L 72"						24W 24 Watts, 2600 Lumens
									36W 36 Watts, 4000 Lumens
									54W 54 Watts, 5900 Lumens
									68W 68 Watts, 7500 Lumens
			96L 96"						32W 32 Watts, 3500 Lumens
									48W 48 Watts, 5300 Lumens
									72W 72 Watts, 7900 Lumens
									90W 90 Watts, 10000 Lumens

DRIVER	FINISH ⁴	CRI/CCT ⁵	CONFIGURATION	EMERGENCY ⁶
DMV 120-277VAC 0-10V Dimming	WH White	30K 3000K	Blank Individual	EM14 14W Emergency battery backup (integrated in fixtures 4' and longer)
	BK Black	80 CRI		
G120 ELV/TRIAC Dimming at 120V only	SL Silver	35K 3500K	-B Beginner Run	
	** Custom Color	80 CRI	-E Ender Run	
D1MV 120-277VAC 0-10V Dimming (dim to 1%)		40K 4000K	-J Joiner	
		80 CRI		
		50K 5000K		
SRMV 120-277VAC Phillips Sensor-Ready		80 CRI		
		930K 3000K		
DALMV 120-277VAC DALI Dimming		90 CRI		
		935K 3500K		
		940K 4000K		
		90 CRI		

SENSOR	
Blank	No Sensor
SS	On/Off Sensor
SV	Bi-Level Sensor
SD	Daylight Harvesting Sensor
SM	Microwave Sensor

- Note:
1. Programmable LED drivers allow custom configured wattages and corresponding lumens.
 2. For Uplight and Downlight combination for 2' or less Individual Configuration Luminaire, consult factory for more information.
 3. 11 - Uplight and Downlight separate dimming/control for 2' or less Individual Configuration Luminaire, consult factory for more information. Do not apply for Up or Down light only configurations.
 4. **RAL custom finishes available. Consult factory for more information or pricing requests.
 5. Consult factory for 90 CRI 5000K availability.
 6. Only Remote EM available in 2' or less luminaire.
 7. Consult factory for custom lengths.

Values shown are typical or recorded under standardized conditions at 25°C. Actual performance may vary based environment or application. Specifications are subject to change without notice. We reserve the right to change design, materials, LED's and finish in any way that will not alter installed appearance or reduce function and performance.



CATALOG#: _____
 PROJECT: _____
 TYPE: _____

Series L23W

LED Wall Mount Linear Fixture

ORDERING GUIDE

Up and Down Light

SERIES	MOUNTING	DIFFUSER	LENGTH ⁷	GEAR	UP and DOWN LIGHT CONFIGURATIONS ¹			
L23	W Wall Mount	SF Snap-in frosted acrylic lens (85% transmission) Special for LEDs; only available for upright and downlight	24L 24"	T	U6W	6 Watts, 700 Lumens	D12W	12 Watts, 1300 Lumens
					U9W	9 Watts, 1000 Lumens	D18W	18 Watts, 2000 Lumens
					U12W	12 Watts, 1300 Lumens	D23W	23 Watts, 2500 Lumens
			48L 48"	U8W	8 Watts, 900 Lumens	D16W	16 Watts, 1800 Lumens	
				U12W	12 Watts, 1300 Lumens	D24W	24 Watts, 2600 Lumens	
				U18W	18 Watts, 2000 Lumens	D36W	36 Watts, 4000 Lumens	
				U23W	23 Watts, 2500 Lumens	D45W	45 Watts, 5000 Lumens	
			72L 72"	U12W	12 Watts, 1300 Lumens	D24W	24 Watts, 2600 Lumens	
				U18W	18 Watts, 2000 Lumens	D36W	36 Watts, 4000 Lumens	
				U27W	27 Watts, 2900 Lumens	D54W	54 Watts, 5900 Lumens	
				U34W	34 Watts, 3700 Lumens	D68W	68 Watts, 7500 Lumens	
			96L 96"	U16W	16 Watts, 1800 Lumens	D32W	32 Watts, 3500 Lumens	
				U24W	24 Watts, 2600 Lumens	D48W	48 Watts, 5300 Lumens	
				U36W	36 Watts, 4000 Lumens	D72W	72 Watts, 7900 Lumens	
				U45W	45 Watts, 5000 Lumens	D90W	90 Watts, 10000 Lumens	

DRIVER	UP/DOWN CONTROL ²	FINISH ⁴	CRI/CCT ⁵	CONFIGURATION	EMERGENCY ⁶
DMV 120-277VAC 0-10V Dimming	Blank Paired Up/Down Dimming+control	WH White BK Black	30K 3000K 80 CRI	Blank Individual -B Beginner Run	EM14 14W Emergency battery backup (integrated in fixtures 4' and longer)
G120 ELV/TRIAC Dimming at 120V only	11 ³ Separate Up/Down Dimming+control	SL Silver ** Custom Color	35K 3500K 80 CRI	-E Ender Run -J Joiner	
D1MV 120-277VAC 0-10V Dimming (dim to 1%)			40K 4000K 80 CRI		
SRMV 120-277VAC Phillips Sensor-Ready			50K 5000K 80 CRI		
DALMV 120-277VAC DALI Dimming			930K 3000K 90 CRI		
			935K 3500K 90 CRI		
			940K 4000K 90 CRI		

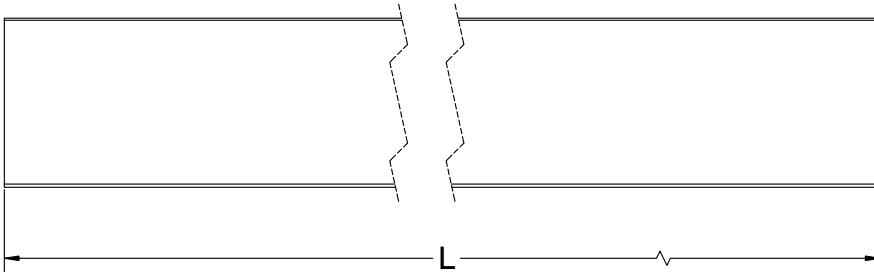
SENSOR	
Blank	No Sensor
SS	On/Off Sensor
SV	Bi-Level Sensor
SD	Daylight Harvesting Sensor
SM	Microwave Sensor

Note:

1. Programmable LED drivers allow custom configured wattages and corresponding lumens.
2. For Uplight and Downlight combination for 2' or less Individual Configuration Luminaire, consult factory for more information.
3. 11 - For Uplight and Downlight separate dimming/control for 2' or less Individual Configuration Luminaire, consult factory for more information.
4. **RAL custom finishes available. Consult factory for more information or pricing requests.
5. Consult factory for 90 CRI 5000K availability.
6. Only Remote EM available in 2' or less luminaire.
7. Consult factory for custom lengths.

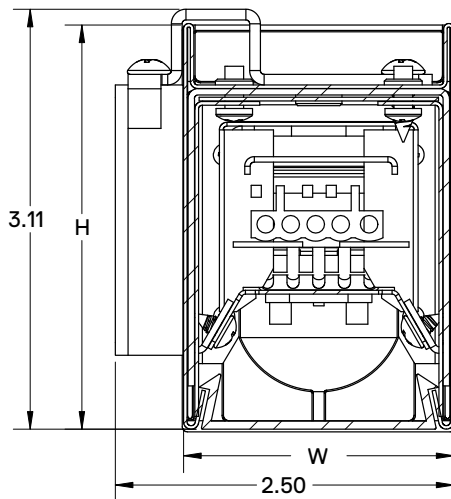
Values shown are typical or recorded under standardized conditions at 25°C. Actual performance may vary based environment or application. Specifications are subject to change without notice. We reserve the right to change design, materials, LED's and finish in any way that will not alter installed appearance or reduce function and performance.

WALL MOUNT DRAWINGS AND DIMENSIONS

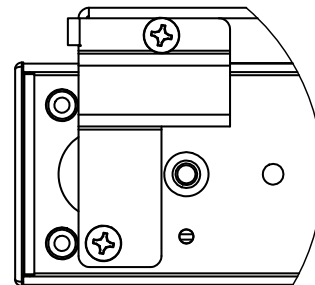


PART	L	W	H	L-Length W-Width H-Height
L23W12L	12.00"	2.00"	3.00"	
L23W24L	24.00"	2.00"	3.00"	
L23W36L	36.00"	2.00"	3.00"	
L23W48L	48.00"	2.00"	3.00"	
L23W60L	60.00"	2.00"	3.00"	
L23W72L	72.00"	2.00"	3.00"	
L23W84L	84.00"	2.00"	3.00"	
L23W96L	96.00"	2.00"	3.00"	

End Side View



End Top View



We reserve the right to change design, materials, LED's and finish in any way that will not alter installed appearance or reduce function and performance.