



Part #	Prepared By
Project	Date
Type	

# 2"X8" Luxify™ Cylinder

## Open LED 700-2000 Lumens



### Features & Construction

#### ELECTRICAL SYSTEM

- 700 - 2000 Lumens
- 2700K - 4000K CCT
- 80 CRI with 3 SDCM color consistency, 90+ CRI available
- Standard 0-10V 10% dimming driver (SDM), 1% dimming driver optional
- 120V - 277V Universal Input Volts
- Minimum 50,000 hour lifetime at L70
- -20°C to 30°C Ambient Operating Temperature Range

#### OPTICS

- Precision injection molded vacuum metalized reflector
- Reflectors available in 3 standard finishes
- Distribution is free of streaks, striations and hotspots
- 20° Narrow and 30° Medium distributions

#### HOUSING & MOUNTING

- .064" thick spun aluminum cylinder
- Powder coat paint with standard finishes of white, black, bronze, silver or custom color
- Heatsink - Integrated aluminum heat sink for superior thermal management.
- 4 mounting solutions, Ceiling/Surface, Wall and Pendant and Cord mount
- Pendant Mount - 1/8" IP x 12" long rigid stem with a 45° swivel canopy for sloped ceiling applications.
- Cord Mount - 72" cord provided standard

### Listings

- ETL certified to UL1598 and UL8750 requirements
- Tested according to LM-79 and LM-80 standards
- Suitable for damp locations; Wet location under covered ceiling (per NEC 410 & UL 1598)
- Buy American Act (BAA)

### Warranty & Notes

- 5-year limited warranty on LED module and driver
- [www.vantageltg.com/product-warranty](http://www.vantageltg.com/product-warranty)
- Photometric tests performed by an accredited NVLP facility and in accordance to IESNA LM-79-2008 testing procedures

### Lumens\*

Nominal Lumens	Wattage	NW Delivered Lumens	LPW	MD Delivered Lumens	LPW
700	7.61	724	95.14	699	91.85
1300	14.13	1345	95.19	1299	91.93
2000	21.74	2069	95.17	1998	91.9

All measured at 4000K with either a NW or MD. \*Actual Wattage/Lumens may vary.

### Ordering Information

EXAMPLE: VC208OBLEDU-2035K-WHT-NW-ZDM-P-24

Mounting Options	Series	Voltage	Lumens	Kelvin (CCT)	Housing Finish	Reflector	Driver* Options	Additional Options*
<b>VC</b> Ceiling Mount	<b>208OBLED</b>	<b>U</b> - 120V-277V <b>1</b> - 120V <b>2</b> - 277V	<b>07</b> - 700 <b>13</b> - 1300 <b>20</b> - 2000	<b>27K</b> - 2700K <b>30K</b> - 3000K <b>35K</b> - 3500K <b>40K</b> - 4000K	<b>WHT</b> White Matte <b>BLK</b> Black Matte <b>BZ</b> Bronze <b>CS</b> Silver <b>CC</b> Custom RAL Color	<b>NW</b> 20° Narrow  <b>MD</b> 30° Medium	<b>SDM</b> (Standard) <b>ZDM</b> <b>DTD</b> <b>TDM</b> <b>DL-2</b> <b>DL-3</b> <b>LDE1</b> <b>PEQ0</b>	<b>HCR</b> <b>REM</b> P-"xx" <b>CH272TK</b> CK-"xx" <b>FCJS-ECO</b> <b>FCJS-010</b> <b>FCJS-ECO-EM</b> <b>FCJS-010-EM</b> <b>FC-SENSOR</b> <b>FC-VSENSOR</b>
<b>VP</b> Pendant Mount								
<b>VW</b> Wall Mount								
<b>VCK</b> Cord Mount								

#### \*Driver Options Notes

- SDM - 0-10V 10% dimming driver (standard)
- ZDM - 0-10V 1% dimming driver
- TDM - Triac (Forward Phase, 120V only) dimming driver.
- DTD - 0-10V 0.1% Dim-To-Dark dimming driver.
- DL-2 - Lutron 2-Wire Hi-Lume dimming driver.
- DL-3 - Lutron Hi-Lume 1% 3-wire dimming driver.
- LDE1 - Lutron Hi-Lume 1% with Soft-On, Fade-to-Black dimming driver.
- PEQ0 - Lutron Hi-Lume Premier 0.1% with Soft-On, Fade-to-Black dimming driver.

#### \*Additional Options Notes

- HCR - High CRI, 90+ minimum
- REM - Remote Battery Backup W/remote Test Button And Indicator Light
- P-"XX" - Specify length of Pendant Mount (if specified pendant length is not within 12" increments, a CH272TK is required)
- CH272TK - Field Cut Kit For Stems (needed for pendant lengths not within a 12" increment)
- CK-"XX" - Specify length of Cord Kit
- FCJS-ECO - Vive PowPak EcoSystem Control Module
- FCJS-010 - Vive PowPak 0-10 V Control Module, 1 A Switched
- FCJS-ECO-EM - Emergency rated Vive PowPak EcoSystem Control Module
- FCJS-010-EM - Emergency rated Vive PowPak 0-10 V Control Module, 1 A Switched
- FC-SENSOR - Combo Occupancy & Daylight Sensor, Wired (used only with FCJS-ECO and FCJS-010 modules)
- FC-VSENSOR - Combo Vacancy & Daylight Sensor, Wired (used only with FCJS-ECO and FCJS-010 modules)

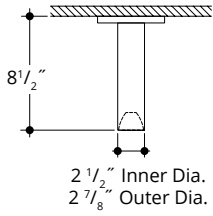
# 2"X8" Luxify™ Cylinder

## Open LED 700-2000 Lumens

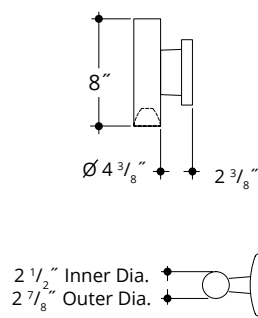


### Dimensional Data

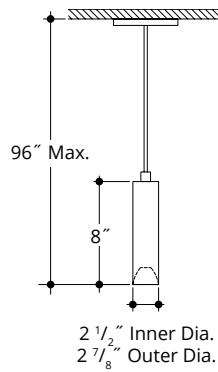
VC - CEILING MOUNT



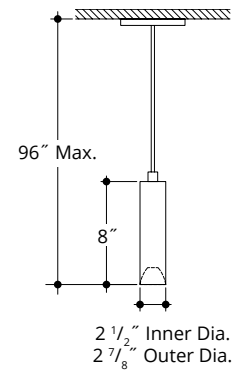
VW - PENDANT MOUNT



VP - PENDANT MOUNT



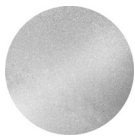
VC WITH CK-"XX" - CORD MOUNT



### Housing Finishes



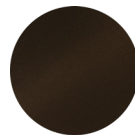
**WHT**  
White Matte



**CS**  
Silver



**BLK**  
Black Matte



**BZ**  
Bronze

### Photometry

#### Narrow 20° - NW

**Model**  
208OBLED-2040K-NW-SCL

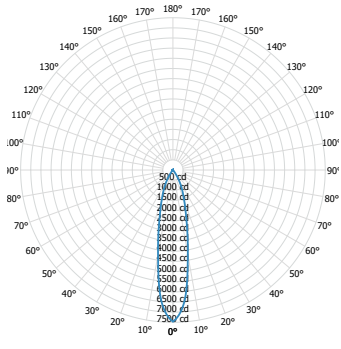
**Lumens**  
2069

**Watts**  
21.74

**Efficacy**  
95.17

**SC**  
0.38

**Candela Curve**



**Cone of Light**

Mounting Height AFF	FC at Center on Floor	Beam Diameter
8.0 ft	117 fc	3.3 ft
10.0 ft	75 fc	4.1 ft
12.0 ft	52 fc	4.9 ft
14.0 ft	38 fc	5.7 ft
16.0 ft	29 fc	6.5 ft
20.0 ft	19 fc	8.1 ft
24.0 ft	13 fc	9.8 ft
30.0 ft	8 fc	12.2 ft

**Candela Table**

Beam Angle	Lumens
0.00°	7464
0.00°	6492
10.00°	4223
15.00°	2588
20.00°	1645
30.00°	609
40.00°	67
50.00°	16
60.00°	11
70.00°	10
80.00°	9
90.00°	9

**Zonal Lumen Summary**

Zone	Lumens	% Luminaire
0° - 30°	1764	85%
0° - 40°	1935	94%
0° - 60°	1972	95%
60° - 90°	30	1%
0° - 20°	1278	62%
20° - 50°	682	33%
50° - 70°	22	1%
70° - 90°	20	1%
0° - 90°	2002	97%
90° - 180°	66	3%
<b>Total</b>	<b>2069</b>	<b>100%</b>

**Spacing Criterion**

Height	Spacing	Light Level*
8 ft	3.0 ft	~ 117 fc
10 ft	3.8 ft	~ 75 fc
12 ft	4.6 ft	~ 52 fc
8 ft	2.3 ft	~ 207 fc
10 ft	2.8 ft	~ 133 fc
12 ft	3.4 ft	~ 92 fc
8 ft	1.5 ft	~ 467 fc
10 ft	1.9 ft	~ 299 fc
12 ft	2.3 ft	~ 207 fc

\* approximate direct light level at floor based on spacing criterion overlap

#### Medium 30° - MD

**Model**  
208OBLED-2040K-MD-SCL

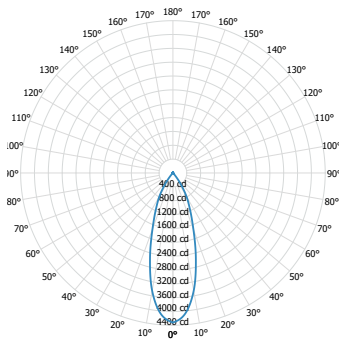
**Lumens**  
1998

**Watts**  
21.74

**Efficacy**  
91.90

**SC**  
0.56

**Candela Curve**



**Cone of Light**

Mounting Height AFF	FC at Center on Floor	Beam Diameter
8.0 ft	67 fc	5.0 ft
10.0 ft	43 fc	6.3 ft
12.0 ft	30 fc	7.5 ft
14.0 ft	22 fc	8.8 ft
16.0 ft	17 fc	10.0 ft
20.0 ft	11 fc	12.5 ft
24.0 ft	7 fc	15.0 ft
30.0 ft	5 fc	18.8 ft

**Candela Table**

Beam Angle	Lumens
0.00°	4320
5.00°	4078
10.00°	3456
15.00°	2559
20.00°	1728
30.00°	782
40.00°	124
50.00°	17
60.00°	12
70.00°	9
80.00°	8
90.00°	7

**Zonal Lumen Summary**

Zone	Lumens	% Luminaire
0° - 30°	1615	81%
0° - 40°	1867	93%
0° - 60°	1920	96%
60° - 90°	27	1%
0° - 20°	1075	54%
20° - 50°	832	42%
50° - 70°	23	1%
70° - 90°	17	1%
0° - 90°	1947	97%
90° - 180°	51	3%
<b>Total</b>	<b>1998</b>	<b>100%</b>

**Spacing Criterion**

Height	Spacing	Light Level*
8 ft	4.5 ft	~ 68 fc
10 ft	5.6 ft	~ 43 fc
12 ft	6.7 ft	~ 30 fc
8 ft	3.4 ft	~ 120 fc
10 ft	4.2 ft	~ 77 fc
12 ft	5.0 ft	~ 53 fc
8 ft	2.2 ft	~ 270 fc
10 ft	2.8 ft	~ 173 fc
12 ft	3.4 ft	~ 120 fc

\* approximate direct light level at floor based on spacing criterion overlap

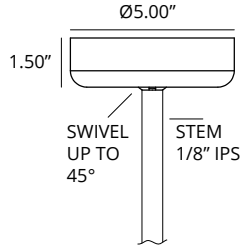
### MULTIPLIER

CRI	Multiplier	Kelvin	Multiplier
80	1	2700K	0.955
90	0.8	3000K	0.965
		3500K	0.975
		4000K	1

### Canopy Information

#### VP - For Standard Driver up to 1300 Lumens

Pendant Mount, rigid stem, swivel canopy, up to 45° slope ceiling

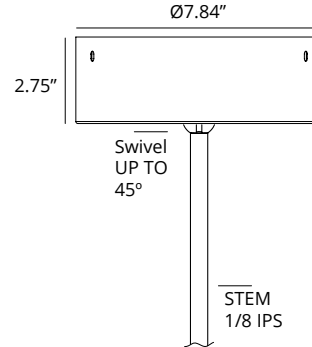


#### Driver Compatibility

For 700 - 1300 Lumens  
SDM (standard)  
ZDM

#### VP - For Optional Drivers and Standard driver above 1300 Lumens

Canopy for larger driver options. Driver located in canopy.

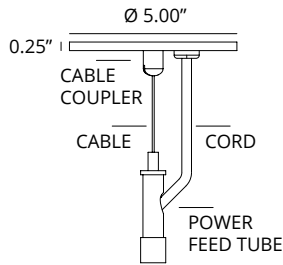


#### Driver Compatibility

For 700 - 1300 Lumens  
TDM  
DTD  
DL-2  
DL-3  
LDE1  
PEQ0  
  
For 2000 Lumens  
SDM (standard)  
ZDM

#### CCK - For Standard Driver up to 1300 Lumens

Cord & Cable Mount, fixed canopy (standard)

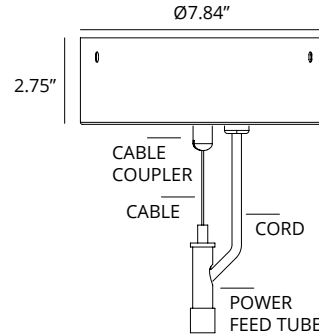


#### Driver Compatibility

For 700 - 1300 Lumens  
SDM (standard)  
ZDM

#### CCK - For Optional Drivers and Standard driver above 1300 Lumens

Cord & Cable Mount, fixed canopy (standard)



#### Driver Compatibility

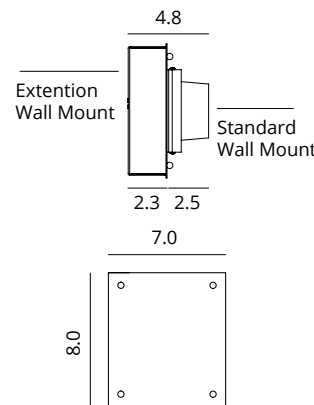
For 700 - 1300 Lumens  
TDM  
DTD  
DL-2  
DL-3  
LDE1  
PEQ0  
  
For 2000 Lumens  
SDM (standard)  
ZDM

#### Mounting Options Notes

P-XX" - 1/8" IP x 12" rigid stem with swivel canopy to accommodate sloped ceilings up to 45°. Standard Pendant lengths (stem): 12", 24", and 36". If a different length is desired, please specify in 12" increments and add a field cut kit to the order (CH272TK).  
CK-XX" 5 conductor cord to support 0-10V dimming (standard). Other lengths available.  
Optional Drivers - Requires larger canopy, see canopy details for more information

#### WALL MOUNT EXTENSION and Standard driver above 1300 Lumens

Wall Mount Extension for larger optional drivers



#### Driver Compatibility

For 700 - 1300 Lumens  
TDM  
DTD  
DL-2  
DL-3  
LDE1  
PEQ0  
  
For 2000 Lumens  
SDM  
ZDM