

Part #	Prepared By
Project	Date
Type	

16" Luxify™ Performance High Bay

5000-20000 Lumens



Features & Specifications

ELECTRICAL SYSTEM

- High-Output energy efficient LED light engine, up to 144 LPW
- 5000 - 20000 Lumens
- 3000K - 5000K CCT
- 80 CRI with 3 SDCM color consistency (+90 CRI optional)
- Standard 0-10V 10% dimming driver, SDM; optional drivers available
- 120V - 277V Universal Input Volts
- Minimum 50,000 hour lifetime at L70
- -20°C to 30°C Ambient Operating Temperature Range

SHADE & ACCESSORIES

- Aluminum Shade with high reflective white painted inner shade
- Wire guard accessory for a classic look with maximum protection
- Durable Polycarbonate shade, shatter resistant
- Flat bottom lens for added protection, for use with Polycarbonate shade
- Conical bottom lens produces a wide beam spread, for use with Polycarbonate shade
- Offering 80°, 70° and 60° distribution options depending on shade and accessory chosen

HOUSING & MOUNTING

- Housing is constructed of 0.040" thick aluminum and coated with a polyester powder coat for protection, durability and aesthetics
- Slotted design for superior thermal management.
- 3 mounting styles include Pendant Mount, Cord & Cable Mount and Hook Mount to support a variety of project requirements.
- Pendant Mount system utilizes a 3/8 IPS stem with a standard swivel canopy to accommodate up to a 45° ceiling.

Listings

- ETL certified to UL 1598 and UL8750 requirements
- Tested according to LM-79 and LM-80 standards
- Damp Location and Wet Location Under Covered Ceiling (per NEC 410 & UL 1598)
- Buy American Act (BAA Compliant)
- Flicker Free (per NEMA 77-2017)

Warranty & Notes

- 5-year limited warranty on LED COB and driver
- www.vantageltg.com/product-warranty
- Photometric tests performed by an accredited NVLP facility and in accordance to IESNA LM-79-2008 testing procedures

Lumens*

Nominal Lumens	AGV Wattage	AGV Delivered Lumens	LPW	LGV Wattage	LGV Delivered Lumens	LPW	LGV +BL Delivered Lumens	LPW	LGV + CL Delivered Lumens	LPW
5000	42.3	4665	126.08	37	5101	137.86	4519	122.14	4292	116.00
6000	57.61	5598	132.34	42.3	6121	144.7	5423	128.2	5150	121.75
8000	85.2	7845	136.17	57.61	7895	137.04	7230	125.5	6867	119.2
10000	100	9806	115.09	85.2	9869	115.83	9038	118.14	8583	112.2
12000	112	11257	112.57	100	11842	118.42	10846	106.07	10300	103
15000	156	14976	133.71	112	14510	129.55	13557	121.04	13309	118.83
20000				156	19347	124.02	18076	115.87	17746	113.76

All measured at 4000K with either a White Painted Aluminum, Clear Polycarbonate Shade, Flat Bottom Lens or a Conical Lens. *Actual Wattage/Lumens may vary.

Ordering Information

EXAMPLE: AVGBLED16-10040K-WHT-WHT-P-12-SDM-HCR

Shade Options	Series	Lumens	Kelvin (CCT)	Housing Finish	Shade Finish	Mounting Options	Driver Options*	Additional Options**
AGV Aluminum Shade LGV Polycarbonate Shade	BLED16	50 - 5000 60 - 6000 80 - 8000 100 - 10000 120 - 12000 150 - 15000 175 - 17500 200 - 20000	30K - 3000K 35K - 3500K 40K - 4000K 50K - 5000K	WHT White Matte BLK Black Matte BZ Bronze CS Silver CC Custom RAL Color	(Aluminum Shade Only) WHT White Matte BLK Black Matte BZ Bronze CS Camaro Silver CC Custom RAL Color	P-"xx" CH34TK CCK-72"-Color CCK-120"-Color CCK-180"-Color CCK-240"-Color	SDM (standard) ZDMHL DTDHL TDMHL	DCA HC HCP SC BL-16 CL-16 WG-16 HCR REM REMH

*Driver Options Notes

SDM - 0-10V 10% dimming driver (standard)
 ZDMHL - 0-10V 1% dimming driver (up to 6000 lumens w/AGV, 8000 Lumens w/LGV)
 DTDHL - 0-10V 0.1% dimming driver. (up to 8000 lumens)
 TDMHL - Triac (Forward Phase, 120V only) dimming driver. (up to 12000 lumens)
 DMX - DMX with RDM dimming driver, requires DCA (up to 10000 lumens)

**Additional Options Notes

DCA - Daisy Chain Adaptor
 HC - Die-cast Hook, 18/3 Cord
 HCP - Die-cast Hook, 18/3 Cord & NEMA Twist Lock Plug
 SC - Safety Cable (not available with HC or HCP)
 BL-16 - Flat, Clear Bottom Lens (only for use with LGV shade)
 CL-16 - Conical Lens (only for use with LGV shade)
 WG-16 - Wire Guard
 HCR - High Color Rendering - 90 CRI (15000 Lumens and Below)
 REM - Remote Battery Backup W/remote Test Button and Indicator Light (not available with HC or HCP) (for up to 5000 Lumen)
 REMHL - Remote Battery Backup W/remote Test Button and Indicator Light (not available with HC or HCP) (for above 5000 Lumen)

16" Luxify™ Performance High Bay

5000-20000 Lumens

Shade & Additional Options



**POLYCARBONATE
LGVLED16**
Clear



**FLAT CLEAR LENS
BL-16**
For Use With Polycarbonate shade only



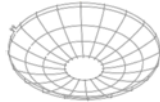
**ALUMINUM
AGVLED16**
Available Finishes
WHT, BLK, BZ, CS, CC



**CONICAL LENS
CL-16**
For Use With Polycarbonate shade only



**DIE CAST HOOK
HC, HCP**



**WIRE GAURD
WG-16**
For Use With Aluminum shade only

Housing / Aluminum Shade Finishes



WHT
White Matte



CS
Silver



BLK
Black Matte



BZ
Bronze



16" Luxify™ Performance High Bay

5000-20000 Lumens



PHOTOMETRY

AGV- Aluminum Shade 70°

Model
AGVBLED16-15040K-WHT-SDM

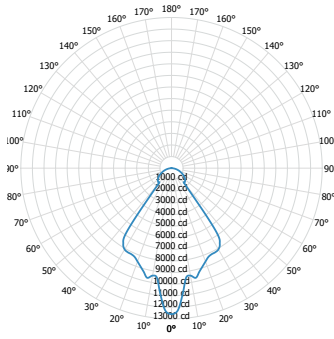
Lumens
14976

Watts
112

Efficacy
133.71

SC
0.88

Candela Curve



Cone of Light

Mounting Height AFF	FC at Center on Floor	Beam Diameter
8.0 ft	197 fc	11.4 ft
10.0 ft	126 fc	14.2 ft
12.0 ft	88 fc	17.0 ft
14.0 ft	64 fc	19.9 ft
16.0 ft	49 fc	22.7 ft
20.0 ft	32 fc	28.4 ft
24.0 ft	22 fc	34.1 ft
30.0 ft	14 fc	42.6 ft

Candela Table

	0.00°
0.00°	12607
5.00°	10945
10.00°	9415
15.00°	9259
20.00°	8573
30.00°	8091
40.00°	1720
50.00°	1531
60.00°	1167
70.00°	732
80.00°	325
90.00°	0

Zonal Lumen Summary

Zone	Lumens	% Luminaire
0° - 30°	7396	49%
0° - 40°	10848	72%
0° - 60°	13328	89%
60° - 90°	1648	11%
0° - 20°	3584	24%
20° - 50°	8525	57%
50° - 70°	2154	14%
70° - 90°	712	5%
0° - 90°	14976	100%
90° - 180°	0	0%
Total	14976	100%

Spacing Criterion

Height	Spacing	Light Level*
8 ft	7.0 ft	~ 197 fc
10 ft	8.8 ft	~ 126 fc
12 ft	10.6 ft	~ 88 fc
8 ft	5.3 ft	~ 350 fc
10 ft	6.6 ft	~ 224 fc
12 ft	7.9 ft	~ 156 fc
8 ft	3.5 ft	~ 788 fc
10 ft	4.4 ft	~ 504 fc
12 ft	5.3 ft	~ 350 fc

* approximate direct light level at floor based on spacing criterion overlap

LGV - Polycarbonate Shade 60°

Model
LGVBLED16-20040K-SDM

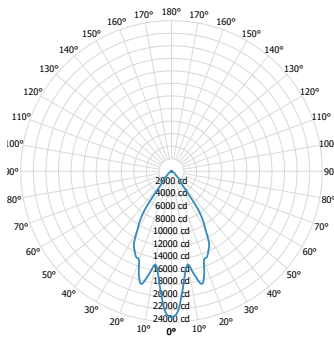
Lumens
19347

Watts
156

Efficacy
124.02

SC
0.82

Candela Curve



Cone of Light

Mounting Height AFF	FC at Center on Floor	Beam Diameter
8.0 ft	364 fc	8.9 ft
10.0 ft	233 fc	11.1 ft
12.0 ft	162 fc	13.4 ft
14.0 ft	119 fc	15.6 ft
16.0 ft	91 fc	17.8 ft
20.0 ft	58 fc	22.3 ft
24.0 ft	40 fc	26.7 ft
30.0 ft	26 fc	33.4 ft

Candela Table

	0.00°
0.00°	23305
5.00°	19401
10.00°	15087
15.00°	18565
20.00°	15117
30.00°	10936
40.00°	2407
50.00°	800
60.00°	429
70.00°	198
80.00°	59
90.00°	37

Zonal Lumen Summary

Zone	Lumens	% Luminaire
0° - 30°	12784	66%
0° - 40°	16809	87%
0° - 60°	18570	96%
60° - 90°	471	2%
0° - 20°	6527	34%
20° - 50°	11496	59%
50° - 70°	847	4%
70° - 90°	170	1%
0° - 90°	19041	98%
90° - 180°	306	2%
Total	19347	100%

Spacing Criterion

Height	Spacing	Light Level*
8 ft	6.6 ft	~ 364 fc
10 ft	8.2 ft	~ 233 fc
12 ft	9.8 ft	~ 162 fc
8 ft	4.9 ft	~ 647 fc
10 ft	6.1 ft	~ 414 fc
12 ft	7.4 ft	~ 288 fc
8 ft	3.3 ft	~ 1457 fc
10 ft	4.1 ft	~ 932 fc
12 ft	4.9 ft	~ 647 fc

* approximate direct light level at floor based on spacing criterion overlap

LGV-BL - Polycarbonate Shade - Flat Bottom Lens 60°

Model
LGVBLED16-20040K-SDM-BL

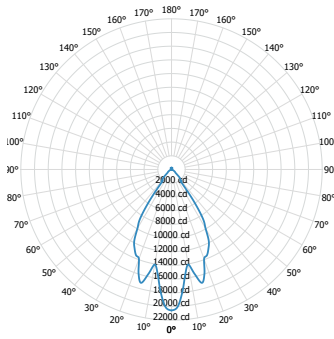
Lumens
18076

Watts
156

Efficacy
115.87

SC
0.86

Candela Curve



Cone of Light

Mounting Height AFF	FC at Center on Floor	Beam Diameter
8.0 ft	322 fc	9.1 ft
10.0 ft	206 fc	11.3 ft
12.0 ft	143 fc	13.6 ft
14.0 ft	105 fc	15.9 ft
16.0 ft	80 fc	18.1 ft
20.0 ft	51 fc	22.7 ft
24.0 ft	36 fc	27.2 ft
30.0 ft	23 fc	34.0 ft

Candela Table

	0.00°
0.00°	20589
5.00°	18018
10.00°	14090
15.00°	17133
20.00°	13917
30.00°	9962
40.00°	2279
50.00°	803
60.00°	427
70.00°	202
80.00°	67
90.00°	51

Zonal Lumen Summary

Zone	Lumens	% Luminaire
0° - 30°	11762	65%
0° - 40°	15197	84%
0° - 60°	16945	94%
60° - 90°	491	3%
0° - 20°	6037	33%
20° - 50°	10361	57%
50° - 70°	851	5%
70° - 90°	188	1%
0° - 90°	17437	96%
90° - 180°	639	4%
Total	18076	100%

Spacing Criterion

Height	Spacing	Light Level*
8 ft	6.9 ft	~ 322 fc
10 ft	8.6 ft	~ 206 fc
12 ft	10.3 ft	~ 143 fc
8 ft	5.2 ft	~ 572 fc
10 ft	6.4 ft	~ 366 fc
12 ft	7.7 ft	~ 254 fc
8 ft	3.4 ft	~ 1287 fc
10 ft	4.3 ft	~ 824 fc
12 ft	5.2 ft	~ 572 fc

* approximate direct light level at floor based on spacing criterion overlap

LGV-CL - Polycarbonate Shade - Conical Lens 80°

Model
LGVBLED16-20040K-SDM-CL

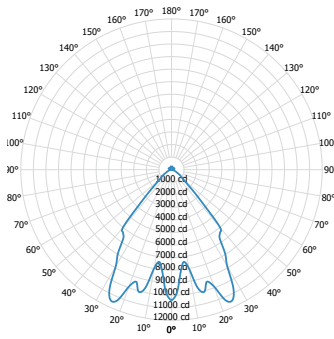
Lumens
17746

Watts
156

Efficacy
113.76

SC
1.21

Candela Curve



Cone of Light

Mounting Height AFF	FC at Center on Floor	Beam Diameter
8.0 ft	163 fc	13.6 ft
10.0 ft	104 fc	17.0 ft
12.0 ft	72 fc	20.4 ft
14.0 ft	53 fc	23.8 ft
16.0 ft	41 fc	27.2 ft
20.0 ft	26 fc	34.0 ft
24.0 ft	18 fc	40.7 ft
30.0 ft	12 fc	50.9 ft

Candela Table

	0.00°
0.00°	10408
5.00°	8244
10.00°	7986
15.00°	10073
20.00°	9911
30.00°	8879
40.00°	6012
50.00°	1278
60.00°	591
70.00°	251
80.00°	85
90.00°	76

Zonal Lumen Summary

Zone	Lumens	% Luminaire
0° - 30°	8434	48%
0° - 40°	12858	72%
0° - 60°	15916	90%
60° - 90°	635	4%
0° - 20°	3499	20%
20° - 50°	11608	65%
50° - 70°	1205	7%
70° - 90°	239	1%
0° - 90°	16550	93%
90° - 180°	1196	7%
Total	17746	100%

Spacing Criterion

Height	Spacing	Light Level*
8 ft	9.7 ft	~ 163 fc
10 ft	12.1 ft	~ 104 fc
12 ft	14.5 ft	~ 72 fc
8 ft	7.3 ft	~ 289 fc
10 ft	9.1 ft	~ 185 fc
12 ft	10.9 ft	~ 128 fc
8 ft	4.8 ft	~ 651 fc
10 ft	6.0 ft	~ 416 fc
12 ft	7.3 ft	~ 289 fc

* approximate direct light level at floor based on spacing criterion overlap

MULTIPLIER

CRI	Multiplier	Kelvin	Multiplier
80	1	3000K	0.975
90	0.84	3500K	1
		4000K	1.035
		5000K	1.098

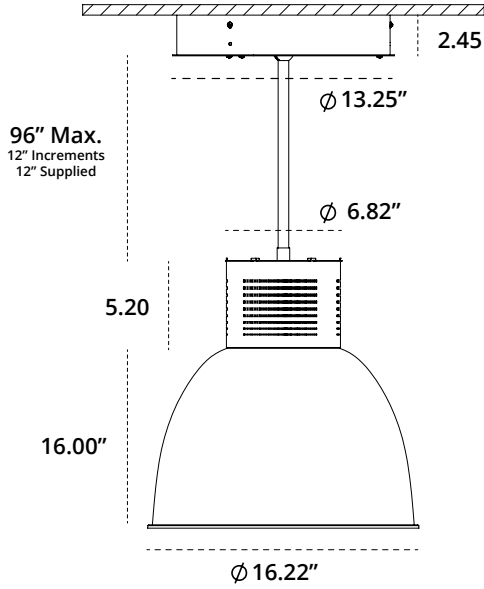


16" Luxify™ Performance High Bay

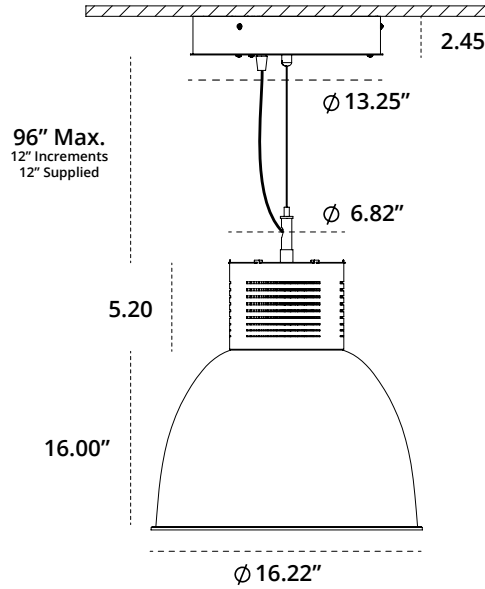
5000-20000 Lumens

Dimensional Data

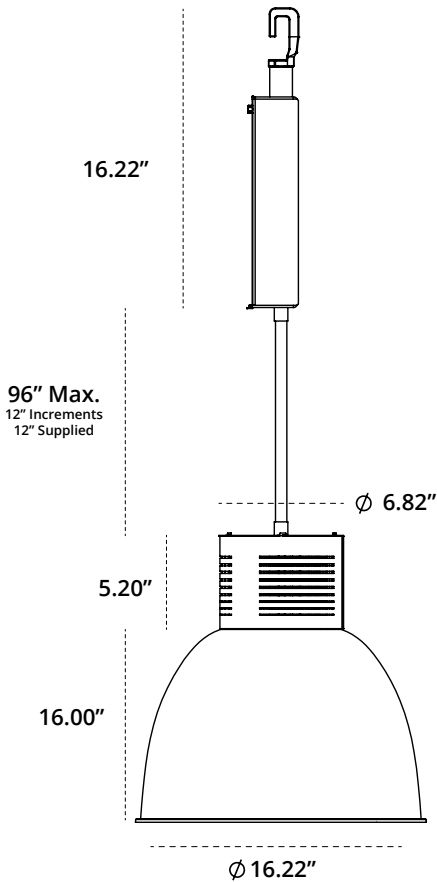
VP - Pendant Mount



CCK - Cord & Cable Mount



HC / HCP - Hook Mount



VP - Pendant Mount

CCK - CORD & CABLE MOUNT

HC / HCP - Hook Mount

Mounting Options Notes

P-XX" - 3/8" IP x 12" rigid stem with swivel canopy to accommodate sloped ceilings up to 45°. Standard Pendant lengths (stem): 12", 24", and 36". If a different length is desired, please specify in 12" increments and add a field cut kit to the order (CH34TK). CCK-XX" 5 conductor cord to support 0-10V dimming (standard). Other lengths available.

16" Luxify™ Performance High Bay

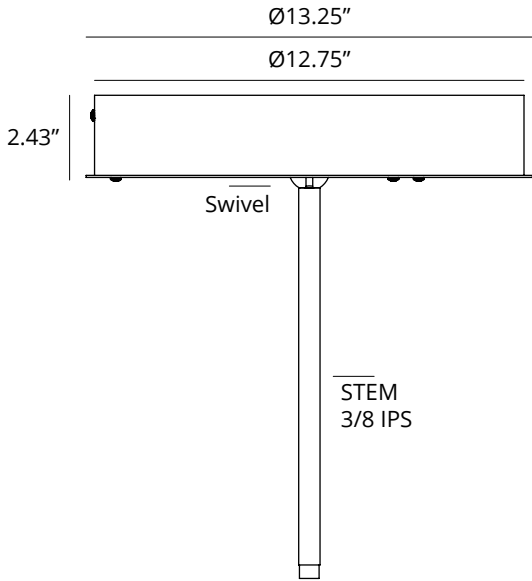
5000-20000 Lumens



Canopy Information

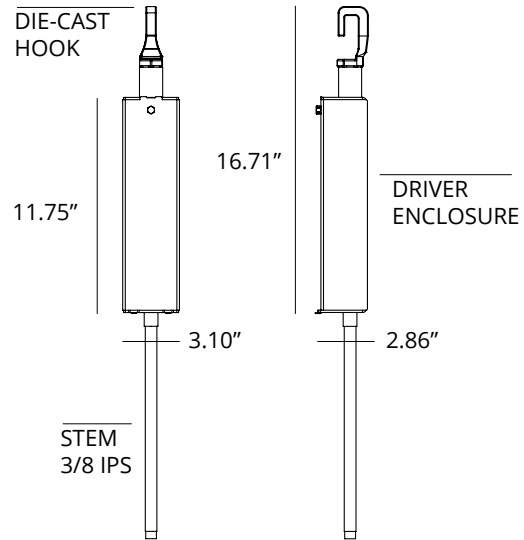
VP - Pendant Mounting

Driver located in canopy.



HC - Hook Mounting

Driver located in driver enclosure.



CCK - Cord & Cable Mounting

Cord & Cable Mount, fixed canopy (standard), driver located in canopy

