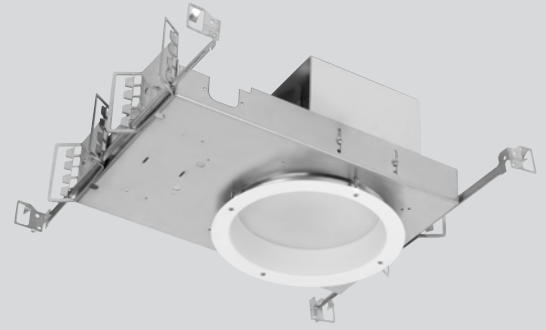


Part #	Prepared By
Project	Notes
Type	
Date	

# 8" Round, Vandal Resistant F-Class Gen V Lensed, LED Downlight, 750-7000 Lumens



## Features & Specifications

### ELECTRICAL SYSTEM

- 750 - 7000 lumens
- 2700K - 5000K CCT
- Optional Tunable White, 2700K - 6500K or 1800K - 4000K CCT
- 80 CRI with 3 SDCM color consistency (+90 CRI optional)
- Standard 0-10V 1% dimming driver, ZDM; optional drivers available
- 120V - 277V Universal Input Volts, 347V option
- Minimum 50,000 hour lifetime at L70
- 20°C to 30°C Ambient Operating Temperature Range

### OPTICS

- Robust spun reflector with regressed lens
- Durable polycarbonate lens
- Optics & Trim secured with tamper-proof screws (proprietary screwdriver included)
- Reflector available in Alzak® and painted finishes
- 60° Medium distribution
- Easy to clean

### FRAME & MOUNTING

- Galvanized steel frame with integrated junction box featuring hinged access covers with spring retaining latches
- Vertically adjustable rigid formed mounting brackets that accept a variety of mounting bars with auxillary nail holes and T-bar slots
- T-Bars included, suitable for joist spacing from 12" to 24"
- Supports straight conduit runs - (3) 3/4" knockouts
- Through branch wiring - (8) #12 AWG (4 in, 4 out), 90°C conductors
- Accessibility to all LED components from below ceiling

## Listings

- ETL certified to UL 1598 and UL8750 requirements
- Tested according to LM-79 and LM-80 standards
- Energy Star® certified versions available (see Vantage Energy Star® guide for details)
- Suitable for damp locations under covered ceiling
- Buy American Act (BAA)

## Warranty & Notes

- 5-year limited warranty on LED module and driver
- www.vantageltg.com/product-warranty
- Photometric tests performed by an accredited NVLP facility and in accordance to IESNA LM-79-2008 testing procedures
- Insulation must be kept 3" away from luminaire

## Lumens\*

Nominal Lumens	Delivered Lumens	Wattage	Lumens Per Watt
750	592	9.4	62.98
1100	869	15.4	56.43
1500	1185	21.6	54.86
2000	1579	27.2	58.05
3000	2369	33.5	70.72
4000	3159	45.6	69.28
5000	3949	59.75	66.09
6000	4738	60.1	78.84
7000	5528	85.3	64.81

All measured at 3500K with a standard medium distribution  
\*Actual Wattage/Lumens may vary.

## Ordering Information

EXAMPLE: VVR8VEFLED-1130K-VVRL8011P-SGC-ZDM

Series	Voltage	Lumens	Kelvin (CCT)	Reflector/Lens*	Finishes	Options**
VVR8VEFLED	U - 120V-277V 1 - 120V 2 - 277V 3 - 347V (347V Step Down Transformer)  *Must provide voltage when optional drivers are selected.	07 - 750 11 - 1100 15 - 1500 20 - 2000 30 - 3000 40 - 4000 50 - 5000 60 - 6000 70 - 7000	27K - 2700K 30K - 3000K 35K - 3500K 40K - 4000K 50K - 5000K  TWC - Tunable White Full Color (2700K-6500K)* TWW - Turnable White Warm Color (1800K-4000K)* DTW - Dim-to-Warm (1800K-3000K)**  *Available up to 2000 lumens **Available up to 5000 lumens	VVRL8011P VVRL8011FRP VVRL8014P VVRL8012D 20° VVRL8014D 40° VVRL8016D 60° VVRL8018D 80°	SCL Specular Clear  SGC Soft Glow Clear  WHT White Matte  *All trims supplied standard with white painted flange.	ZDM (standard) HCR PF AT DTD EM17 EM17 DMX EM20 DCA EM20 TDM EMI20 DMM EM-CW-LED DMMHO GR-8-xx" DL-2 GTD DL-3 SENSDYOC LDE1 BRGESEN PEQ0 PSQ0

### \*Lens Notes

- VVRL8011P - Medium 60° Clear Polycarbonate Lensed Reflector
- VVRL8011FRP - Medium 60° Frosted Polycarbonate Lensed Reflector
- VVRL8014P - Medium 60° Prismatic Acrylic Lensed Reflector
- VVRL8012D - BeamShaper® Lens, 20° Beam Angle Reflector
- VVRL8014D - BeamShaper® Lens, 40° Beam Angle Reflector
- VVRL8016D - BeamShaper® Lens, 60° Beam Angle Reflector
- VVRL8018D - BeamShaper® Lens, 80° Beam Angle Reflector

### \*\*Options Notes

- ZDM - 0-10V 1% dimming driver (standard)
- DTD - 0-10V 0.1% dimming driver. (up to 4000 lumens)
- DTDHL - 0-10V 0.1% dimming driver. (use with 5000 - 7000 lumens)
- DMX - DMX with RDM dimming driver, requires DCA
- DCA - Daisy Chain Adaptor
- TDM - Triac (Forward Phase, 120V only) dimming driver. (up to 5000 lumens)

- DMM - Dali Driver (Up To 5000 Lumens)
- DMMHO - Dali Driver (use with 6000 and 7000 Lumens)
- TWC - Tunable White Full Color 27k-65k, 90+ Cri With 0-10v Dual Control And 0.1% Dimming. (up to 2000 Lumens)
- TWW - Turnable White Warm Color 18k-40k, 90+ Cri With 0-10v Dual Control And 0.1% Dimming. (up to 2000 Lumens)
- DTW - Dim-to-Warm 18K-30K, 90CRI with 0-10V. (up to 5000 lumens)
- DL-2 - Lutron 2-Wire Hi-lume dimming driver. (up to 3000 lumens)
- DL-3 - Lutron Hi-lume 1% 3-wire dimming driver. (up to 3000 lumens)
- LDE1 - Lutron Hi-lume 1% with Soft-On, Fade-to-Black dimming driver. (up to 4000 lumens)
- PEQ0 - Lutron Hi-lume Premier 0.1% with Soft-On, Fade-to-Black dimming driver. (up to 4000 lumens)
- PSQ0 - Lutron Eco-system Tunable White Driver .1% (not available above 2000 lumens (requires TWW or TWC and ECOSYSTEM PROJECT ID)
- HCR - High CRI, 90+ minimum. (Not available in 5000 Kelvin)

- PF - Polished Flange
- EM17 - Battery Backup W/remote Test Button & Indicator Light (for 800-5000 Lumen Luminaires)
- EM117 - Battery Backup W/integral Test Button & Indicator Light (for 800-5000 Lumen Luminaires)
- EM20 - Battery Backup W/remote Test Button & Indicator Light (for Greater Than 5000 Lumen Luminaires)
- EM120 - Battery Backup W/integral Test Button & Indicator Light (for Greater Than 5000 Lumen Luminaires)
- EM-CW-LED - Cold Weather Rated Emergency Driver
- GR-8-xx" - 6" Goof Ring (inner Dimension - Specify outer dimension In place of 'xx')
- GTD - Generator Transfer Device
- SENSDYOC - Daylight/occupancy Sensor - remote mount
- BRGESEN - Bridge up to 400 Watts for Sesndyoc

Vantage reserves the right to change components, finishes or design details in any manner which does not alter the installed appearance or reduce performance and intended function.

# 8" Round, Vandal Resistant F-Class Gen V

Lensed, LED Downlight, 750-7000 Lumens

## Dimensional Data

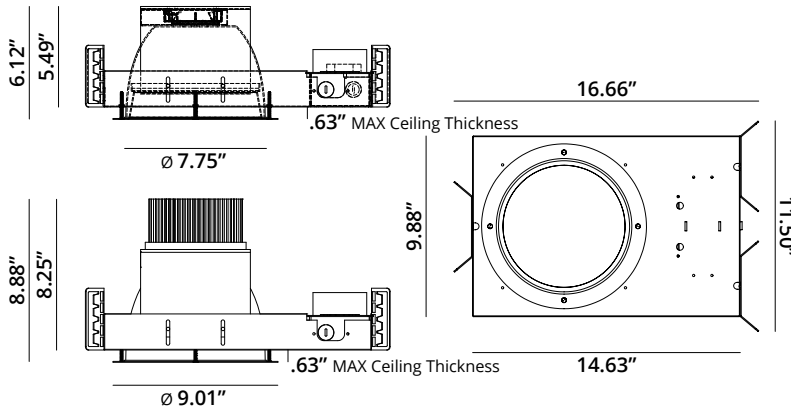
Ceiling Cut Out 7.75"

Above Ceiling Height with 5/8" Ceiling  
**5.49" ≤ 3000L**  
**5.81" 4000L & 5000L**

Above Ceiling Height Max Ceiling Thickness  
**1.31" - 4.81"**  
 Min Ceiling Thickness  
**0.25" - 5.87"**

Above Ceiling Height with 5/8" Ceiling  
**8.25" 6000L & 7000L**

Above Ceiling Height Max Ceiling Thickness  
**1.31" - 7.57"**  
 Min Ceiling Thickness  
**0.25" - 8.63"**



## Reflector Finishes / Lens Options



## Photometry

VVRL801P - 60° Medium Distribution

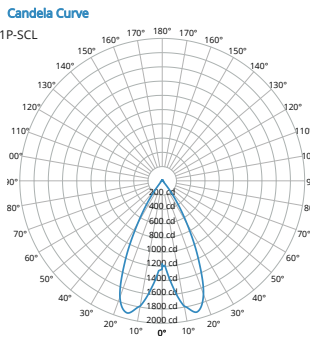
**Model**  
 VVR8VEFLEDU-2035K-VVRL8011P-SCL

**Lumens**  
 1,579

**Watts**  
 27.2

**Efficiency**  
 58.05

**SC**  
 1.07



Cone of Light		
Mounting Height AFF	FC at Center on Floor	Beam Diameter
8.0'	18 fc	8.2'
10.0'	12 fc	10.3'
12.0'	8 fc	12.3'
14.0'	6 fc	14.4'
16.0'	5 fc	16.4'
20.0'	3 fc	20.5'
24.0'	2 fc	24.6'
30.0'	1 fc	30.8'

Candela Table	
Zone	Lumens
0.00°	1,168
5.00°	1,439
10.00°	1,790
15.00°	1,904
20.00°	1,692
30.00°	691
40.00°	119
50.00°	29
60.00°	24
70.00°	16
80.00°	6
90.00°	6

Zonal Lumen Summary		
Zone	Lumens	% Luminaire
0° - 30°	1,215	77%
0° - 40°	1,431	91%
0° - 60°	1,497	95%
60° - 90°	42	3%
0° - 20°	680	43%
20° - 50°	794	50%
50° - 70°	45	3%
70° - 90°	20	1%
0° - 90°	1,539	97%
90° - 180°	40	3%
<b>Total</b>	<b>1,579</b>	<b>100%</b>

Spacing Criterion		
Height	Spacing	Light Level*
8 ft	8.6 ft	~ 18 fc
10 ft	10.7 ft	~ 12 fc
12 ft	12.8 ft	~ 8 fc
8 ft	6.4 ft	~ 32 fc
10 ft	8.0 ft	~ 21 fc
12 ft	9.6 ft	~ 14 fc
8 ft	4.3 ft	~ 73 fc
10 ft	5.4 ft	~ 47 fc
12 ft	6.4 ft	~ 32 fc

\* approximate direct light level at floor based on spacing criterion overlap

## MULTIPLIER

CRI	Multiplier	Kelvin	Multiplier	Reflector Finish	Multiplier
80	1	2700K	0.939	SCL	1
90	0.8	3000K	0.975	SGC	0.95
		3500K	1	WHT	0.87
		4000K	1.035		
		5000K	1.098		

Vantage reserves the right to change components, finishes or design details in any manner which does not alter the installed appearance or reduce performance and intended function.