

Catalog #	Quantity
Project	
Notes	Date
Prepared by	

# 6" LED/Capela®

LED 6" Open Micro Flange Downlight, 700-3000 Lumens



\*New construction frame & IC-Rated box sold separately

2700K 3000K 3500K 4000K



## Features

### Optics

Soft glow clear, specular clear and white finishes  
Efficient optical design  
15, 30, and 45 degree beam spreads

### Controls

0-10V to 1% driver standard  
0-10V to 0.1% &, Lutron, & Triac/Forward phase optional

### Construction

Self-flanged or micro-flanged cold-rolled steel housing  
Polyester powder coat  
Torsion springs for maximum ceiling retention  
Optional IC-rated up to 2,000 lumens With IC Box (NCFIC)  
Optional new construction frame (NCFAQ)

### Electrical

Advanced QuickConnect for easy installation  
High flux CoB array  
80+ CRI standard, 90+ CRI optional  
2700K, 3000K, 3500K, 4000K standard  
High- performance Dim-to-Warm optional  
70% lumen maintenance at 50,000 hours  
120 – 277V Universal Input standard

### Listings

Tested according to LM-79 and LM-80 standards  
ETL certified to UL 1598 and UL 8750 requirements  
Energy Star certified  
Suitable for damp locations; Wet location under covered ceiling;  
Not recommended for outdoor use  
Buy American Act

### Warranty

5-year limited warranty on LED components  
Warranty terms located at: <http://vantageltg.com/product-warranty/>

## Ordering Information

EXAMPLE: V6CORMU-3030K-L6070-SCL-M-WHT-NCFIC-DL-2

Series	Voltage*	Lumens	Kelvin	Reflector	Finish	Distribution	Flange Finish	Frame	Options*
<b>V6CORM</b>	<b>U</b> - 120V-277V <b>1</b> - 120 V <b>3</b> - 347V	<b>07</b> - 700 <b>13</b> - 1300 <b>20</b> - 2000 <b>30</b> - 3000	<b>27K</b> - 2700K <b>30K</b> - 3000K <b>35K</b> - 3500K <b>40K</b> - 4000K <b>DTW</b> - Dim-to-Warm (3000K-1800K)	<b>L6070</b>	<b>SCL</b> Specular Clear <b>SGC</b> Soft Glow Clear <b>WHT</b> White painted	<b>N</b> - 15° <b>M</b> - 30° <b>W</b> - 45°	<b>WHT</b> <b>BLK</b>	<b>NCFAQ</b> New Construction Frame <b>NCFIC</b> New Construction Frame w/ IC-RATED Box <b>RMDL</b> Remodeler	<b>DL-2</b> <b>LDE1</b> <b>L3D0</b> <b>LDE5</b> <b>EM</b> <b>HCR</b> <b>TDM</b> <b>XDM</b>

### \*Voltage Notes

- 1 - Lutron Drivers - please consult factory
- 3 - Step-down Transformer

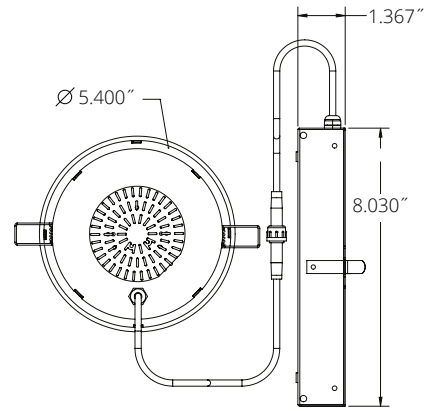
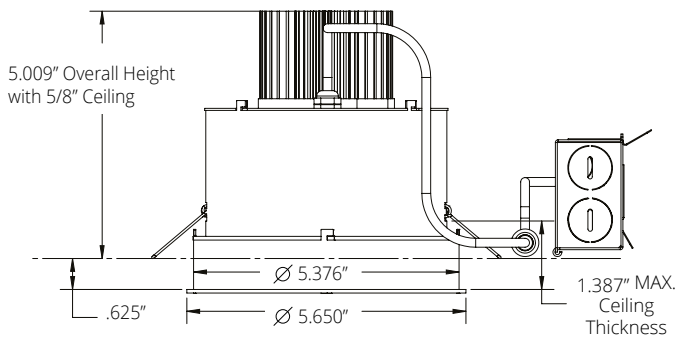
### \*Options Notes

- DL-2** - Lutron 2 wire Hi-Lume Dimming Driver.
- LDE1** - Lutron EcoSystem Fade-to-Black™.
- L3D0** - Hi-Lume Premier 0.1% EcoSystem.
- LDE5** - 5% Dimming EcoSystem.
- EM** - Emergency battery back-up. Remote test button & indicator Light.
- HCR** - 90+ CRI
- LDE1** - Lutron EcoSystem Fade-to-Black™
- TDM** - Triac Dimming Driver (Forward Phase). Only available in 120V only.
- XDM** - 0-10V 0.1% Dimming.

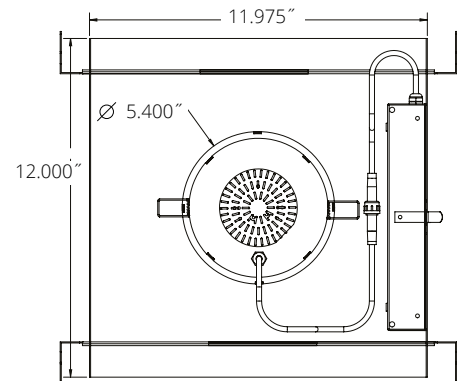
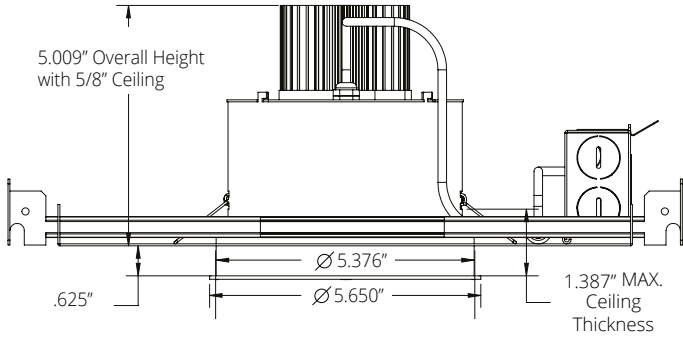
Vantage reserves the right to change components, finishes or design details in any manner which does not alter the installed appearance or reduce performance and intended function. | Capela® is a registered trademark of Vantage Lighting.

# Dimensional Data: LED 6" Open Micro Flange Downlight

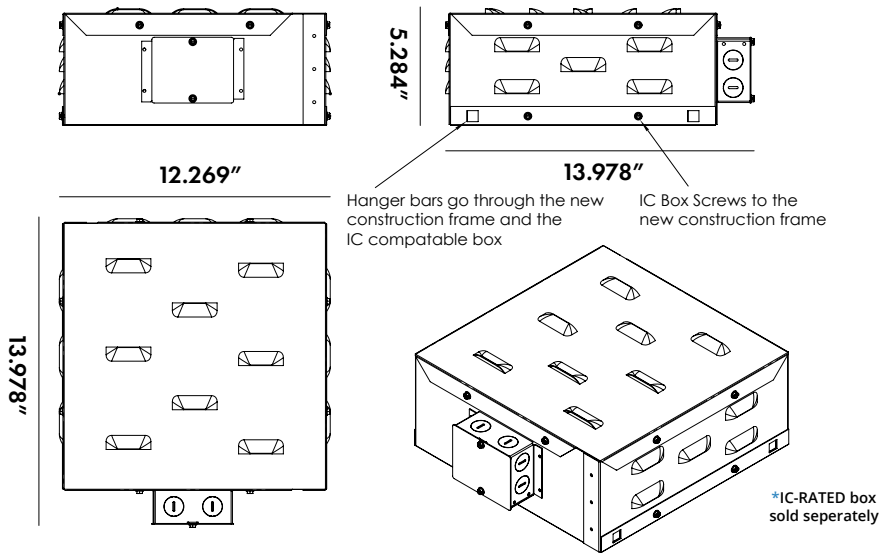
Remodeler (standard) Ceiling Cut Out 5.875"



New Construction Frame (FCFAQ) Ceiling Cut Out 5.875"



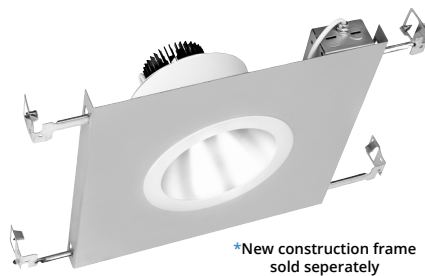
NCFIC (IC-RATED) Ceiling Cut Out 5.875"



RMDL (standard)



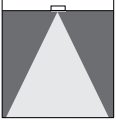
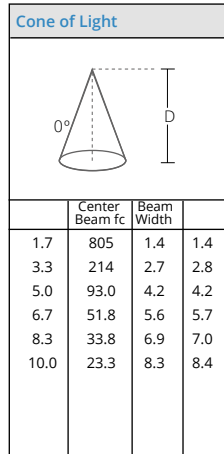
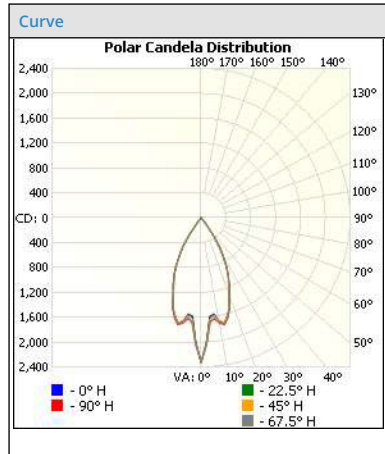
NCFQA (new construction frame)



# Photometric Data: LED 6" Open Micro Flange Downlight

## 15° Distribution

**Test Number**  
 103268734CRT-011  
**Model**  
 V6CORU-1335K-N  
**Lumens**  
 1283.8  
**Efficacy**  
 97.0  
**SC**  
 0.953


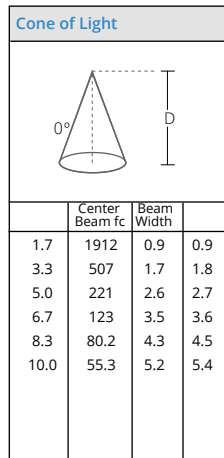
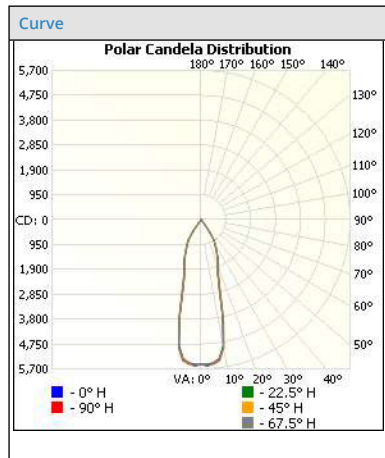



Candela Table	
Degrees Vertical	Candela
0.0	2326
5.0	1591
10.0	1681
15.0	1626
20.0	1312
25.0	1042
30.0	700
35.0	327
40.0	32
45.0	1
50.0	8
55.0	3
60.0	1
65.0	1
70.0	1
75.0	0
80.0	0
85.0	0
90.0	0

Zonal Lumen Summary		
Zone	Lumens	% Luminaire
0-30	1071.2	83.4
0-40	1273.7	99.2
10-60	1282.8	99.9
60-90	1.0	0.1
0-90	1283.8	100.0
90-180	0.0	0.0
0-180	1283.8	100.0

## 30° Distribution

**Test Number**  
 103268734CRT-010  
**Model**  
 V6CORU-3035K-M  
**Lumens**  
 2301.9  
**Efficacy**  
 82.5  
**SC**  
 0.992


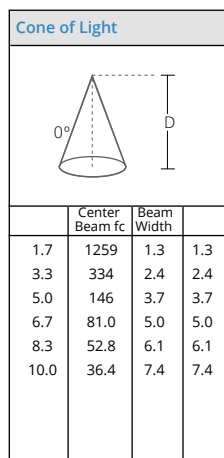
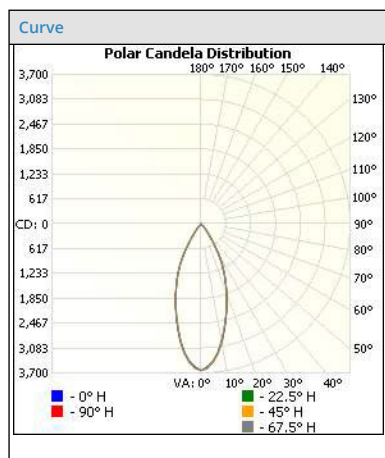



Candela Table	
Degrees Vertical	Candela
0.0	5526
5.0	5378
10.0	4878
15.0	2624
20.0	1856
25.0	1454
30.0	1057
35.0	497
40.0	49
45.0	0
50.0	0
55.0	0
60.0	0
65.0	0
70.0	0
75.0	0
80.0	0
85.0	0
90.0	0

Zonal Lumen Summary		
Zone	Lumens	% Luminaire
0-30	1968.7	85.5
0-40	2295.3	99.7
10-60	2301.9	100.0
60-90	0.0	0.0
0-90	2301.9	100.0
90-180	0.0	0.0
0-180	2301.9	100.0

## 45° Distribution

**Test Number**  
 103268734CRT-009  
**Model**  
 V6CORU-2035K-W  
**Lumens**  
 1872.5  
**Efficacy**  
 94.2  
**SC**  
 0.992

Candela Table	
Degrees Vertical	Candela
0.0	3638
5.0	3410
10.0	2950
15.0	2383
20.0	1849
25.0	1372
30.0	874
35.0	383
40.0	151
45.0	15
50.0	0
55.0	0
60.0	0
65.0	0
70.0	0
75.0	0
80.0	0
85.0	0
90.0	0

Zonal Lumen Summary		
Zone	Lumens	% Luminaire
0-30	1583.3	84.6
0-40	1840.5	98.3
0-60	1872.5	100.0
60-90	0.0	0.0
0-90	1872.5	100.0
90-180	0.0	0.0
0-180	1872.5	100.0

CAPELA Lumen Output Multipliers					
<b>CRI</b>	<b>MULTIPLIER</b>	<b>KELVIN</b>	<b>MULTIPLIER</b>	<b>FINISH</b>	<b>MULTIPLIER</b>
80	1	4000K	1.036	SCL	1
90	0.82	3500K	1	SGC	0.95
		3000K	0.974	WHT	0.87
		2700K	0.94		

# Photometric Data: LED 6" Open Micro Flange Downlight

## Lumens/Wattage

Nominal Lumens	Wattage*	CCT
700	7.56	3500K
1300	12.7	3500K
2000	19.6	3500K
3000	27.4	3500K

*\*Actual Wattage/Lumens may vary.*

## Emergency Lumen Output

Nominal Lumens	Wattage*	CCT
300	2.5	3500K

*\*Actual Wattage/Lumens may vary.*

## Dim-to-Warm Performance

Nominal Lumens	100%				1%			
	Wattage	CCT	CRI	R9	Wattage	CCT	CRI	R9
700	9.7	3100	95	85	2.9	1800	95	85
1300	13.2	3100	95	85	3.3	1800	95	85
2000	20.3	3100	95	85	3.8	1800	95	85