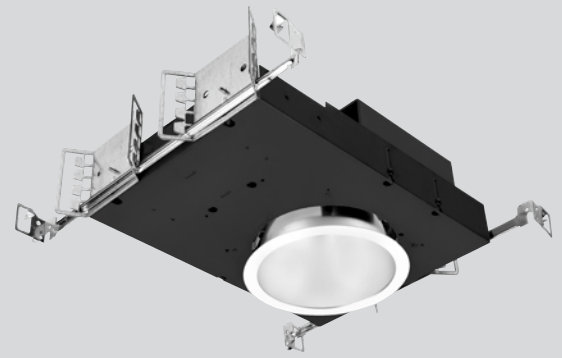


Part #	Prepared By
Project	Notes
Type	
Date	



6" Round, F-Class Gen V - IC-RATED

Open, LED Downlight, 750-7000 Lumens



Features & Specifications

ELECTRICAL SYSTEM

- 750 - 5000 Lumens
- 2700K - 5000K CCT
- Optional Tunable White, 2700K - 6500K or 1800K - 4000K CCT
- 80 CRI with 3 SDCM color consistency (+90 CRI optional)
- Standard 0-10V 1% dimming driver, ZDM; optional drivers available
- 120V - 277V Universal Input Volts, 347V option
- Minimum 50,000 hour lifetime at L70
- -20°C to 30°C Ambient Operating Temperature Range

OPTICS

- Precision spun architectural-grade reflector
- Reflectors available in Alzak® and painted finishes; Antimicrobial standard
- Distribution is free of streaks, striations and hotspots
- 60° Medium distribution
- 45° Cutoff

FRAME & MOUNTING

- Galvanized steel frame with integrated junction box featuring hinged access covers with spring retaining latches
- Vertically adjustable rigid formed mounting brackets that accept a variety of mounting bars with auxillary nail holes and T-bar slots
- T-Bars included, suitable for joist spacing from 12" to 24"
- Supports straight conduit runs - (3) 3/4" knockouts
- Through branch wiring - (8) #12 AWG (4 in, 4 out), 90°C conductors
- Accessibility to all LED components from below ceiling
- Flush to the ceiling reflectors, secured by high quality friction clips

Listings

- ETL certified to UL 1598 and UL8750 requirements
- Tested according to LM-79 and LM-80 standards
- Energy Star® certified versions available (see Vantage Energy Star® guide for details)
- Suitable for damp locations under covered ceiling
- IC-Rated: insulation can be in direct contact with luminaire
- Buy American Act (BAA)

Warranty & Notes

- 5-year limited warranty on LED module and driver
- www.vantageltg.com/product-warranty
- Photometric tests performed by an accredited NVLP facility and in accordance to IESNA LM-79-2008 testing procedures

Lumens*

Nominal Lumens	Delivered Lumens	Wattage	Lumens Per Watt
750	720	9.4	76.60
1100	1057	15.4	68.64
1500	1441	21.6	66.71
2000	1921	25.8	74.46
3000	2866	33.39	85.83
4000	3592	45.6	78.77
5000	4490	58.3	77.02

All measured at 3500K with a standard medium distribution
*Actual Wattage/Lumens may vary.

Ordering Information

EXAMPLE: AIC6VOFLEDU-1130K-M6060-SGC-ZDM

Series	Voltage	Lumens	Kelvin (CCT)	Reflector	Finishes	Options**
AIC6VOFLED	U - 120V-277V 1 - 120V 2 - 277V 3 - 347V (347V Step Down Transformer)	07 - 750 11 - 1100 15 - 1500 20 - 2000 30 - 3000 40 - 4000 50 - 5000	27K - 2700K 30K - 3000K 35K - 3500K 40K - 4000K 50K - 5000K TWC - Tunable White Full Color (2700k-6500k)* TWW - Turnable White Warm Color (1800k-4000k)* DTW - Dim-to-Warm (1800K-3000K)**	M6060 Medium 60° Open Reflector M6019 Non-Conductive Shower Trim	SCL Specular Clear SGC Soft Glow Clear WHT White Matte	ZDM (standard) HCR PF EM17 EM17 EM-CW-LED DCA GR-6-xx" GTD DMM SENSDYOC DMMHO BRGESEN

**Options Notes

- ZDM - 0-10V 1% dimming driver (standard)
- DTD - 0-10V 0.1% dimming driver. (up to 4000 lumens)
- DTDHL - 0-10V 0.1% dimming driver. (use with 5000 - 7000 lumens)
- DMX - DMX with RDM dimming driver, requires DCA
- DCA - Daisy Chain Adaptor
- TDM - Triac (Forward Phase, 120V only) dimming driver. (up to 5000 lumens)
- DMM - Dali Driver (up To 5000 Lumens)
- DMMHO - Dali Driver (use with 6000 and 7000 Lumens)
- TWC - Tunable White Full Color 27k-65k, 90+ Cri With 0-10v Dual Control And 0.1% Dimming. (up to 2000 Lumens)
- TWW - Turnable White Warm Color 18k-40k, 90+ Cri With 0-10v Dual Control And 0.1% Dimming. (up to 2000 Lumens)
- DTW - Dim-to-Warm 18K-30K, 90CRI with 0-10V. (up to 5000 lumens)
- HCR - High CRI, 90+ minimum. (Not available in 5000 Kelvin)
- PF - Polished Flange
- EM17 - Battery Backup W/remote Test Button & Indicator Light (for 800-5000 Lumen Luminaires)
- EM17 - Battery Backup W/integral Test Button & Indicator Light (for 800-5000 Lumen Luminaires)

- EM-CW-LED - Cold Weather Rated Emergency Driver
- GR-6-xx" - 6" Goof Ring (inner Dimension - Specify outer dimension In place of 'xx')
- GTD - Generator Transfer Device
- SENSDYOC - Daylight/occupancy Sensor - remote mount
- BRGESEN - Bridge up to 400 Watts for Sesndyoc

Vantage reserves the right to change components, finishes or design details in any manner which does not alter the installed appearance or reduce performance and intended function.

6" Round, F-Class Gen V - IC-RATED

Open, LED Downlight, 750-5000 Lumens

Dimensional Data

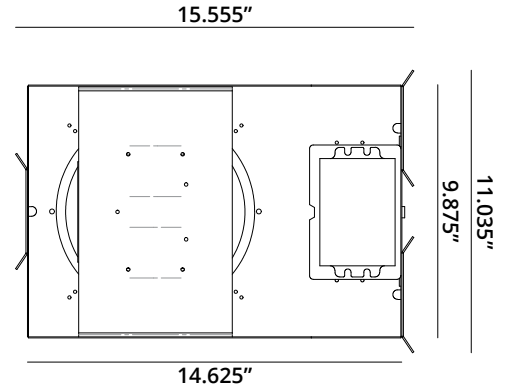
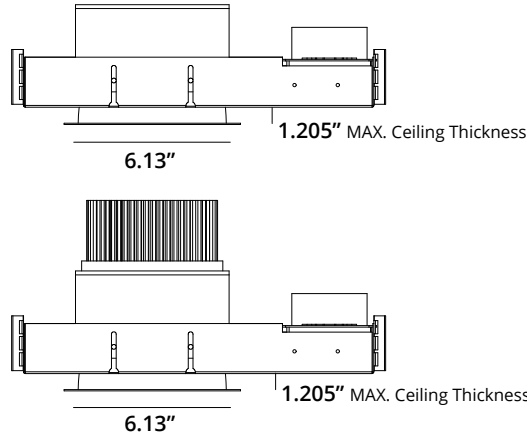
Ceiling Cut Out 6.13"

Overall Height with
5/8" Ceiling
4.01" ≤ 3000L
4.31" 4000L & 5000L

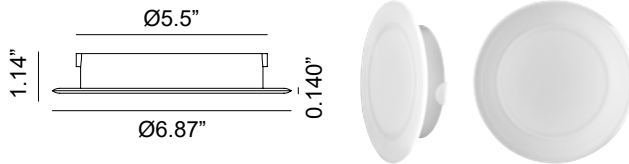
Overall Height
Min 3.45" with 1.25" ceiling
Max 4.5" with 0.25" ceiling
Add 0.30" for 4000 & 5000L

Overall Height with
5/8" Ceiling
6.76" 6000L & 7000L

Overall Height
Min 6.20" with 1.25" ceiling
Max 7.26" with 0.25" ceiling



M6019 - Non Conductive Shower Trim



Reflector Finishes



Photometry

M6060 - 60° Medium Distribution

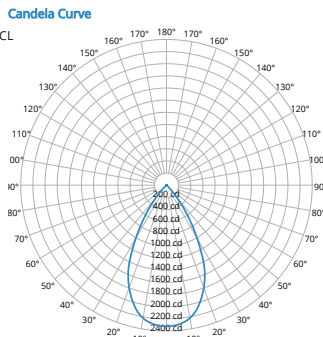
Model
AIC6VOFLEDU-2035K-M6060-SCL

Lumens
1,921

Watts
25.8

Efficacy
74.46

SC
0.89



Cone of Light		
Mounting Height AFF	FC at Center on Floor	Beam Diameter
8.0'	36 fc	8.6'
10.0'	23 fc	10.8'
12.0'	16 fc	12.9'
14.0'	12 fc	15.1'
16.0'	9 fc	17.2'
20.0'	6 fc	21.5'
24.0'	4 fc	25.8'
30.0'	3 fc	32.3'

Candela Table	
Angle	Candela
0.00°	2,322
5.00°	2,302
10.00°	2,223
15.00°	2,050
20.00°	1,796
30.00°	1,010
40.00°	275
50.00°	25
60.00°	10
70.00°	5
80.00°	2
90.00°	0

Zonal Lumen Summary			
Zone	Lumens	% Luminaire	
0° - 30°	1,442	75%	
0° - 40°	1,819	95%	
0° - 60°	1,910	99%	
60° - 90°	11	1%	
0° - 20°	788	41%	
20° - 50°	1,107	58%	
50° - 70°	22	1%	
70° - 90°	4	0%	
0° - 90°	1,921	100%	
90° - 180°	0	0%	
Total	1,921	100%	

Spacing Criterion		
Height	Spacing	Light Level*
8 ft	7.1 ft	~ 36 fc
10 ft	8.9 ft	~ 23 fc
12 ft	10.7 ft	~ 16 fc
8 ft	5.3 ft	~ 65 fc
10 ft	6.7 ft	~ 41 fc
12 ft	8.0 ft	~ 29 fc
8 ft	3.6 ft	~ 145 fc
10 ft	4.5 ft	~ 93 fc
12 ft	5.3 ft	~ 65 fc

* approximate direct light level at floor based on spacing criterion overlap

MULTIPLIER

CRI	Multiplier	Kelvin	Multiplier	Reflector Finish	Multiplier
80	1	2700K	0.939	SCL	1
90	0.8	3000K	0.975	SGC	0.95
		3500K	1	WHT	0.87
		4000K	10.35		
		5000K	1.098		

Vantage reserves the right to change components, finishes or design details in any manner which does not alter the installed appearance or reduce performance and intended function.