

# Architectural Induction

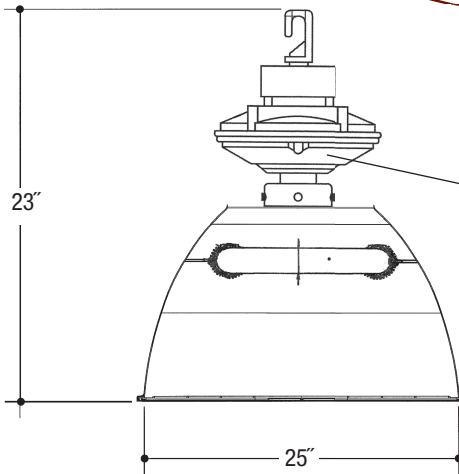
Job Name \_\_\_\_\_

Type \_\_\_\_\_

## 25" HIGH BAY 1 LT INDUCTION

**Features:**

- ♦ Long life - 100,000 hour lamp.
- ♦ Wide range of wattage options.
- ♦ Kelvin range of 2720-6500K. (5000K standard)
- ♦ Instant start.
- ♦ Flicker-free operation.
- ♦ High efficacy.
- ♦ 86Lm/W
- ♦ High CRI - >80.
- ♦ Low lamp depreciation (70% at 75,000 hrs.)



The Induction lamp system consists of lamp (supplied with fixture), power coupler and high frequency generator. Lamp positioned for maximum light output with minimal glare and smooth even illumination.

### High Bay – 25" Shade 1 LT Induction (Fulham Highhorse Induction Lighting System)

Catalog Number

**PGV25ID**  
Prismatic  
**LGV25ID**  
Lexan

**Wattage**

300W MAX  
250W  
200W  
150W

**Generator**

E

**Voltage**

1  
2

**Finish**

WHT  
BLK  
BZ  
CS  
CC

**Options**

CL  
WG  
SC  
DF  
DL  
WG  
CP

Fulham Induction Lamp included 5000°K standards.

**Specifications**

**Reflector Options** – Prismatic or Lexan

**Input voltage** – 120-277V

**Input frequency** – 50/60Hz

**THD** – <10%

**Power Factor** – >0.95

**Vibration tested** – to an ANSI C136.31-2001

**Generator** – Generator mounted to .125" thick heat sink for cool operation and maximum lamp life as recommended by lamp manufacturer.

**Consult factory for other induction options: wall packs, floods, shoeboxes, recessed, cylinder, highbay in wattages from 35W to 300W.**

**Generator**

E Electronic

**Voltage**

1 120 Volt  
2 277 Volt

**Options ▲**

CL Conical Lens  
WG Wire Guard  
SC Safety Cable  
DF Dimming  
DL Drop Prismatic Lens  
WG Wire Guard  
CP Cord and Plug

**Lumens**

200W = 17,000  
150W = 12,000

**Features**

Manufactured and Listed to UL 1598, ETL and CSA standards.  
Suitable for Damp Locations  
Wet location under covered ceiling

▲ See Options and Finishes pages for a list of additional finishes and equipment.

Vantage reserves the right to change components, finishes or design details in any manner which does not alter the installed appearance or reduce performance and intended function.

76 Community Avenue Plainfield, CT 06374  
voice (860)564.4512 fax (860)564.4854  
www.vantageitg.com

08/11



VANTAGE