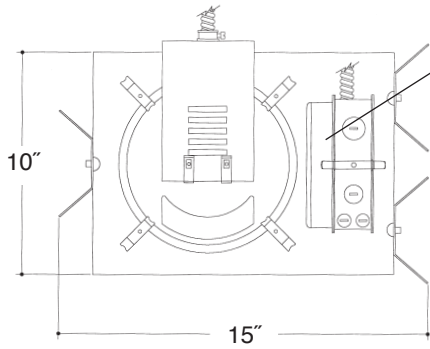


A r c h i t e c t u r a l G r a d e

Job Name _____

Type _____

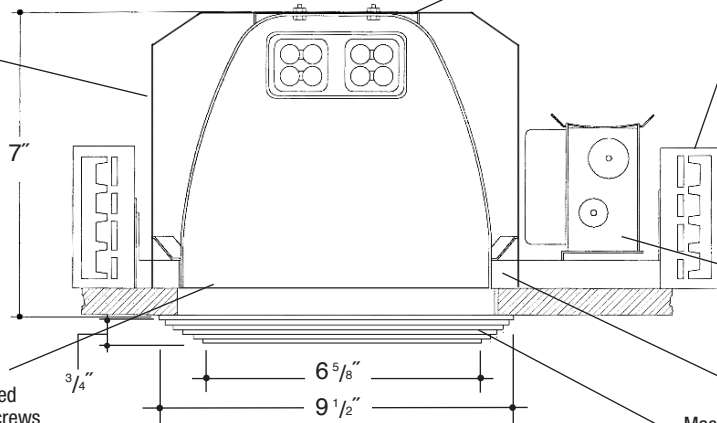


Electronic ballast, Class P, 50/60 HZ-120/277, Programmed Start, thermally protected, 98% Power Factor, 1.00 Ballast Factor, <10% THD, Class A sound rated. Minimum starting temperature -18°C/0°F. Magnetic ballast, High Power Factor, thermally protected, minimum starting temperature 10°C/50°F. UL Listed component.

VANDAL RESISTANT HORIZONTAL FLUORESCENT TRIPLE TUBE

Aluminum socket housing with zinc plated steel quick assembly hardware. UL Listed socket and electrical connectors.

Reflector support yoke.



Adjustable height electrogalvanized plated steel mounting ears with cutouts for various mounting methods. Standard bars (included) are innovative and incorporate rigid formed cross sections, joist positioning tabs, integral nails, auxiliary nailholes, T-Bar slots and holes for locking bars to T-Bar using #8 self-tapping screws (by others). Bars extend 14"-24". Ears will also accept Caddy Bar #520 for fast installation in T-Bar ceilings, bars extend 27".

Heavy gauge spun aluminum horizontal reflector with vandal resistant lens holder and stepped trim ring. Threaded panhead screws included for vandal resistance.

Heavy gauge electrogalvanized steel junction box, prewired and grounded with easy access from below, listed for through branch circuit wiring.

Electrogalvanized plated steel frame.

Machined aluminum stepped trim. Standard finish white. Black, Bronze and silver also available.

Rough in Kit – 8" Horizontal Fluorescent Vandal Resistant 2-Lamp (Compact Fluorescent Triple Tube)

Catalog Number **VVR8HF2**

VVR8HF2

Wattage

Ballast

Voltage

Options

57W MAX. PLT...
42W PLT
32W PLT
26W PLT
18W PLT

E
H
DA
DLECO

1
2
3
4

EM
F
PR

Ballast	E	Electronic	(4 Pin Lamp)
	H	High Power Factor	(2 Pin Lamp)
	DA	Dimming - Advance Mark X	(4 Pin Lamp)
	DLECO	Dimming - Lutron Ecosystem	(4 Pin Lamp)
	*	13 Watt Advance Mark VII Only	
Voltage	1	120 Volts	
	2	277 Volts	
	3	347 Volts (Electronic Ballast only)	
	4	208 Volts (Electronic Ballast Only)	
Options ▲	EM	Emergency Battery	
	F	Fused	
	PR	Plaster Ring	

•••1-Lamp only for 57W

Electronic Multi-Tap Ballast 120V Thru 277V Factory Standard

Finishing Kit – 8" Horizontal Fluorescent Vandal Resistant Reflector – clear reflector standard.

Catalog Number **VVR86**

VVR86

Lens

Reflector Finish

Stepped Trim Finish

Options

81 - Tempered Clear Lens
81P - Polycarbonate Clear Lens
84 - Tempered Prismatic Lens
84P - Polycarbonate Prismatic Lens
86 - Fresnel Lens

SCL
SGC
WHT

WHT
BLK
BZ
CS

GSK
TMR

Finish (Factory Standard)	SCL	Specular Clear "Alzak" Splay
	SGC	Soft Glow Clear "Alzak" Splay
	WHT	White Splay
Stepped Trim Finish	WHT	White
	BLK	Black
	BZ	Bronze
	CS	Camero Silver
Options ▲	GSK	Neoprene Foam Gasketing (Standard)
	TMR	Tamper Resistant Hardware (Standard)

Features

Manufactured and Listed to UL 1598, ETL and CSA standards.

Suitable for Damp Locations

Wet location under covered ceiling



▲ See Options and Finishes pages for a list of additional finishes and equipment.

Vantage reserves the right to change components, finishes or design details in any manner which does not alter the installed appearance or reduce performance and intended function.

76 Community Avenue Plainfield, CT 06374

voice (860) 564.4512 fax (860) 564.4854

www.vantageitg.com

10/11



VANTAGE