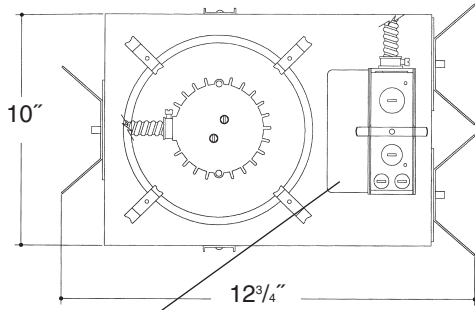


A r c h i t e c t u r a l G r a d e

Job Name _____

Type _____

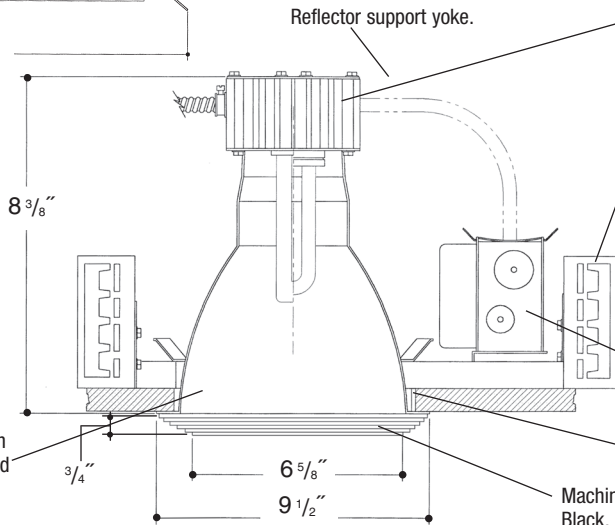


VANDAL RESISTANT VERTICAL FLUORESCENT

Electronic ballast, Class P, 50/60 HZ-120/277, Programmed Start, thermally protected, 98% Power Factor, 1.00 Ballast Factor, <10% THD, Class A sound rated. Minimum starting temperature -18°C/0°F.

Magnetic ballast, High Power Factor, thermally protected, minimum starting temperature 10°C/50°F. *UL Listed component.*

Heavy gauge spun aluminum reflector with vandal resistant lens holder and stepped trim ring. Lens is silicone sealed and supplied with neoprene foam gasketing. Threaded tamper-resistant panhead screws included for vandal resistance.



Aluminum heat sink socket cup with Zinc plated steel hardware and spring steel clips for fast assembly. *UL Listed socket.*

Adjustable height electrogalvanized plated steel mounting ears with cutouts for various mounting methods. Standard bars (included) are innovative and incorporate rigid formed cross sections, joist positioning tabs, integral nails, auxiliary nailholes, T-Bar slots and holes for locking bars to T-Bar using #8 self-tapping screws (by others). Bars extend 14"-24". Ears will also accept Caddy Bar #520 for fast installation in T-Bar ceilings, bars extend 27".

Heavy gauge electrogalvanized steel junction box, prewired and grounded with easy access from below, listed for through branch circuit wiring.

Electrogalvanized plated steel frame.

Machined aluminum stepped trim. Standard finish white. Black, Bronze and silver also available.

Rough in Kit – Vertical Fluorescent Vandal Resistant 1-Lamp (Compact Fluorescent Twin, Quad or Triple Tube)

Catalog Number **VVR8VF1**

VVR8VF1

Wattage

Ballast

Voltage

Options

42W MAX. PLT
32W PLT
26W DTT, PLT
18W DTT, PLT
13"W TT, DTT

E
H
DA
DL

1
2
3
4

EM
F
R
PR

Ballast

E Electronic (4 Pin Lamp)
H High Power Factor (2 Pin Lamp)
DA Dimming - Advance Mark X (4 Pin Lamp)
DL Dimming - Lutron (4 Pin Lamp)
***** 13W Advance Mark VII Only

Voltage

1 120 Volts
2 277 Volts
3 347 Volts (Electronic Ballast Only)
4 208 Volts (Electronic Ballast Only)

Options ▲

EM Emergency Battery
F Fused
R Remodeler
PR Plaster Ring

Electronic Multi-Tap Ballast 120V Thru 277V Factory Standard

Finishing Kit – Vertical Fluorescent Vandal Resistant Reflector - clear reflector standard with self trim flange

Catalog Number **VVR82**

VVR82

Lens

Reflector Finish

Stepped Trim Finish

Options

11 - Tempered Clear Lens
11P - Polycarbonate Clear Lens
14 - Tempered Prismatic Lens (C73 Pattern)
14P - Polycarbonate Prismatic Lens (C73 Pattern)
16 - Fresnel Lens

SCL
SGO
WHT

WHT
BLK
BZ
CS

Finish (Factory Standard)

SCL Specular Clear "Alzak"
SGO Specular Gold "Alzak"
WHT White Reflector

Stepped Trim Finish

WHT White
BLK Black
BZ Bronze
CS Camero Silver

Options ▲

Features

Manufactured and Listed to UL 1598, ETL and CSA standards.

Suitable for Damp Locations

Wet location under covered ceiling



▲ See Options and Finishes pages for a list of additional finishes and equipment.

Vantage reserves the right to change components, finishes or design details in any manner which does not alter the installed appearance or reduce performance and intended function.

Vantage



Luminaires

76 Community Avenue Plainfield, CT 06374

voice (860) 564.4512 fax (860) 564.4854

www.vantageltg.com

02/10