

Architectural Pendants

Job Name _____

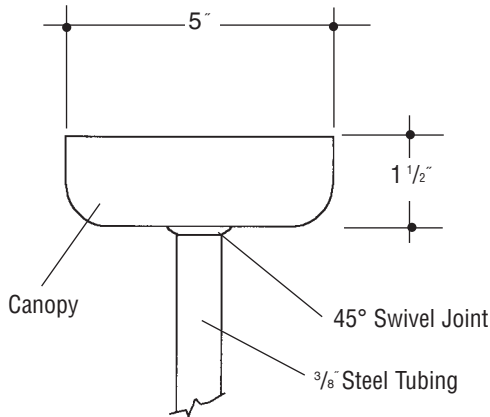
Type _____

PENDANT MOUNTING

Catalog Number _____ - _____ - _____

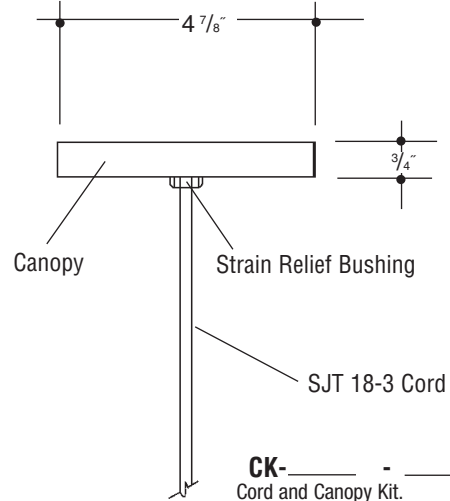
Mounting
Length
Color

Stem and Swivel Canopy - Suitable for use with Vantage Pendant Decorative fixtures.



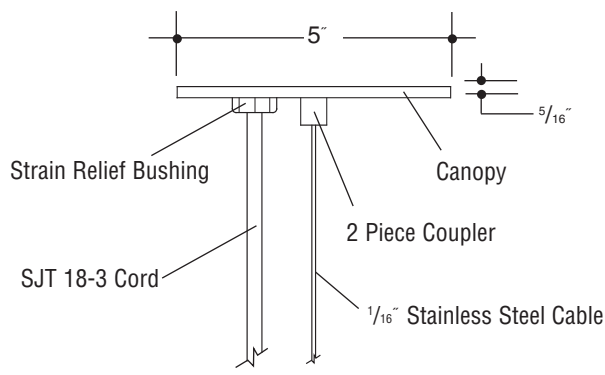
P- _____ - _____
3/8" Stem and Swivel Canopy Kit.
(Install over 4" Octagonal J-Box)
(Specify stem length and color, Black or White).

Cord and Canopy Kit - Suitable for use with Vantage Pendant Decorative fixtures.



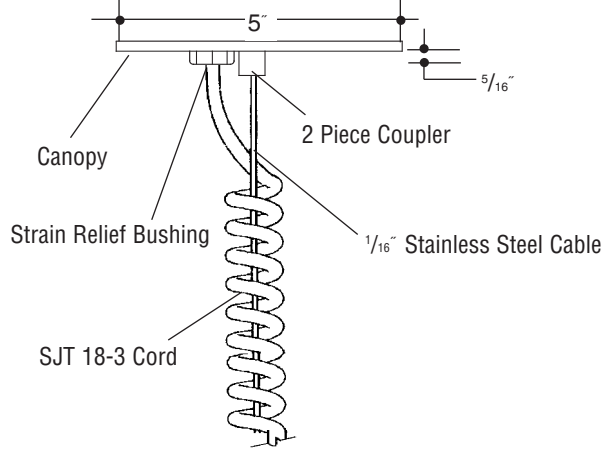
CK- _____ - _____
Cord and Canopy Kit.
(Install over 4" Octagonal J-Box)
(Specify cord length (72" standard) and color, Black or White).

Cord and Cable Kit - Suitable for use with Vantage Pendant Decorative fixtures.



CCK- _____ - _____
Cord and Cable Kit.
(Install over 4" Octagonal J-Box)
(Specify cord, cable length and color, Black or White).

Coiled Cord and Cable Kit - Suitable for use with Vantage Pendant Decorative fixtures.



CCCK- _____ - _____
Coiled Cord and Cable Kit.
(Install over 4" Octagonal J-Box)
(Specify coiled cord, cable length, and color, Black or White).

Features

Manufactured and Listed to UL 1598, ETL and CSA standards.
Suitable for Damp Locations
Wet location under covered ceiling



▲ See Options and Finishes pages for a list of additional finishes and equipment.

Vantage reserves the right to change components, finishes or design details in any manner which does not alter the installed appearance or reduce performance and intended function.

Vantage



Luminaires

76 Community Avenue Plainfield, CT 06374
voice (860)564.4512 fax (860)564.4854
www.vantageltg.com

07/07