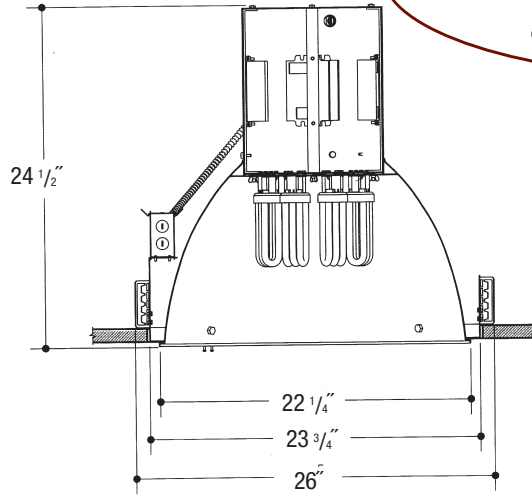
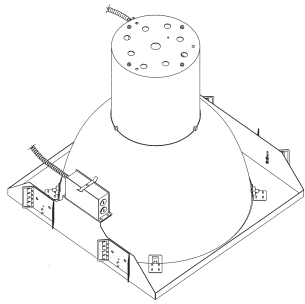


Architectural Pendants Lights

Job Name _____

Type _____



**2'x2' RECESSED
22" HIGH BAY
8 or 9 LT CFL**

RAGV

Recessed High Bay – 22" Aluminum 8 or 9-Lamp (Compact Fluorescent PLH, Triple or Quad Tube)

Catalog Number

**RAGV22HB
Aluminum**

Lamp Qty. ♦	Wattage	Switch Leg Qty.	Ballast	Voltage	Finish	Options
2	57W* DT	1	E	1	WHT	BL
3	42W PLT	2	DA	2	BLK	DL
4	32W PLT	3		3	BZ	CL
6	26W PLT, DTT	4		4	CS	16CSB
8					CC	WG
9						REM
						LP

♦ Consult Factory for Maximum Lamp/Wattage Combination.

Specifications

Housing – .064" thick spun aluminum cylinder. Vented for proper ballast operating temperature. Polyester powdercoat exterior finish with factory standard finishes White (WHT), Black (BLK), Bronze (BZ), Camero Silver (CS), Custom Color (CC).

Rough In Kit – Electrogalvanized plated steel frame components, prewired and grounded junction box, listed for through branch circuit wiring. Adjustable height mounting ears with cutouts for various mounting methods.

Socket – High temperature, Thermo-plastic lamp base rotates and locks into lamp holder. Vibration and earthquake resistant. *UL Listed.*

Ballast – High frequency 50/60Hz electronic ballast. Thermally protected. Min. starting temperature of -18°C/0°F, with a THD of <10%. End of lamp life circuit protection. Power Factor >96%.

Reflector – Heavy gauge, high purity, spun aluminum. Polyester powdercoat finish.

Ballast

E Electronic
DA Dimming - Advance Mark X

Voltage

1 120 Volt
2 277 Volt
3 347 Volt
4 208 Volt

Options ▲

BL Flat, Clear, Acrylic Bottom Lens
DL Drop Prismatic Lens
CL Conical Lens
16CSB 16 Cell Straight Blade
WG Wire Guard
REM Remote Emergency Battery
LP Lamps

Features

Manufactured and Listed to UL 1598, ETL and CSA standards.
Suitable for Damp Locations
Wet location under covered ceiling



▲ See Options and Accessories page 594 for a list of additional equipment.

Vantage reserves the right to change components, finishes or design details in any manner which does not alter the installed appearance or reduce performance and intended function.

76 Community Avenue Plainfield, CT 06374
voice (860)564.4512 fax (860)564.4854
www.vantageitg.com

08/11



VANTAGE