

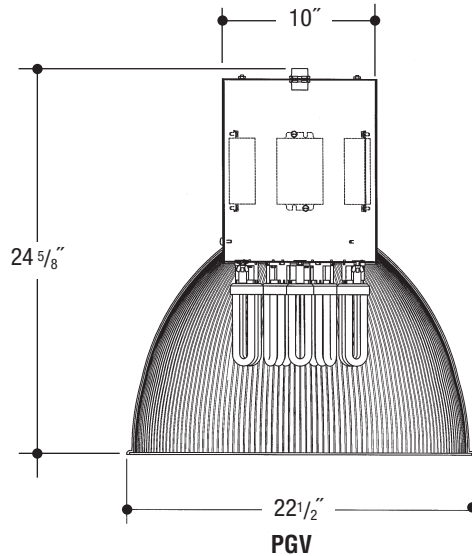
Architectural Pendants Lights

Job Name _____

Type _____



(DL Option Shown)



**22" HIGH BAY
8 or 9 LT CFL**

High Bay – 22" Acrylic or Lexan Prismatic 8 or 9-Lamp (Compact Fluorescent PLH, Triple or Quad Tube)

Catalog Number _____

	Lamp Qty. ♦	Wattage	Switch Leg Qty. ✓	Ballast	Voltage	Finish	Options
PGV22HB Acrylic	2	57W MAX. DT	1	E	1	WHT	BL** HCP
	3	42W PLT	2	DA	2	BLK	DL** P-(XX)
LGV22HB Lexan	4	32W PLT	3		3	BZ	CL** REM
	6	26W PLT, DTT	4		4	CS	WG LP
	8					CC	FWG SC
	9						HC

- * 57W Available in 6 Lamp MAX Only
- ♦ Consult Factory for Maximum Lamp/Wattage Combination.
- ✓ Multiple Switch Legs must be Pendant Mounted.

** 8 lamp MAX for lensed.

Specifications

Housing – .064" thick spun aluminum cylinder. Vented for proper ballast operating temperature. Polyester powdercoat exterior finish with factory standard finishes White (WHT), Black (BLK), Bronze (BZ), Camero Silver (CS), Custom Color (CC).

Socket – High temperature, Thermo-plastic lamp base rotates and locks into lamp holder. Vibration and earthquake resistant. *UL Listed.*

Ballast – High frequency 50/60Hz electronic ballast. Thermally protected. Min. starting temperature of -18°C/0°F, with a THD of <10%. End of lamp life circuit protection. Power Factor >96%.

Reflector – Heavy gauge, high purity, spun aluminum. Polyester powdercoat finish.

Pendant – Pendant mount accepts slope ceilings with a 45° swivel adjustment. Factory Standard stem length is 12".

Hook, Cord and Plug – Die-Cast aluminum hook, 3-conductor rubber jacketed cable (16/3) and heavy duty Twist-Lock plug with proper NEMA configuration for specified voltage, prewired to ballast. Consult Factory for additional options.

Ballast

- E Electronic
- DA Dimming - Advance Mark X

Voltage

- 1 120 Volt
- 2 277 Volt
- 3 347 Volt
- 4 208 Volt

Options ▲

- BL Flat, Clear Bottom Lens
- DL Drop Prismatic Lens
- CL Conical Lens
- WG Wire Guard
- FWG Full Wire Guard
- HC Die-Cast Hook, 16/3 Cord
- HCP Die-Cast Hook, 16/3 Cord, NEMA Twist Lock Plug
- P-(XX) Pendant Mount Swivel Canopy (Specify Length)
- REM Remote Emergency Battery (Pendant Only)
- LP Lamps
- SC Safety Cable

Reflexor® by LEXALITE®

Features

Manufactured and Listed to UL 1598, ETL and CSA standards.
Suitable for Damp Locations
Wet location under covered ceiling



▲ See Options and Accessories page 594 for a list of additional equipment.

Vantage reserves the right to change components, finishes or design details in any manner which does not alter the installed appearance or reduce performance and intended function.

76 Community Avenue Plainfield, CT 06374
voice (860) 564.4512 fax (860) 564.4854
www.vantageitg.com

11/10



VANTAGE

Photometric Information

Product Number: PGV22HB842E
Housing: .064" Aluminum Cylinder, High Temperature Sockets
Refractor: 22" Clear Prismatic Acrylic
LTL Test Number: 07021
Lamp(s) Source: (8) 42W DT 4 pin lamps rated at 3200 lumens
Total Luminaire Efficiency: 73.7%
CIE Type: Semi-Direct
Luminaire Spacing Criterion: 1.4
Luminous Diameter: 21.500

Zonal Lumen Summary

ZONE	LUMENS	%LAMP	%FIXTURE
0- 30	3648	14.2	19.3
0- 40	5919	23.1	31.4
0- 60	10103	39.5	53.5
0- 90	13665	53.4	72.4
90-120	3108	12.1	16.5
90-130	3879	15.2	20.6
90-150	4847	18.9	25.7
90-180	5208	20.3	27.6
0-180	18873	73.7	100.0

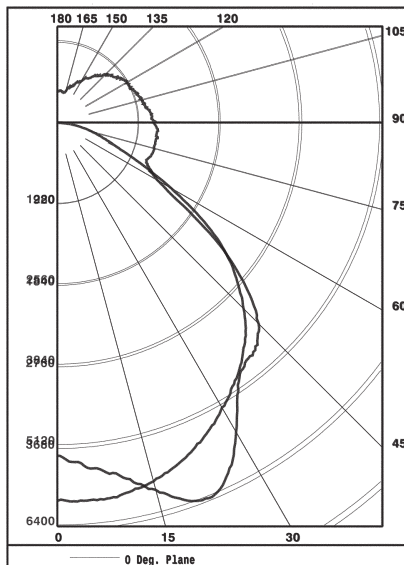
Cone of Light

Ft. Fc Dia
Below Nadir @50%

6.0	104.4	8.7
8.0	58.8	11.6
10.0	37.6	14.5
12.0	26.1	17.4
14.0	19.2	20.3
16.0	14.7	23.2

Coefficients of Utilization

RC	80				70				50				30				10				0
	70	50	30	10	70	50	30	10	50	30	10	50	30	10	50	30	10	50	30	10	
0	83	83	83	83	79	79	79	79	71	71	71	63	63	63	57	57	57	53			
1	75	71	68	64	71	67	64	61	60	58	56	54	52	51	48	47	46	43			
2	68	62	57	53	64	59	54	50	53	49	46	47	45	42	42	40	38	36			
3	62	55	49	44	59	52	47	43	47	43	39	42	39	36	38	35	33	31			
4	57	49	43	38	54	46	41	36	42	37	34	38	34	31	34	31	29	26			
5	52	43	37	32	49	41	36	31	37	33	29	34	30	27	31	27	25	23			
6	48	39	33	28	46	37	31	27	34	29	25	31	27	24	28	24	22	20			
7	45	35	29	24	42	33	28	24	30	26	22	28	24	21	25	22	19	17			
8	41	31	25	21	39	30	24	20	27	23	19	25	21	18	23	19	17	15			
9	38	28	22	18	36	27	21	18	25	20	17	22	18	15	20	17	14	13			
10	35	26	20	16	33	25	19	16	22	18	15	20	16	14	19	15	13	11			



VANTAGE

01/11