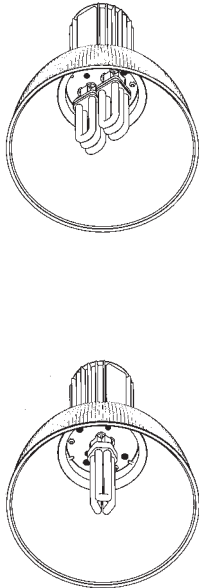


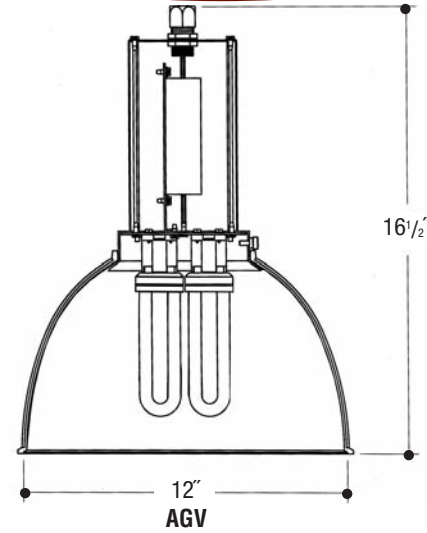
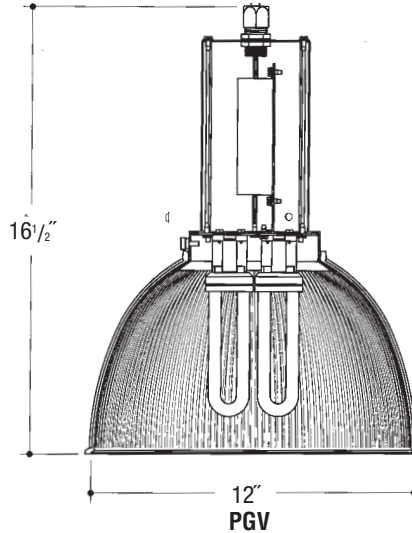
# Architectural Pendants

Job Name \_\_\_\_\_

Type \_\_\_\_\_



**12" LOW BAY  
2 LT CFL**



## High Bay – 12" Aluminum, Acrylic or Lexan Prismatic 2-Lamp (Compact Fluorescent, Triple or Quad Tube)

Catalog Number \_\_\_\_\_

	Lamp Qty. ♦	Wattage	Switch Leg Qty.	Ballast	Voltage	Finish	Options
<b>AGV12LB</b> Aluminum	1	42W, 32W PLT	1	E	1	WHT	BL
<b>PGV12LB</b> Acrylic	2	26W PLT, DTT 18W PLT, DTT 13W* DTT	2	DA	2 3 4	BLK BZ CS CC	DL CL P-(XX) REM LP SC CCCK
<b>LGV12LB</b> Lexan							

♦ Consult Factory for Maximum Lamp/Wattage Combination.

### Specifications

**Housing** – .064" thick spun aluminum cylinder. Vented for proper ballast operating temperature. Polyester powdercoat exterior finish with factory standard finishes White (WHT), Black (BLK), Bronze (BZ), Camero Silver (CS), Custom Color (CC).

**Socket** – High temperature, Thermo-plastic lamp base rotates and locks into lamp holder. Vibration and earthquake resistant. *UL Listed.*

**Ballast** – High frequency 50/60Hz electronic ballast. Thermally protected. Min. starting temperature of -18°C/0°F, with a THD of <10%. End of lamp life circuit protection. Power Factor >96%.

**Reflector** – Heavy gauge, high purity, spun aluminum. Polyester powdercoat finish.

**Refractor** – Spectrus Lexalite® prismatic refractor provides excellent efficiency, upright component gives the illuminated space lower contrast and better uniformity. Lexan refractor provides more rugged performance in an abusive environment.

**Pendant** – Pendant mount accepts slope ceilings with a 45° swivel adjustment. Factory Standard stem length is 12".

**Coiled Cord and Cable Kit** – Provided with canopy and 2 piece coupler as well as strain relief bushing. Cable is 1/16" stainless steel with SJT 18-3 cord. Install over 4" octagonal junction box. Specify length and color (Black or White).

### Ballast

E	Electronic	
DA	Dimming - Advance Mark X	(Available in 1 Lamp only)
*	13 Watt Advance Mark VII Only	(Available in 1 Lamp only)

### Voltage

1	120 Volt
2	277 Volt
3	347 Volt
4	208 Volt

### Options ▲

BL	Flat, Clear Bottom Lens
DL	Drop Prismatic Lens
CL	Conical Lens
P-(XX)	Pendant Mount Swivel Canopy (Specify Length)
REM	Remote Emergency Battery (Pendant Only)
LP	Lamps
SC	Safety Cable
CCCK	Coiled Cord and Cable Kit

Reflexor® by LEXALITE®

### Features

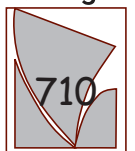
Manufactured and Listed to UL 1598, ETL and CSA standards.  
Suitable for Damp Locations  
Wet location under covered ceiling



▲ See Options and Accessories page 594 for a list of additional equipment.

Vantage reserves the right to change components, finishes or design details in any manner which does not alter the installed appearance or reduce performance and intended function.

Vantage



Luminaires

76 Community Avenue Plainfield, CT 06374  
voice (860)564.4512 fax (860)564.4854  
www.vantageitg.com

07/07