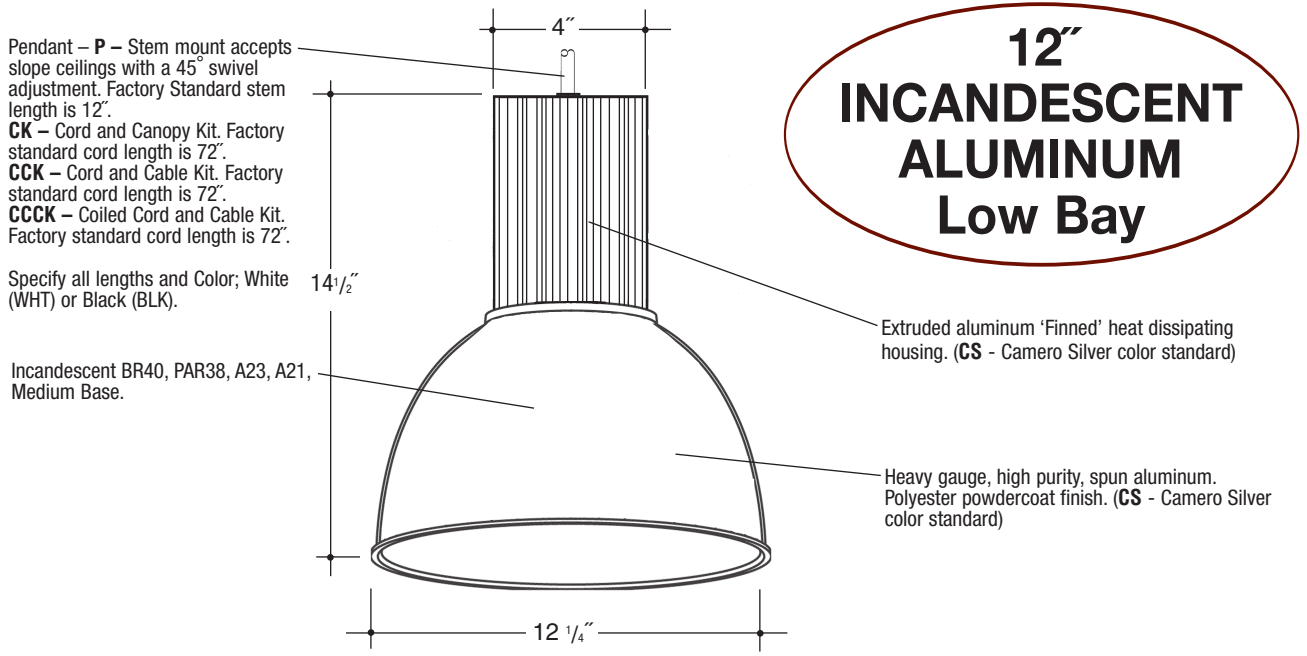


Architectural Pendants

Job Name _____

Type _____



DecoBay – 12" Incandescent Pendant Mounted Clear Aluminum Reflector (300W BR40; 250W PAR38; 200W A23; 150W A21).

Catalog Number **AGVLB12INC**

	Wattage	Voltage	Color	Shade Outer	Shade Inner	Mounting	Options
AGVLB12INC	300W MAX. BR40 250W PAR38 200W A23 150W A21	120	WHT BLK BZ CS CC	CS WHT BLK BZ CC	CS WHT	P-_____ CK-_____ CCK-_____ CCCK-_____	BL DL CL

Specifications

Housing – .064" thick spun aluminum cylinder. Vented for proper ballast operating temperature. Polyester powdercoat exterior finish with factory standard finishes White (WHT), Black (BLK), Bronze (BZ), Camero Silver (CS) (Standard), Custom Color (CC).

Socket – UL Listed medium porcelain socket, with nickel plated brass screw shell.

Lamp – Incandescent BR40, PAR38, A23, A21, Medium Base. (300W PS35 Mogul Base Consult Factory.)

Reflector – Heavy gauge, high purity, spun aluminum. Polyester powdercoat finish.

Pendant – P – Stem mount accepts slope ceilings with a 45° swivel adjustment. Factory Standard stem length is 12". **CK** – Cord and Canopy Kit. Factory standard cord length is 72". **CCK** – Cord and Cable Kit. Factory standard cord length is 72".

CCCK – Coiled Cord and Cable Kit. Factory standard cord length is 72". Specify all lengths and Color; White (WHT) or Black (BLK).

Voltage

1 120 Volt

Color

WHT White
BLK Black
BZ Bronze
CS Camero Silver (Standard)
CC Custom Color

Mounting ▲

P – 3/8" Stem and Swivel Canopy Kit. (Specify stem length-WHT/BLK).
CK – Cord and Canopy Kit. (Specify cord length-WHT/BLK).
CCK – Cord and Cable Kit. (Specify cord and cable length-WHT/BLK).
CCCK – Coiled Cord and Cable Kit. (Specify coiled cord and cable length-WHT/BLK).

Options ▲

BL Flat, Clear Bottom Lens
DL Drop Prismatic Lens
CL Conical Lens

Reflexor® by LEXALITE®

Features

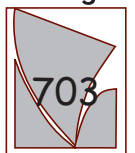
Manufactured and Listed to UL 1598, ETL and CSA standards.
Suitable for Damp Locations
Wet location under covered ceiling



▲ See Options and Accessories page 10-90 for a list of additional equipment.

Vantage reserves the right to change components, finishes or design details in any manner which does not alter the installed appearance or reduce performance and intended function.

Vantage



76 Community Avenue Plainfield, CT 06374
voice (860)564.4512 fax (860)564.4854
www.vantageitg.com

12/10

Luminaires