

Architectural Pendants

Job Name _____

Type _____

Pendant – P – Stem mount accepts slope ceilings with a 45° swivel adjustment. Factory Standard stem length is 12".

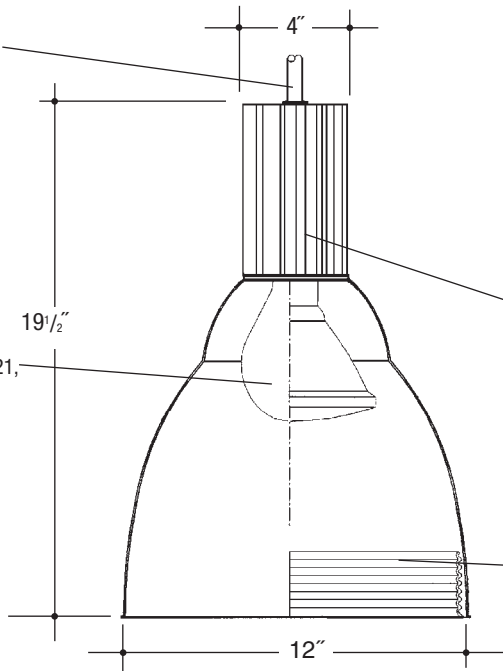
CK – Cord and Canopy Kit. Factory standard cord length is 72".

CCK – Cord and Cable Kit. Factory standard cord length is 72".

CCCK – Coiled Cord and Cable Kit. Factory standard cord length is 72".

Specify all lengths and Color; White (WHT) or Black (BLK).

Incandescent BR40, PAR38, A23, A21, Medium Base. (300W PS35 Mogul Base Consult Factory.)



12" INCANDESCENT ALUMINUM DecoBay

Extruded aluminum 'Finned' heat dissipating housing. (CS - Camero Silver color standard)

Heavy gauge spun aluminum reflector with Specular Clear "Alzak" finish or multi-groove baffle. (Exterior color CS - Camero Silver standard.)

DecoBay – 12" Incandescent Pendant Mounted Spun Aluminum Reflector (300W BR40; 250W PAR38; 200W A23; 150W A21).

Catalog Number **AGVDB12INC**

	Wattage	Voltage	Color	Reflector Finish	Mounting	Options
AGVDB12INC	300W MAX. BR40 250W PAR38 200W A23 150W A21	120	WHT BLK BZ CS CC	SCL SCL/BL	P-____-____ CK-____-____ CCK-____-____ CCCK-____-____	

Mogul Base Lamp – Replace AGVDB12INC with AGVDB12INCM – MAX. 300W PS35 Consult Factory

Specifications

Housing – Extruded aluminum 'Finned', vented for proper ballast operating temperature. Polyester powdercoat exterior finish with factory standard finishes White (WHT), Black (BLK), Bronze (BZ), Camero Silver (CS) (Standard), Custom Color (CC).

Socket – UL Listed medium or mogul base porcelain socket, with nickel plated brass screw shell.

Lamp – Incandescent BR40, PAR38, A23, A21, Medium Base. (300W PS35 Mogul Base Consult Factory.)

Reflector – Heavy gauge, high purity, specular clear "Alzak", spun aluminum.

Pendant – P – Stem mount accepts slope ceilings with a 45° swivel adjustment. Factory Standard stem length is 12". **CK** – Cord and Canopy Kit. Factory standard cord length is 72". **CCK** – Cord and Cable Kit. Factory standard cord length is 72".

CCCK – Coiled Cord and Cable Kit. Factory standard cord length is 72". Specify all lengths and Color; White (WHT) or Black (BLK).

Voltage

1 120 Volt

Color

WHT White
BLK Black
BZ Bronze
CS Camero Silver (Standard)
CC Custom Color

Reflector Finish ▲

SCL Specular Clear "Alzak"
SCL/BL Specular Clear "Alzak" and Black Baffle

Mounting ▲

P – 3/8" Stem and Swivel Canopy Kit. (Specify stem length-WHT/BLK).
CK – Cord and Canopy Kit. (Specify cord length-WHT/BLK).
CCK – Cord and Cable Kit. (Specify cord and cable length-WHT/BLK).
CCCK – Coiled Cord and Cable Kit. (Specify coiled cord and cable length-WHT/BLK).

Options ▲

Reflexor® by LEXALITE®

Features

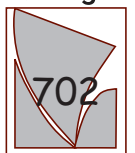
Manufactured and Listed to UL 1598, ETL and CSA standards. Suitable for Damp Locations Wet location under covered ceiling



▲ See Options and Finishes pages for a list of additional finishes and equipment.

Vantage reserves the right to change components, finishes or design details in any manner which does not alter the installed appearance or reduce performance and intended function.

Vantage



Luminaires

76 Community Avenue Plainfield, CT 06374
voice (860)564.4512 fax (860)564.4854
www.vantageitg.com

12/09