

# Architectural Pendants

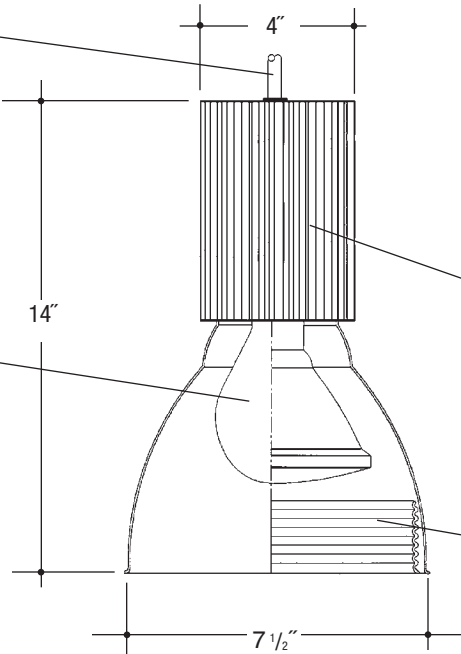
Job Name \_\_\_\_\_

Type \_\_\_\_\_

Pendant – P – Stem mount accepts slope ceilings with a 45° swivel adjustment. Factory Standard stem length is 12".  
**CK** – Cord and Canopy Kit. Factory standard cord length is 72".  
**CCK** – Cord and Cable Kit. Factory standard cord length is 72".  
**CCCK** – Coiled Cord and Cable Kit. Factory standard cord length is 72".

Specify all lengths and Color; White (WHT) or Black (BLK).

Incandescent A23, A21, PAR38, PAR30, Medium Base.



**8"**  
**INCANDESCENT**  
**ALUMINUM**  
**DecoBay**

Extruded aluminum 'Finned' heat dissipating housing. (CS - Camero Silver color standard)

Heavy gauge spun aluminum reflector with Specular Clear "Alzak" finish or multi-groove baffle. (Exterior color CS - Camero Silver standard.)

**DecoBay – 8" Incandescent Pendant Mounted Spun Aluminum Reflector (200W A23; 150W A21; 150W PAR38; 100W PAR30).**  
 Catalog Number **AGVDB8INC**

	Wattage	Voltage	Color	Reflector Finish	Mounting	Options
<b>AGVDB8INC</b>	200W MAX. A23 150W A21 150W PAR38 100W PAR30	120	WHT BLK BZ CS CC	SCL SCL/BL	P-____-____ CK-____-____ CCK-____-____ CCCK-____-____	DD-03

**Specifications**

**Housing** – Extruded aluminum 'Finned', vented for proper ballast operating temperature. Polyester powdercoat exterior finish with factory standard finishes White (WHT), Black (BLK), Bronze (BZ), Camero Silver (CS) (Standard), Custom Color (CC).

**Socket** – UL Listed medium base porcelain socket, with nickel plated brass screw shell.

**Lamp** – Incandescent A23, A21, PAR38, PAR30, Medium Base.

**Reflector** – Heavy gauge, high purity, specular clear "Alzak", spun aluminum.

**Pendant – P** – Stem mount accepts slope ceilings with a 45° swivel adjustment. Factory Standard stem length is 12". **CK** – Cord and Canopy Kit. Factory standard cord length is 72". **CCK** – Cord and Cable Kit. Factory standard cord length is 72".

**CCCK** – Coiled Cord and Cable Kit. Factory standard cord length is 72".

Specify all lengths and Color; White (WHT) or Black (BLK).

**Voltage**

1 120 Volt

**Color**

WHT White  
 BLK Black  
 BZ Bronze  
 CS Camero Silver (Standard)  
 CC Custom Color

**Reflector Finish ▲**

SCL Specular Clear "Alzak"  
 SCL/BL Specular Clear "Alzak" and Black Baffle

**Mounting ▲**

P – 3/8" Stem and Swivel Canopy Kit. (Specify stem length-WHT/BLK).  
 CK – Cord and Canopy Kit. (Specify cord length-WHT/BLK).  
 CCK – Cord and Cable Kit. (Specify cord and cable length-WHT/BLK).  
 CCCK – Coiled Cord and Cable Kit. (Specify coiled cord and cable length-WHT/BLK).

**Options ▲**

DD-03 DecoDisc

**Features**

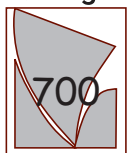
Manufactured and Listed to UL 1598, ETL and CSA standards.  
 Suitable for Damp Locations  
 Wet location under covered ceiling



▲ See Options and Finishes pages for a list of additional finishes and equipment.

Vantage reserves the right to change components, finishes or design details in any manner which does not alter the installed appearance or reduce performance and intended function.

**Vantage**



**Luminaires**

76 Community Avenue Plainfield, CT 06374  
 voice (860)564.4512 fax (860)564.4854  
 www.vantageitg.com

07/07

# Photometric Information

**Product Number:** AGVDB8INC150PAR38-SCL

**Housing:** Extruded Aluminum, Medium Base Porcelain Socket

**Reflector:** 8" Vertical Mount Clear "Alzak" Reflector

**LTL Test Number:** 06868

**Lamp(s) Source:** (1) 150W PAR38/CAP/FL Halogen rated at 2200 lumens

**Total Luminaire Efficiency:** 93.6%

**CIE Type:** Direct

**Luminaire Spacing Criterion:** 0.5

**Luminous Diameter:** 7.500

## Zonal Lumen Summary

ZONE	LUMENS	%LAMP	%FIXTURE
0- 30	1921	87.3	93.3
0- 40	2050	93.2	99.6
0- 60	2059	93.6	100.0
0- 90	2059	93.6	100.0
90-180	0	0.0	0.0
0-180	2059	93.6	100.0

### Cone of Light

Ft. Below	Fc Nadir	Dia @50%
6.0	156.9	3.4
8.0	89.4	4.6
10.0	57.2	5.7
12.0	39.7	6.8
14.0	29.2	8.0
16.0	22.4	9.1

## Coefficients of Utilization

RC	80				70				50				30				10				0
RW	70	50	30	10	70	50	30	10	50	30	10	50	30	10	50	30	10	50	30	10	0
0	111111111111	109109109109	104104104	100100100	96	96	96	94													
1	108106105103	106104103102	101	99	98	97	96	96	94	93	93	91									
2	105102100	103101	98	96	98	96	94	95	94	92	93	91	90	89							
3	102	99	96	93	101	97	95	93	95	93	91	93	91	90	91	90	89	87			
4	100	95	92	90	98	94	92	89	93	90	88	91	89	87	89	88	86	85			
5	97	92	89	86	96	92	88	86	90	87	85	89	86	85	87	86	84	83			
6	95	90	86	84	94	89	86	84	88	85	83	87	85	83	86	84	82	81			
7	92	87	84	81	92	87	83	81	86	83	81	85	82	80	84	82	80	79			
8	90	85	81	79	89	84	81	79	83	81	78	83	80	78	82	80	78	77			
9	88	82	79	77	87	82	79	77	81	78	76	81	78	76	80	78	76	75			
10	86	80	77	75	85	80	77	75	79	76	74	79	76	74	78	76	74	73			

