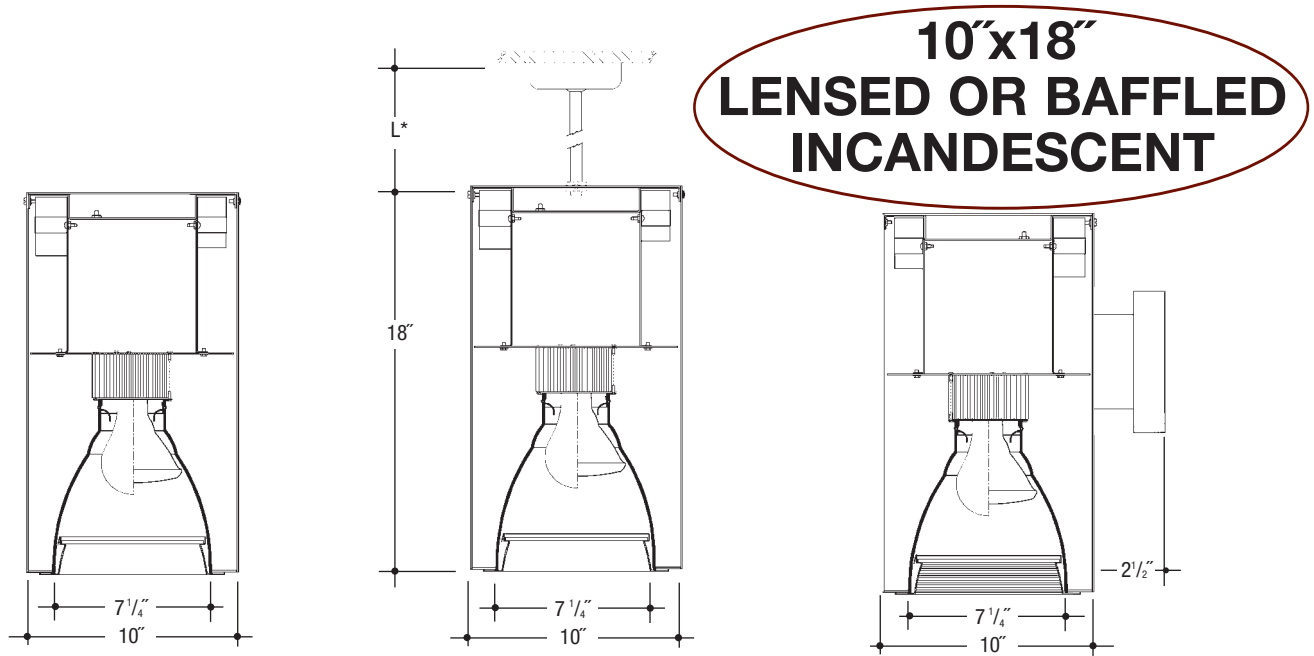


Architectural Cylinders

Job Name _____

Type _____



VC1018INC – Ceiling Mount

VP1018INC – Pendant Mount

VW1018INC – Wall Mount

Cylinder – Incandescent (PAR38; PAR30; A23; A21 Lamp) Specular Clear “Alzak” Reflector Lensed or Baffled Lens

Catalog Number

	Wattage	Voltage	Finish	Splay	Lens
VC1018NC					
VP1018INC	200W MAX. A23	1	WHT	SCL	11
VW1018INC	150W A21 100W PAR30		BLK BZ CS	SGO SCL/BL SCL/WH	14 16

Specifications

Housing – .064” thick spun aluminum cylinder. Polyester powdercoat exterior finish with factory standard finishes White (WHT), Black (BLK), Bronze (BZ), Camero Silver (CS).

Socket– Pulse Rated, glazed porcelain, medium base with nickel plated brass screw shell. *UL Listed.*

Reflector – Heavy gauge hand spun aluminum reflector with a specular clear “Alzak” finish or baffled splay/lens holder. Rolled polished flange (Factory Standard) or flange to match cylinder color.

Pendant – Pendant mount accepts slope ceilings with a 45° swivel adjustment.
L* – Factory Standard stem length is 12”.

Wall Bracket – Cast Aluminum Construction.

Voltage

1 120 Volt

Splay/Lens Options ▲

- 11 Tempered Clear Lens
- 14 Tempered C73 Prismatic Lens
- 16 Tempered Fresnel Lens
- SCL Specular Clear “Alzak”
- SGO Specular Gold “Alzak”
- SCL/BL Black Baffle
- SCL/WH White Baffle

Features

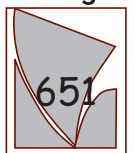
Manufactured and Listed to UL 1598, ETL and CSA standards.
Suitable for Damp Locations
Wet location under covered ceiling



▲ See Options and Finishes pages for a list of additional finishes and equipment.

Vantage reserves the right to change components, finishes or design details in any manner which does not alter the installed appearance or reduce performance and intended function.

Vantage



Luminaires

76 Community Avenue Plainfield, CT 06374
voice (860)564.4512 fax (860)564.4854
www.vantageitg.com

06/07