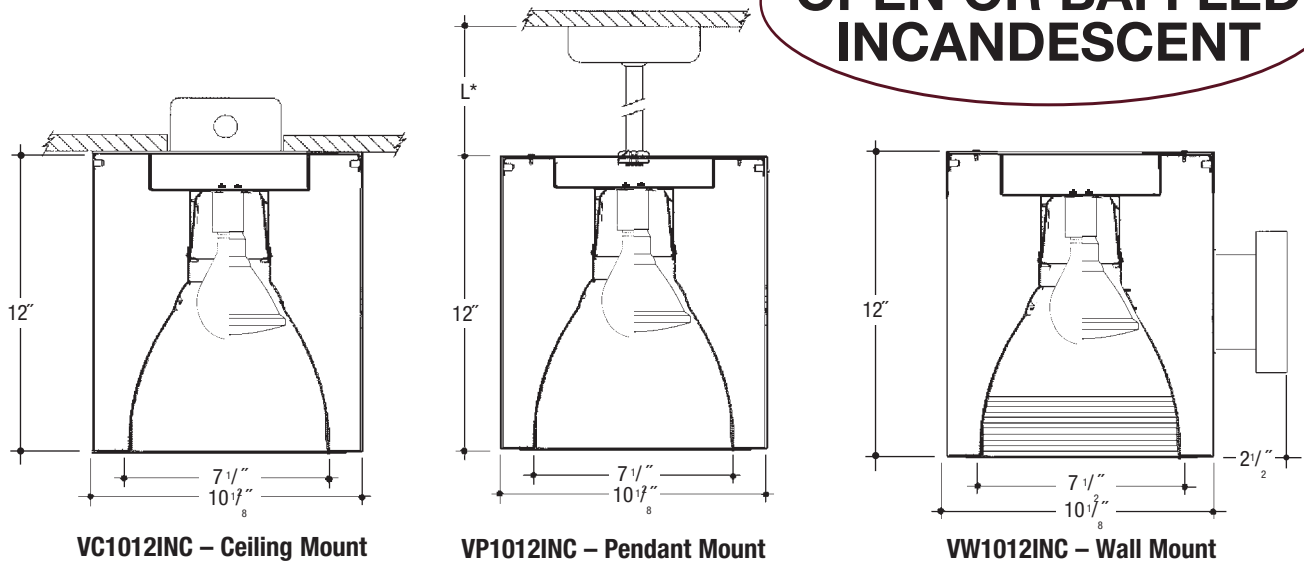


# Architectural Cylinders

Job Name \_\_\_\_\_

Type \_\_\_\_\_

**10"x12"  
OPEN OR BAFFLED  
INCANDESCENT**



**VC1012INC – Ceiling Mount**

**VP1012INC – Pendant Mount**

**VW1012INC – Wall Mount**

**Cylinder – Incandescent (BR40; PAR38; PAR30; A23; A21 Lamp) Specular Clear “Alzak” Reflector or Multi-Groove Baffle**  
**Catalog Number**

	Wattage	Voltage	Finish	Reflector
<b>VC1012INC</b>				
<b>VW1012INC</b>	300W MAX. BR40	1	WHT	SCL
<b>VP1012INC</b>	250W PAR38		BLK	SGC
	200W A23		BZ	SCL/BL
	150W A21		CS	SCL/WH
	100W PAR30			

## Specifications

**Housing** – .064" thick spun aluminum cylinder. Polyester powdercoat exterior finish with factory standard finishes White (WHT), Black (BLK), Bronze (BZ), Camero Silver (CS).

**Socket**– Pulse Rated, glazed porcelain, medium base with nickel plated brass screw shell. *UL Listed.*

**Reflector** – Heavy gauge hand spun aluminum reflector with a specular “Alzak” finish or multi-groove baffle. Rolled polished flange.

**Pendant** – Pendant mount accepts slope ceilings with a 45° swivel adjustment.  
 L\* – Factory Standard stem length is 12".

**Wall Bracket** – Cast Aluminum Construction.

## Voltage

1 120 Volt

## Reflector Options ▲

**SCL** Specular Clear “Alzak” with Polished Flange  
**SGC** Soft Glow Clear “Alzak” with Polished Flange  
**SCL/BL** Specular Clear “Alzak” with Black Baffle  
**SCL/WH** Specular Clear “Alzak” with White Baffle

## Features

Manufactured and Listed to UL 1598,  
 ETL and CSA standards.  
*Suitable for Damp Locations*  
*Wet location under covered ceiling*



▲ See Options and Finishes pages for a list of additional finishes and equipment.

Vantage reserves the right to change components, finishes or design details in any manner which does not alter the installed appearance or reduce performance and intended function.

76 Community Avenue Plainfield, CT 06374  
 voice (860) 564.4512 fax (860) 564.4854  
 www.vantageitg.com

06/07



**VANTAGE**

# Photometric Information

**Product Number:** VC1012INC150PAR38/SCL  
**Frame In Kit:** 10 x 12" Vertical Mount Incandescent  
**Reflector:** 8" Vertical Mount Clear "Alzak" Reflector  
**LTL Test Number:** 06868  
**Lamp(s) Source:** (1) 150W PAR38/CAP/FL Halogen rated at 2200 lumens  
**Total Luminaire Efficiency:** 93.6%  
**CIE Type:** Direct  
**Luminaire Spacing Criterion:** 0.5  
**Luminous Diameter:** 7.500

## Zonal Lumen Summary

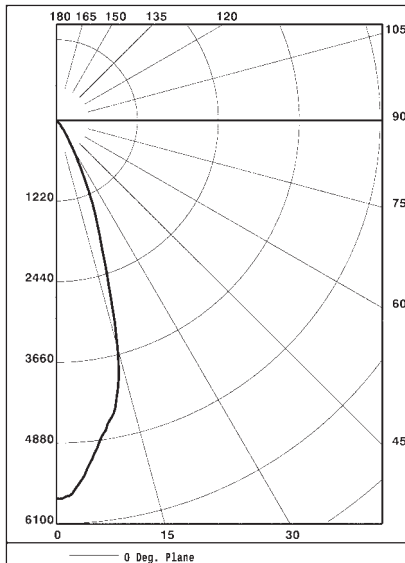
ZONE	LUMENS	%LAMP	%FIXTURE
0- 30	1921	87.3	93.3
0- 40	2050	93.2	99.6
0- 60	2059	93.6	100.0
0- 90	2059	93.6	100.0
90-180	0	0.0	0.0
0-180	2059	93.6	100.0

## Cone of Light

Ft. Below	Fc Nadir	Dia @50%
6.0	15.9	3.4
8.0	89.4	4.6
10.0	57.2	5.7
12.0	39.7	6.8
14.0	29.2	8.0
16.0	22.4	9.1

## Coefficients of Utilization

RC	80				70				50				30				10				0		
	70	50	30	10	70	50	30	10	50	30	10	50	30	10	50	30	10	50	30	10	0		
0	111111111111	109109109109	104104104	100100100	96	96	96	94															
1	108106105103	106104103102	101	99	98	97	96	96	94	93	93	91											
2	105102100	97	103101	98	96	98	96	94	95	94	92	93	91	90	89								
3	102	99	96	93	101	97	95	93	95	93	91	93	91	90	91	90	89	87					
4	100	95	92	90	98	94	92	89	93	90	88	91	89	87	89	88	86	85					
5	97	92	89	86	96	92	88	86	90	87	85	89	86	85	87	86	84	83					
6	95	90	86	84	94	89	86	84	88	85	83	87	85	83	86	84	82	81					
7	92	87	84	81	92	87	83	81	86	83	81	85	82	80	84	82	80	79					
8	90	85	81	79	89	84	81	79	83	81	78	83	80	78	82	80	78	77					
9	88	82	79	77	87	82	79	77	81	78	76	81	78	76	80	78	76	75					
10	86	80	77	75	85	80	77	75	79	76	74	79	76	74	78	76	74	73					



**VANTAGE**

08/07