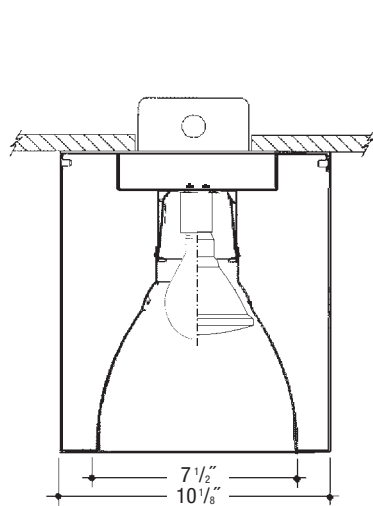


Architectural Cylinders

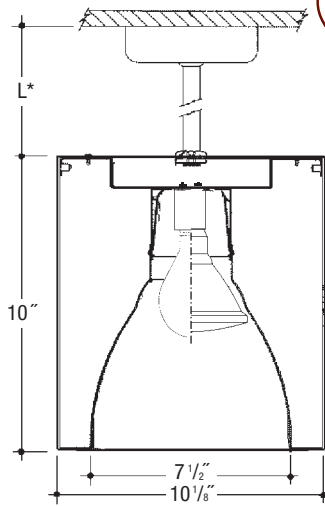
Job Name _____

Type _____

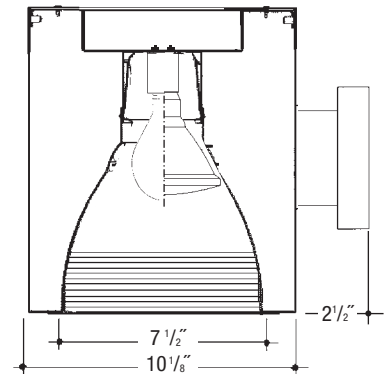
**10"x10"
OPEN OR BAFFLED
INCANDESCENT**



VC1010INC – Ceiling Mount



VP1010INC – Pendant Mount



VW1010INC – Wall Mount

Cylinder – Incandescent (BR40; PAR38; PAR30; A23; A21 Lamp) Specular Clear “Alzak” Reflector or Multi-Groove Baffle
Catalog Number

	Wattage	Voltage	Finish	Reflector
VC1010 INC	300W MAX. BR40	1	WHT	SCL
VW1010 INC	250W PAR38		BLK	SGO
VP1010 INC	200W A23		BZ	SCL/BL
	150W A21		CS	SCL/WH
	100W PAR30			

Specifications

Housing – .064" thick spun aluminum cylinder. Polyester powdercoat exterior finish with factory standard finishes White (WHT), Black (BLK), Bronze (BZ), Camero Silver (CS).

Socket– Pulse Rated, glazed porcelain, medium base with nickel plated brass screw shell. *UL Listed.*

Reflector – Heavy gauge hand spun aluminum reflector with a specular “Alzak” finish or multi-groove baffle. Rolled polished flange.

Pendant – Pendant mount accepts slope ceilings with a 45° swivel adjustment.
 L* – Factory Standard stem length is 12".

Wall Bracket – Cast Aluminum Construction.

Voltage

1 120 Volt

Reflector Options ▲

SCL Specular Clear “Alzak” with Polished Flange
SGO Specular Gold “Alzak” with Polished Flange
SCL/BL Specular Clear “Alzak” with Black Baffle
SCL/WH Specular Clear “Alzak” with White Baffle

Features

Manufactured and Listed to UL 1598, ETL and CSA standards.
 Suitable for Damp Locations
 Wet location under covered ceiling



▲ See Options and Finishes pages for a list of additional finishes and equipment.

Vantage reserves the right to change components, finishes or design details in any manner which does not alter the installed appearance or reduce performance and intended function.

Vantage



Luminaires

76 Community Avenue Plainfield, CT 06374
 voice (860)564.4512 fax (860)564.4854
 www.vantageitg.com

06/07

Photometric Information

Product Number: VC1010INC150PAR38/SCL

Cylinder: 10"x10", Vertical Mount Incandescent

Reflector: 8" Vertical Mount Clear "Alzak" Reflector

LTL Test Number: 06868

Lamp(s) Source: (1) 150W PAR38/CAP/FL Halogen rated at 2200 lumens

Total Luminaire Efficiency: 93.6%

CIE Type: Direct

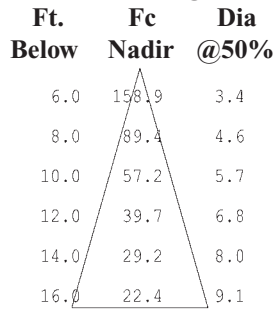
Luminaire Spacing Criterion: 0.5

Luminous Diameter: 7.500

Zonal Lumen Summary

ZONE	LUMENS	%LAMP	%FIXTURE
0- 30	1921	87.3	93.3
0- 40	2050	93.2	99.6
0- 60	2059	93.6	100.0
0- 90	2059	93.6	100.0
90-180	0	0.0	0.0
0-180	2059	93.6	100.0

Cone of Light



Coefficients of Utilization

RC	80				70				50				30				10				0
	70	50	30	10	70	50	30	10	50	30	10	50	30	10	50	30	10	0			
0	11	11	11	11	11	11	11	11	11	11	11	11	11	11	11	11	11	11	94		
1	108	106	105	103	106	104	103	102	101	99	98	97	96	96	94	93	93	91	91		
2	105	102	100	97	103	101	98	96	98	96	94	95	94	92	93	91	90	89	89		
3	102	99	96	93	101	97	95	93	95	93	91	93	91	90	91	90	89	87	87		
4	100	95	92	90	98	94	92	89	93	90	88	91	89	87	89	88	86	85	85		
5	97	92	89	86	96	92	88	86	90	87	85	89	86	85	87	86	84	83	83		
6	95	90	86	84	94	89	86	84	88	85	83	87	85	83	86	84	82	81	81		
7	92	87	84	81	92	87	83	81	86	83	81	85	82	80	84	82	80	79	79		
8	90	85	81	79	89	84	81	79	83	81	78	83	80	78	82	80	78	77	77		
9	88	82	79	77	87	82	79	77	81	78	76	81	78	76	80	78	76	75	75		
10	86	80	77	75	85	80	77	75	79	76	74	79	76	74	78	76	74	73	73		

