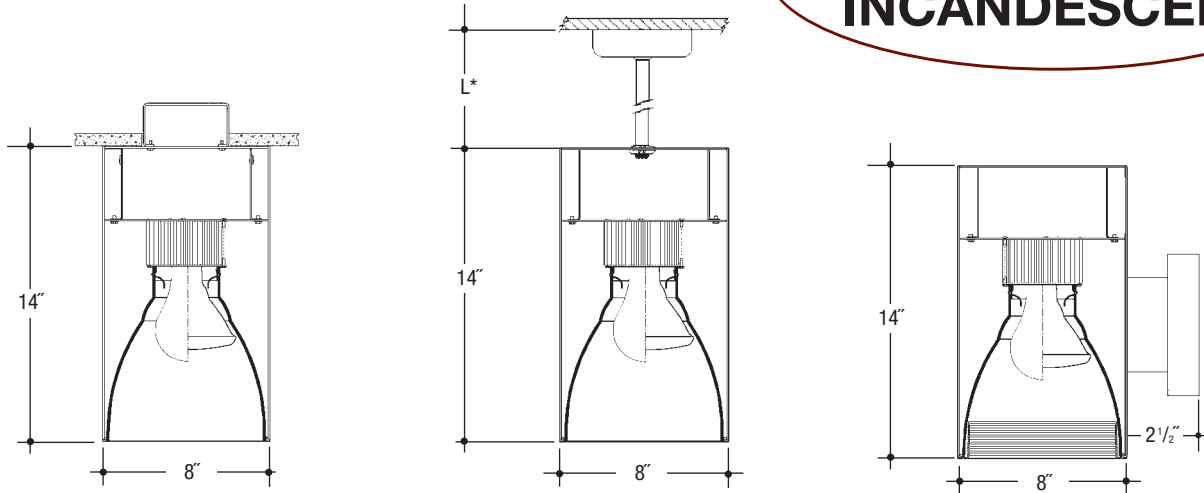


# Architectural Cylinders

Job Name \_\_\_\_\_

Type \_\_\_\_\_

**8"x14"**  
**OPEN OR BAFFLED**  
**INCANDESCENT**



**VC814INC – Ceiling Mount**

**VP814INC – Pendant Mount**

**VW814INC – Wall Mount**

**Cylinder – Incandescent (R40; BR40; PAR38; PAR30; A23; A21 Lamp) Specular Clear “Alzak” Reflector or Multi-Groove Baffle**

Catalog Number

	Wattage	Voltage	Finish	Reflector	Options
<b>VC814INC</b>					
<b>VP814INC</b>	250W MAX. PAR38	1	WHT	SCL	
<b>VW814INC</b>	200W A23		BLK	SGO	
	150W A21		BZ	SCL/BL	
	100W PAR30		CS	SCL/WH	
				WHT/BL	
				WHT/WH	

**Specifications**

**Housing** – .064” thick spun aluminum cylinder. Polyester powdercoat exterior finish with factory standard finishes White (WHT), Black (BLK), Bronze (BZ), Camero Silver (CS).

**Socket**– Pulse Rated, glazed porcelain, medium base with nickel plated brass screw shell. *UL Listed.*

**Reflector** – Heavy gauge hand spun aluminum reflector with a specular “Alzak” finish or multi-groove baffle.

**Pendant** – Pendant mount accepts slope ceilings with a 45° swivel adjustment.  
L\* – Factory Standard stem length is 12”.

**Wall Bracket** – Cast Aluminum Construction.

**Voltage**

1 120 Volt

**Reflector Options ▲**

- SCL** Specular Clear “Alzak” with White Flange
- SGO** Specular Gold “Alzak” with White Flange
- SCL/BL** Specular Clear “Alzak” with Black Baffle
- SCL/WH** Specular Clear “Alzak” with White Baffle
- WHT/BL** White Reflector with Black Baffle and Polished Flange
- WHT/WH** White Reflector with White Baffle and Polished Flange

**Options ▲**

**Features**

Manufactured and Listed to UL 1598, ETL and CSA standards.  
*Suitable for Damp Locations*  
*Wet location under covered ceiling*



▲ See Options and Finishes pages for a list of additional finishes and equipment.

Vantage reserves the right to change components, finishes or design details in any manner which does not alter the installed appearance or reduce performance and intended function.

Vantage



Luminaires

76 Community Avenue Plainfield, CT 06374  
voice (860)564.4512 fax (860)564.4854  
www.vantageitg.com

06/07