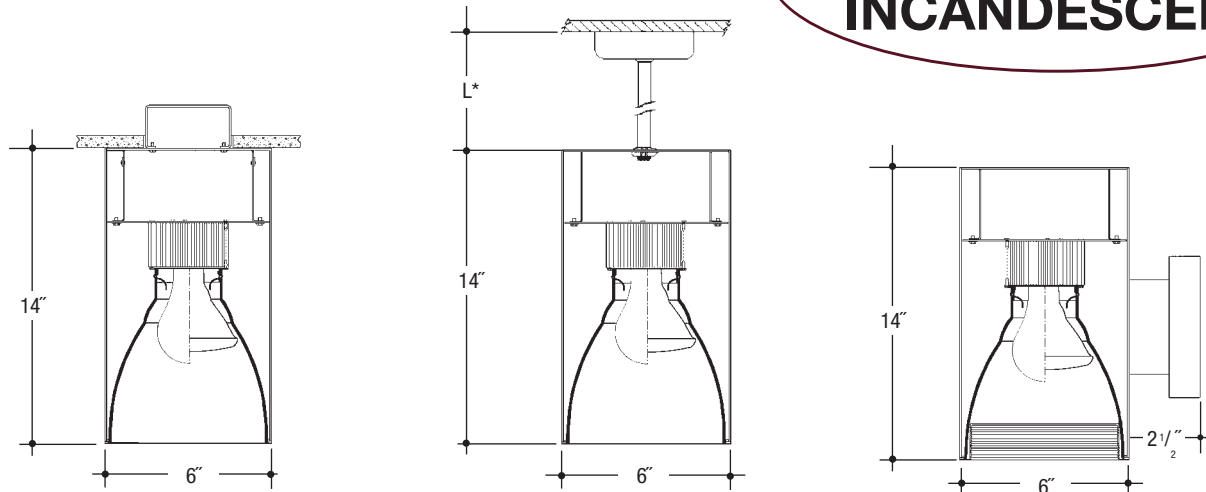


Architectural Cylinders

Job Name _____

Type _____

6"x14"
OPEN OR BAFFLED
INCANDESCENT



VC614INC – Ceiling Mount

VP614INC – Pendant Mount

VW614INC – Wall Mount

Cylinder – Incandescent (PAR30; A23; A21 Lamp) Specular Clear “Alzak” Reflector or Multi-Groove Baffle

Catalog Number

VC614INC
VP614INC
VW614INC

Wattage

200W MAX. A23
150W A21
100W PAR30

Voltage

1

Finish

WHT
BLK
BZ
CS

Reflector

SCL
SGC
SCL/BL
SCL/WH

Options

Specifications

Housing – .064” thick spun aluminum cylinder. Polyester powdercoat exterior finish with factory standard finishes White (WHT), Black (BLK), Bronze (BZ), Camero Silver (CS).

Socket– Pulse Rated, glazed porcelain, medium base with nickel plated brass screw shell. *UL Listed.*

Reflector – Heavy gauge hand spun aluminum reflector with a specular “Alzak” finish or multi-groove baffle.

Pendant – Pendant mount accepts slope ceilings with a 45° swivel adjustment.
L* – Factory Standard stem length is 12”.

Wall Bracket – Cast Aluminum Construction.

Voltage

1 120 Volt

Reflector Options ▲

SCL Specular Clear “Alzak” with White Flange
SGC Soft Glow Clear “Alzak” with White Flange
SCL/BL Specular Clear “Alzak” with Black Baffle
SCL/WH Specular Clear “Alzak” with White Baffle

Options ▲

Features

Manufactured and Listed to UL 1598, ETL and CSA standards.
Suitable for Damp Locations
Wet location under covered ceiling



▲ See Options and Finishes pages for a list of additional finishes and equipment.

Vantage reserves the right to change components, finishes or design details in any manner which does not alter the installed appearance or reduce performance and intended function.

76 Community Avenue Plainfield, CT 06374
voice (860) 564.4512 fax (860) 564.4854
www.vantageitg.com

07/10



VANTAGE