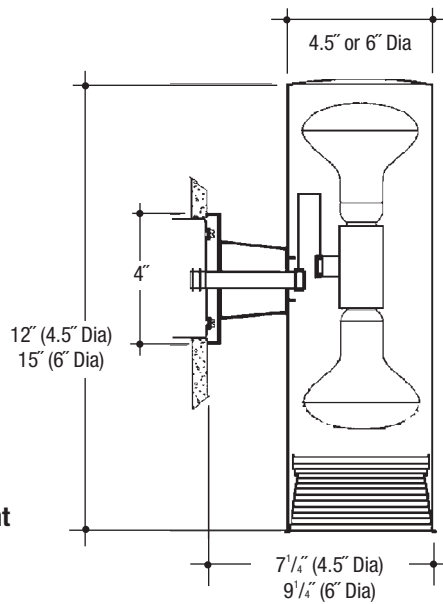
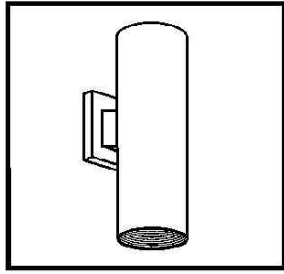


Architectural Cylinders

Job Name _____

Type _____



**4.5" OR 6"
OPEN OR BAFFLED
INCANDESCENT
UP/DOWN**

VW4512INC – Wall Mount
VW615INC – Wall Mount

Cylinder – Wall Mounted Incandescent Up/Down (PAR30; BR40 Lamp) Specular Clear “Alzak” Cone or Step Baffle

Catalog Number

	Wattage	Voltage	Finish	Reflector
VW4512INC	85W MAX. BR30 75W PAR30	1	WHT BLK BZ	BL WH SCL
VW615INC	120W MAX. BR40 100W PAR30			

Specifications

Housing – .064" thick spun aluminum cylinder. Polyester powdercoat exterior finish with factory standard finishes White (WHT), Black (BLK), Bronze (BZ).

Socket– Pulse Rated, glazed porcelain, medium base with nickel plated brass screw shell. *UL Listed.*

Reflector – Heavy gauge hand spun aluminum cone with a specular “Alzak” finish or Phenolic Step Baffle. Convex sealed, tempered lens up.

Wall Bracket – Cast Aluminum Construction.

Voltage

1 120 Volt

Reflector Options ▲

BL Black Step Baffle
WH White Step Baffle
SCL Specular Clear “Alzak” cone

Features

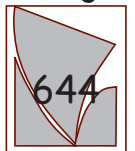
Manufactured and Listed to UL 1598, ETL and CSA standards. *Suitable for Wet Locations*



▲ See Options and Finishes pages for a list of additional finishes and equipment.

Vantage reserves the right to change components, finishes or design details in any manner which does not alter the installed appearance or reduce performance and intended function.

Vantage



Luminaires

76 Community Avenue Plainfield, CT 06374
voice (860)564.4512 fax (860)564.4854
www.vantageitg.com

06/07