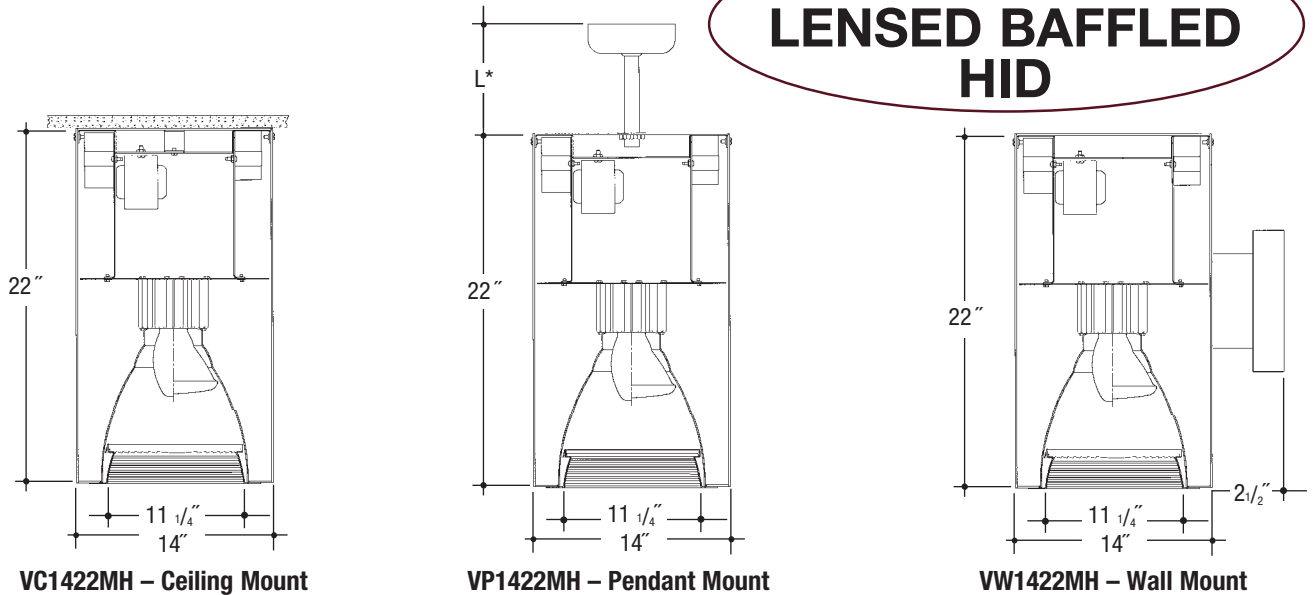


# Architectural Cylinders

Job Name \_\_\_\_\_

Type \_\_\_\_\_

**14"x22"  
LENSED BAFFLED  
HID**



**VC1422MH – Ceiling Mount**

**VP1422MH – Pendant Mount**

**VW1422MH – Wall Mount**

**Cylinder – HID (ED28; ED17; PAR38 Enclosed Rated\* Lamp). \*Note: ‘Enclosed Fixture Rated’ lamp must be used. Specular Clear “Alzak” Reflector Lensed and Baffled**

Catalog Number

	Wattage	Ballast	Voltage	Finish	Splay	Lens	Options
<b>VC1422MHE</b>							
<b>VP1422MHE</b>							
<b>VW1422MHE</b>	250W MAX. ED28** 175W ED17 150W PAR38, ED17 100W PAR38, ED17	E	1 2 4	WHT BLK BZ CS	SCL/BL SCL/WH	11 14 16	QR QS

**For PAR Lamp – Replace VC1422MHE with VC1422MHEP**

**Mogul Base – Replace VC1422MHE with VC1422MHEM**

**HPS – Replace MH with HPS–VC1422HPSE**

**\*\*HPS – High Pressure Sodium available up to 250 Watt ED18 Mogul Base.**

## Specifications

**Housing** – .064" extruded aluminum cylinder. Polyester powdercoat exterior finish with factory standard finishes of White (WHT), Black (BLK), Bronze (BZ), Camero Silver (CS).

**Socket** – Open Rated, Pulse Rated, 4KV, medium or mogul base porcelain with nickel plated brass screw shell.

**Ballast** – 50/60Hz Multi-tap electronic ballast to operate from range of 120V to 277V +/- 10%. Minimum starting temperature of -30°C/-20°F. *UL Listed* component.

**Reflector** – Heavy gauge hand spun aluminum reflector with a specular clear “Alzak” finish and baffled splay/lens holder. (Factory Standard) Flange painted to match cylinder color.

**Pendant** – Pendant mount accepts slope ceilings with a 45° swivel adjustment. L\* – Factory Standard stem length is 12’.

**Wall Bracket** – Cast Aluminum Construction.

## Voltage

1	120 Volt
2	277 Volt
4	208 Volt

## Ballast

E	Electronic
---	------------

## Splay/Lens Options ▲

11	Tempered Clear Lens
14	Tempered C73 Prismatic Lens
16	Tempered Fresnel Lens
SCL/BL	Black Baffle
SCL/WH	White Baffle

## Options ▲

QR	Quartz Restrike
QS	Quartz Socket

## Features

Manufactured and Listed to UL 1598, ETL and CSA standards.  
Suitable for Damp Locations  
Wet location under covered ceiling



▲ See Options and Finishes pages for a list of additional finishes and equipment.

Vantage reserves the right to change components, finishes or design details in any manner which does not alter the installed appearance or reduce performance and intended function.

