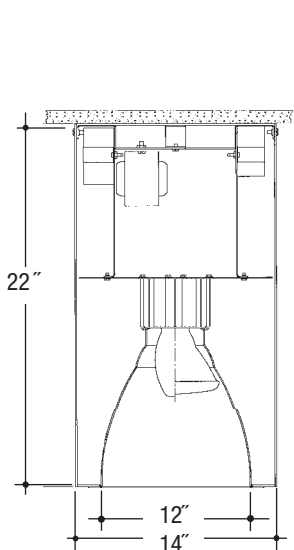


# Architectural Cylinders

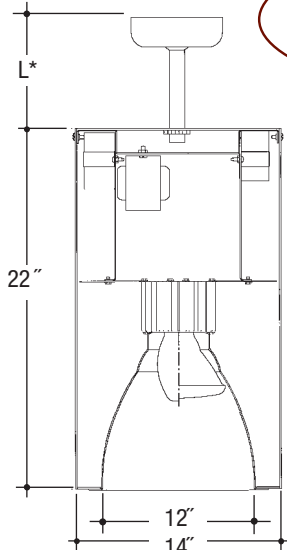
Job Name \_\_\_\_\_

Type \_\_\_\_\_

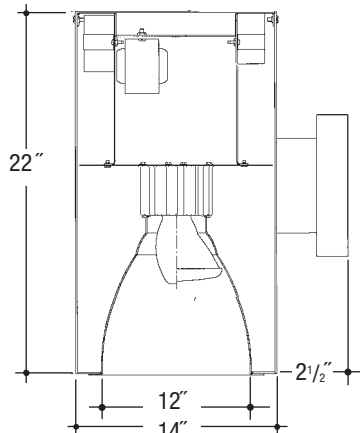
**14"x22" OPEN HID**



**VC1422MH – Ceiling Mount**



**VP1422MH – Pendant Mount**



**VW1422MH – Wall Mount**

**Cylinder – HID (ED28; ED17; PAR38 Open Rated\* Lamp). \*Note: 'Open Fixture Rated' lamp must be used. Specular Clear "Alzak" Reflector**

Catalog Number

**VC1422MHO**

Wattage

Ballast

Voltage

Finish

Reflector

Options

**VP1422MHO**

400W MAX. ED28

E

1

WHT

SCL

QR

**VW1422MHO**

250W ED28

2

BLK

SGO

QS

175W ED17

3

BZ

WHT

150W PAR38, ED17

4

CS

100W PAR38, ED17

**For PAR Lamp – Replace VC1422MHO with VC1422MHOP**

**Mogul Base – Replace VC1422MHO with VC1422MHOM**

**HPS – Replace MH with HPS–VC1422HPSO**

**HPS – High Pressure Sodium available up to 400 Watt ED28 Mogul Base.**

**Specifications**

**Housing** – .064" extruded aluminum cylinder. Polyester powdercoat exterior finish with factory standard finishes of White (WHT), Black (BLK), Bronze (BZ), Camero Silver (CS).

**Socket** – Open Rated, Pulse Rated, 4KV, medium or mogul base porcelain with nickel plated brass screw shell. *UL Listed.*

**Ballast** – 50/60Hz Multi-tap electronic ballast to operate from range of 120V to 277V +/- 10%. Minimum starting temperature of -30°C/-20°F. *UL Listed* component.

**Reflector** – Heavy gauge hand spun aluminum reflector with a specular "Alzak" low iridescent finish.

**Pendant** – Pendant mount accepts slope ceilings with a 45° swivel adjustment. L\* – Factory Standard stem length is 12".

**Wall Bracket** – Cast Aluminum Construction.

**Voltage**

- 1 120 Volt
- 2 277 Volt
- 3 347 Volt
- 4 208 Volt

**Ballast**

- E Electronic

**Reflector Options ▲**

- SCL Specular Clear "Alzak"
- SGO Specular Gold "Alzak"
- WHT White Reflector

**Options ▲**

- QR Quartz Restrike
- QS Quartz Socket

**Features**

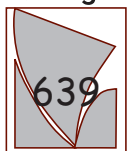
Manufactured and Listed to UL 1598, ETL and CSA standards. Suitable for Damp Locations Wet location under covered ceiling



▲ See Options and Finishes pages for a list of additional finishes and equipment.

Vantage reserves the right to change components, finishes or design details in any manner which does not alter the installed appearance or reduce performance and intended function.

**Vantage**



**Luminaires**

76 Community Avenue Plainfield, CT 06374  
 voice (860)564.4512 fax (860)564.4854  
 www.vantageitg.com

07/07

# Photometric Information

**Product Number:** VC1422MHOM250H/SCL  
**Cylinder:** 14" x 22" Vertical Mount Metal Halide  
**Reflector:** 12" Vertical Clear "Alzak" Reflector  
**LTL Test Number:** 08675  
**Lamp(s) Source:** (1) 250W M58 ED28 clear lamp rated at 20,500 lumens  
**Total Luminaire Efficiency:** 72.2%  
**CIE Type:** Direct  
**Luminaire Spacing Criterion:** 0.2  
**Luminous Diameter:** 12.00

### Zonal Lumen Summary

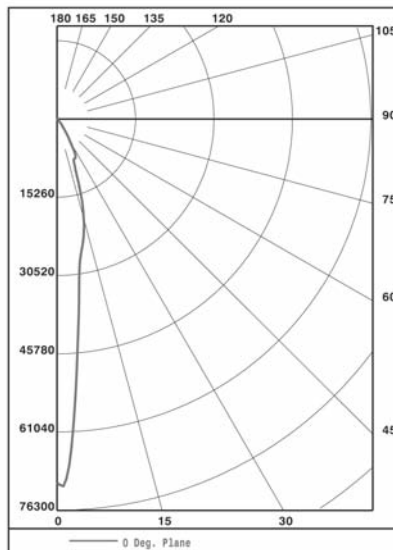
ZONE	LUMENS	%LAMP	%FIXTURE
0- 30	12886	62.9	87.1
0- 40	14525	70.9	98.2
0- 60	14797	72.2	100.0
0- 90	14797	72.2	100.0
90-180	0	0.0	0.0
0-180	14797	72.2	100.0

### Cone of Light

Ft. Below	Fc Nadir	Dia @50%
6.0	1970.1	1.4
8.0	1108.2	1.9
10.0	709.2	2.4
12.0	492.5	2.9
14.0	361.9	3.4
16.0	277.0	3.8

### Coefficients of Utilization

RC	80				70				50				30				10				0
	RW	70	50	30	10	RW	70	50	30	10	RW	70	50	30	10	RW	70	50	30	10	
0	86	86	86	86	84	84	84	84	80	80	80	77	77	77	74	74	74	72			
1	83	82	80	79	81	80	79	78	77	76	76	75	74	73	72	72	71	70			
2	81	78	76	74	79	77	75	74	75	73	72	73	72	71	71	70	69	68			
3	78	75	73	71	77	74	72	70	73	71	69	71	70	68	69	68	67	66			
4	76	73	70	68	75	72	69	67	70	68	67	69	67	66	68	66	65	64			
5	74	70	67	65	73	69	67	65	68	66	64	67	65	64	66	64	63	62			
6	72	68	65	63	71	67	65	63	66	64	62	65	63	62	65	63	62	61			
7	70	65	63	61	69	65	62	60	64	62	60	63	61	60	63	61	60	59			
8	68	63	60	58	67	63	60	58	62	60	58	62	59	58	61	59	58	57			
9	66	61	58	56	65	61	58	56	60	58	56	60	58	56	59	57	56	55			
10	64	59	57	55	64	59	56	55	59	56	54	58	56	54	58	56	54	54			



**Product Number:** VC1422MHOM320H/SCL  
**Cylinder:** 14" x 22" Vertical Mount Metal Halide  
**Reflector:** 12" Vertical Clear "Alzak" Reflector  
**LTL Test Number:** 08649  
**Lamp(s) Source:** (1) 320W M132 ED28 Pulse Start clear lamp rated at 34,000 lumens  
**Total Luminaire Efficiency:** 70.8%  
**CIE Type:** Direct  
**Luminaire Spacing Criterion:** 0.2  
**Luminous Diameter:** 12.00

### Zonal Lumen Summary

ZONE	LUMENS	%LAMP	%FIXTURE
0- 30	19987	58.8	83.1
0- 40	23491	69.1	97.6
0- 60	23997	70.6	99.7
0- 90	24063	70.8	100.0
90-180	0	0.0	0.0
0-180	24063	70.8	100.0

### Cone of Light

Ft. Below	Fc Nadir	Dia @50%
6.0	2500.1	1.3
8.0	1406.3	1.7
10.0	900.0	2.1
12.0	625.0	2.6
14.0	459.2	3.0
16.0	351.6	3.4

### Coefficients of Utilization

RC	80				70				50				30				10				0
	RW	70	50	30	10	RW	70	50	30	10	RW	70	50	30	10	RW	70	50	30	10	
0	84	84	84	84	82	82	82	82	79	79	79	75	75	75	72	72	72	71			
1	81	80	78	77	80	78	77	76	76	75	74	73	72	72	71	70	69	68			
2	79	76	74	72	77	75	73	71	73	71	70	71	70	68	69	68	67	66			
3	76	73	70	68	75	72	70	68	70	68	67	69	67	66	67	66	65	64			
4	74	70	67	65	73	69	67	65	68	66	64	66	65	63	65	64	62	62			
5	71	67	64	62	70	66	64	62	65	63	61	64	62	61	63	61	60	59			
6	69	65	62	59	68	64	61	59	63	61	59	62	60	58	61	60	58	57			
7	67	62	59	57	66	62	59	57	61	58	56	60	58	56	59	57	56	55			
8	65	60	57	54	64	59	56	54	59	56	54	58	56	54	57	55	54	53			
9	62	57	54	52	62	57	54	52	56	54	52	56	53	52	55	53	52	51			
10	60	55	52	50	60	55	52	50	54	52	50	54	52	50	54	51	50	49			

